

Touch-it XELO Automation glass 18,5

Datasheet



- **Made in Germany**
- **Multitouch**
- **Stainless Steel Housing**
- **VESA 100**

PANEL

LCD Size	18.5 inch (47.0 cm)	
Resolution	1366 x 768	1920 x 1080
Aspect Ratio	16 : 9	
Technology	TFT	
Colours	16.7M	
Backlight	LED	
Backlight Life Time	50,000 h	
Luminance*	300 cd/m ²	350 cd/m ²
Contrast Ratio*	1000 : 1	
Viewing Angle* (right/left/up/down)	89°/89°/85°/85°	89°/89°/89°/89°
Touch	Projected Capacitive Touch, Anti-Glare, Multitouch	

*The values are referring to the displays only.

SYSTEM

CPU	AMD® GX-415GA Quad Core™ 1.5 GHz 64 Bit, 2 MB Cache	Intel® Core™ i5-5350U Dual Core 1.8 GHz 64 Bit, 3 MB Cache
Chipset	Integrated in APU	Integrated in Intel® 5th Gen. Core™ i U-series
Graphic	Radeon HD 8330E 500 MHz	Intel® HD Graphics 6000 300 MHz
Memory	4 GB DDR3L / 8 GB DDR3L / 16 GB DDR3L (i5 only)	
Storage	32 / 64 / 128 / 256 / 512 GB MLC SSD / up to 1TB HDD	
BIOS	AMI BIOS, Supports ACPI Function	
Wake on LAN	Yes	
H/W Status Monitoring	Supports Power Supply Voltages and Temperature Monitoring	
CMOS Battery	Lithium Battery	
Operating System	Windows® Embedded Standard 7 (WS7P) Windows® Embedded Standard 7 (WS7E) Windows® 10 IoT Linux	
USV	1 x USV (Internal) TBD - Time	

Touch-it XELO Automation glass 18,5

Datasheet

STANDARD INTERFACES

USB	2 x USB Host 2.0 (Type A) 2 x USB Host 3.0
Ethernet	2 x 1 Gbit Ethernet
Communication	1 x RS-232 / RS-422 / RS-485 (BIOS setting)

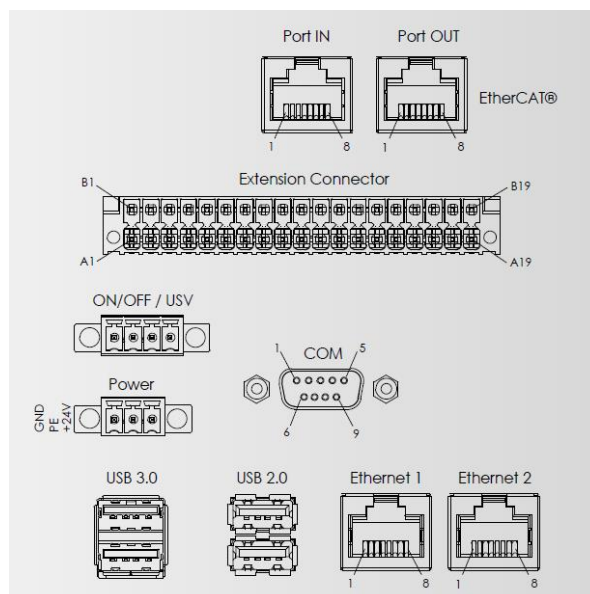
OPTIONAL INTERFACES

USB	1 x USB Host 2.0 (Front, Type A)
EtherCAT	2 x EtherCAT® Slave (Buttons / Switches / LEDs) 1 x In / 1 x Out
USV	1 x USV (external / Power Button external)
RFID	Elatec Nano Module Multi 125, 125kHz
Extension	8 x Individual Selectable Buttons / Switches / LEDs 1 x Emergency Stop (Connector: Phoenix DMC 1,5/19-G1F-3,5-LR P20THR)

POWER SUPPLY

Supply Voltage	24 VDC ± 20%	
Power Consumption (max*)	AMD® Quad Core: 45 W	Intel® Core™ i5: 50 W
Power Button	Yes (internal or external)	
Power Connector	Phoenix 3-pol MC 1,5/ 3-STF-3,5 BK (screwable) / Phoenix 3-pol MC 1,5/ 3-ST-3,5 BK	

*max. periphery consumption included (e.g. 1xUSB 2.0 equals 2.5W)



INTERFACES

Touch-it XELO Automation glass 18,5

Datasheet

EtherCAT I/O Mapping

Output

Output Byte 1 [0...5]
Pushbutton T1...T6 (LED)

Input

Input Byte 1 [0...5]
Pushbutton T1...T6 (A2)

Extension Connector Pinning

Extension Connector (Phoenix DMC 1,5/19-G1F-3,5-LR P20THR)							
PIN	Signal Name	PIN	Signal Name	PIN	Signal Name	PIN	Signal Name
A1	NOT A1	A6	T2 B1 (floating)	A11	T4 A2 (24 V)	A16	--
B1	NOT A2	B6	T2 B2 (floating)	B11	T4 LED (24 V)	B16	--
A2	NOT B1	A7	T2 A2 (24 V)	A12	T5 B1 (floating)	A17	--
B2	NOT B2	B7	T2 LED (24 V)	B12	T5 B2 (floating)	B17	--
A3	NOT C1	A8	T3 B1 (floating)	A13	T5 A2 (24 V)	A18	GND
B3	NOT C2	B8	T3 B2 (floating)	B13	T5 LED (24 V)	B18	24Vdc
A4	T1 B1 (floating)	A9	T3 A2 (24 V)	A14	T6 B1 (floating)	A19	GND
B4	T1 B2 (floating)	B9	T3 LED (24 V)	B14	T6 B2 (floating)	B19	24Vdc
A5	T1 A2 (24 V)	A10	T4 B1 (floating)	A15	T6 A2 (24 V)	--	--
B5	T1 LED (24 V)	B10	T4 B2 (floating)	B15	T6 LED (24 V)	--	--

The Extension Connector must be connected with 24Vdc and GND separately!

COM Connector Pinning

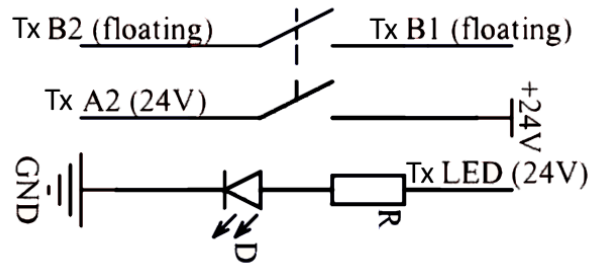
PIN	Signal Name COM		
	RS-232	RS-422	RS-485
1	DCD	TX-	DATA-
2	RX	TX+	DATA+
3	TX	RX+	NC
4	DTR	RX-	NC
5	Ground	Ground	Ground
6	DSR	NC	NC
7	RTS	NC	NC
8	CTS	NC	NC
9	RI	NC	NC

External USV / Power Button

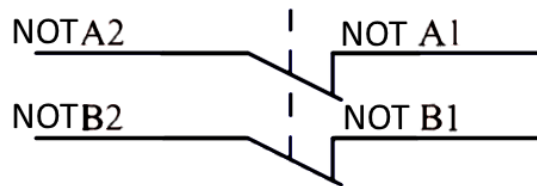
Touch-it XELO Automation glass 18,5

Datasheet

PUSHBUTTON



EMERGENCY STOP



Electrical Parameter

Operating Voltage AC/DC (min./max.)	5V / 35V
Operating Current AC/DC (min./max.)	1mA / 100mA
Power Consumption (max.)	250 mW

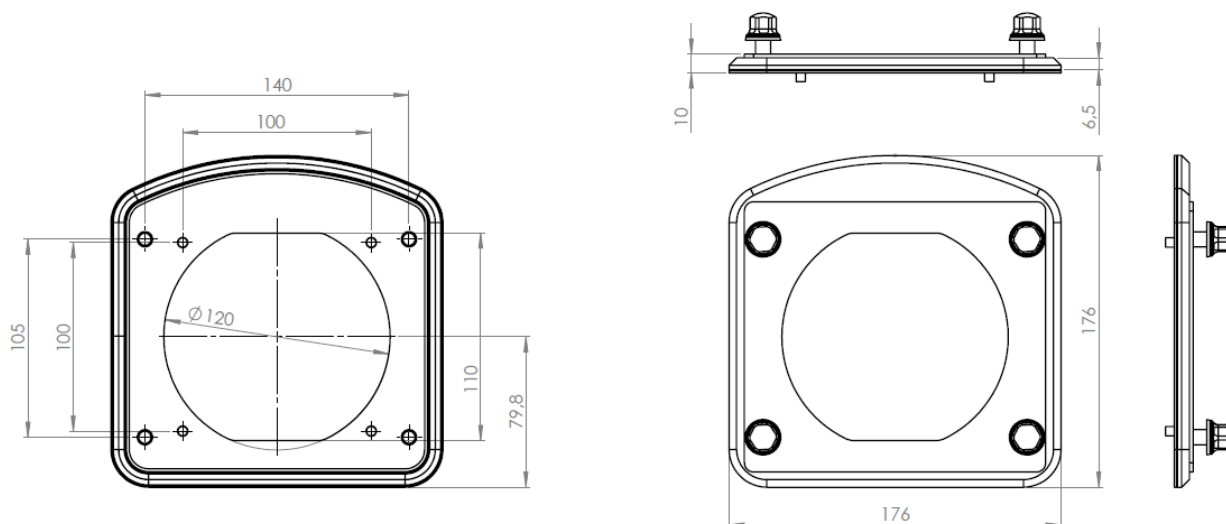
Touch-it XELO Automation glass 18,5

Datasheet

MECHANICAL & ENVIRONMENTAL

Housing Front	Glass, Black Frame
Housing	Stainless Steel
Dimensions	486.2 mm x 382.8 mm x 76.2 mm
Mounting	VESA 100 Customized Mounting possible
Weight	TBD ~10 kg
Cooling	Passive
Operating Temperature	0 ~ 40 °C
Storage Temperature	-10 ~ 70 °C
Humidity	5 ~ 80% (non condensing)
Protection Class	IP69
Certification	CE, EN55032 Class A, EN55024

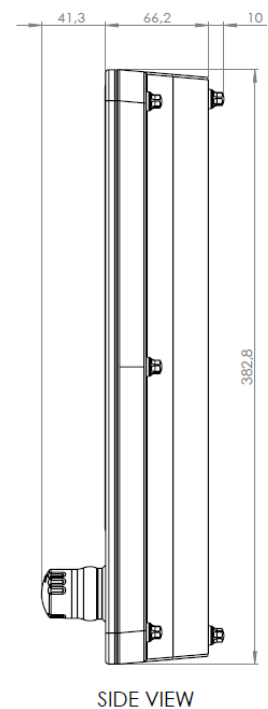
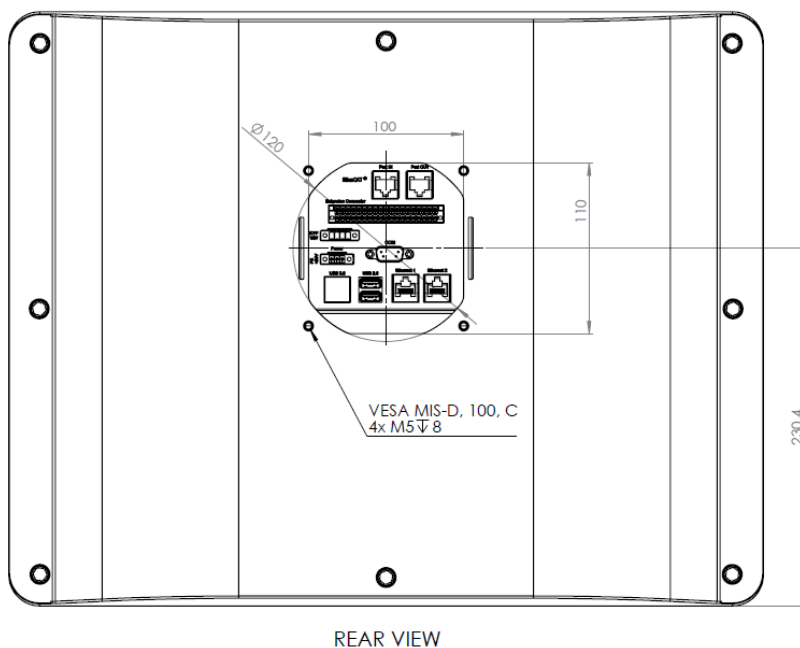
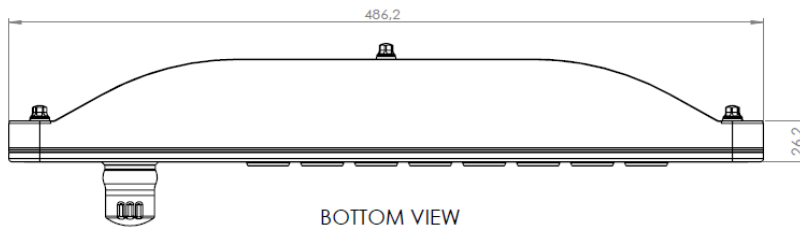
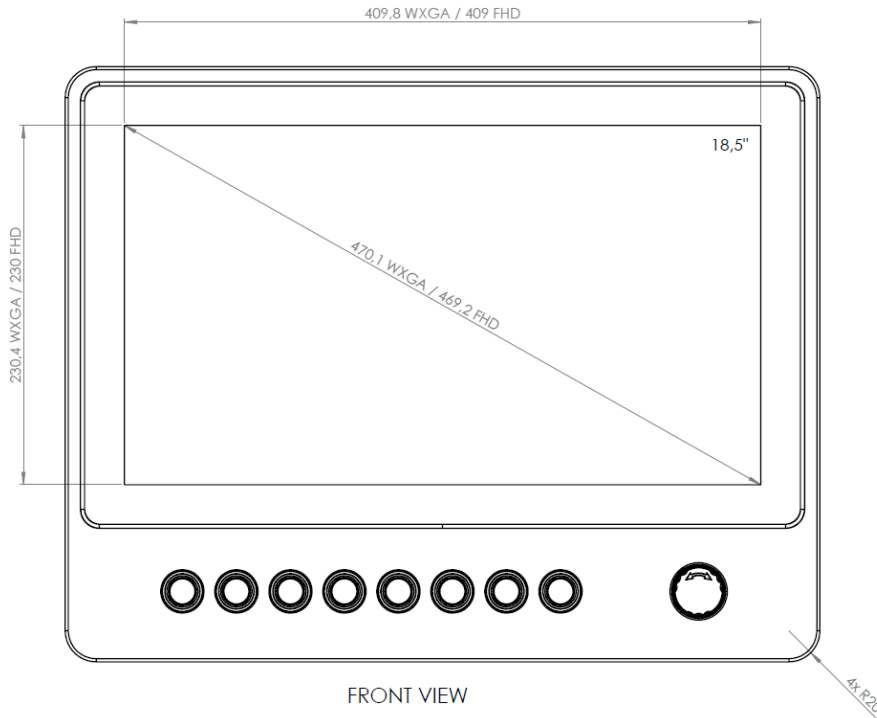
Customized Mounting with adapter plate could be requested (if VESA100 is not desired or possible).
For example:



Touch-it XELO Automation glass 18,5

Datasheet

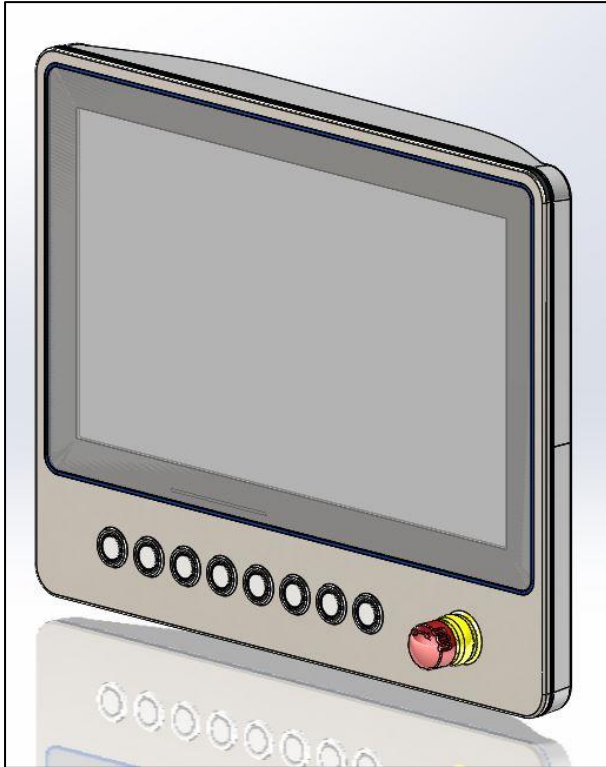
DIMENSIONS



Touch-it XELO Automation glass 18,5

Datasheet

SPECIFICATION AUTOMATION GLASS



The product series Automation glass can be offered in variant XELO, Monitor and SMART Monitor.

Free decision in design, colour, description and piece number of control elements. Control elements are part of model range TBD.

One RFID reader and one protected USB port are available instead of each two push buttons.

An integrated logo on the glass front is possible if requested.



Touch-it XELO Automation glass 18,5

Datasheet

ORDERING INFORMATION

Art. No.:	Display		CPU		RAM			Storage						
	1366 x 768	1920 x 1080	AMD Quad-Core	Intel i5 5 th Gen.	4 GB	8 GB	16 GB (i5 only)	32 GB SSD	64 GB SSD	128 GB SSD	256 GB SSD	512 GB SSD	500 GB HDD	
E741824	<input type="checkbox"/>	<input checked="" type="checkbox"/>	<input checked="" type="checkbox"/>	<input type="checkbox"/>	<input checked="" type="checkbox"/>	<input type="checkbox"/>	<input type="checkbox"/>	<input checked="" type="checkbox"/>	<input type="checkbox"/>	<input type="checkbox"/>	<input type="checkbox"/>	<input type="checkbox"/>	<input type="checkbox"/>	<input type="checkbox"/>
E741826	<input type="checkbox"/>	<input checked="" type="checkbox"/>	<input type="checkbox"/>	<input checked="" type="checkbox"/>	<input checked="" type="checkbox"/>	<input type="checkbox"/>	<input type="checkbox"/>	<input checked="" type="checkbox"/>	<input type="checkbox"/>	<input type="checkbox"/>	<input type="checkbox"/>	<input type="checkbox"/>	<input type="checkbox"/>	<input type="checkbox"/>

Art. No.:	Optional Interfaces					Button Position T								
	EtherCAT®	USV (external)	RFID	USB 2.0	Emergency Stop	T1	T2	T3	T4	T5	T6	T7	T8	
E741824	<input checked="" type="checkbox"/>	<input type="checkbox"/>	<input type="checkbox"/>	<input type="checkbox"/>	<input checked="" type="checkbox"/>	<input checked="" type="checkbox"/>	<input checked="" type="checkbox"/>	<input checked="" type="checkbox"/>	<input checked="" type="checkbox"/>	<input checked="" type="checkbox"/>	<input checked="" type="checkbox"/>	<input checked="" type="checkbox"/>	<input checked="" type="checkbox"/>	<input checked="" type="checkbox"/>
E741826	<input checked="" type="checkbox"/>	<input type="checkbox"/>	<input type="checkbox"/>	<input type="checkbox"/>	<input checked="" type="checkbox"/>	<input checked="" type="checkbox"/>	<input checked="" type="checkbox"/>	<input checked="" type="checkbox"/>	<input checked="" type="checkbox"/>	<input checked="" type="checkbox"/>	<input checked="" type="checkbox"/>	<input checked="" type="checkbox"/>	<input checked="" type="checkbox"/>	<input checked="" type="checkbox"/>

Touch-it XELO Automation glass 18,5

Datasheet

DISCLAIMER

Technical data are subject to modification and delivery subject to availability. Any liability that the data and illustrations are complete, actual or correct is excluded. Designations may be trademarks and/or copyrights of the respective manufacturer, the use of which by third parties for their own purposes may infringe the rights of such owner.



CHRIST ELECTRONIC SYSTEMS GMBH
MANUFACTURER OF INDUSTRIAL ELECTRONICS

CONTACT

Christ Electronic Systems GmbH
Alpenstraße 34
87700 Memmingen
Phone: +49 8331/ 83710
www.christ-es.de

FROM IDEAS TO REALITY

We are a German developer and manufacturer of innovative HMI-systems for demanding industrial applications. Christ offers an extensive range of

TOUCH PANEL PCs
TOUCH MONITORS
SINGLE BOARD COMPUTER
VISUALISATION SYSTEMS

|x86 & ARM
|7" – 24"
|Windows & Linux
|HMI & SCADA