

SMART C-Link Transmitter boxed

Datasheet

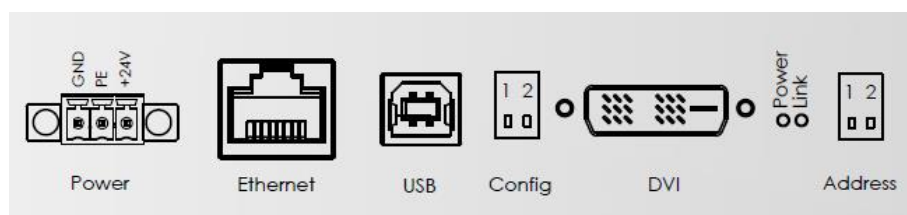
- Up to 100m Video Signal
- One Cable Solution (optional)
- One SMART C-Link Transmitter -> Multiple Displays
- DVI Video Interface

INTERFACES

USB	1 x USB Host (Type B)
Ethernet	1 x 1GB Ethernet (Video and USB Signal)
Video	1 x DVI
Communication	2 x Address Switch
Configuration EDID Data	1 x Config Switch (Second switch is not connected)
Status LED	1 x Power 1 x Link
Power Connector	Phoenix 3-pol MC 1,5/ 3-STF-3,5 BK (screwable)

POWER SUPPLY

Supply Voltage	24 VDC ± 20%
Power Consumption	4 W
Power Switch	No



INTERFACES

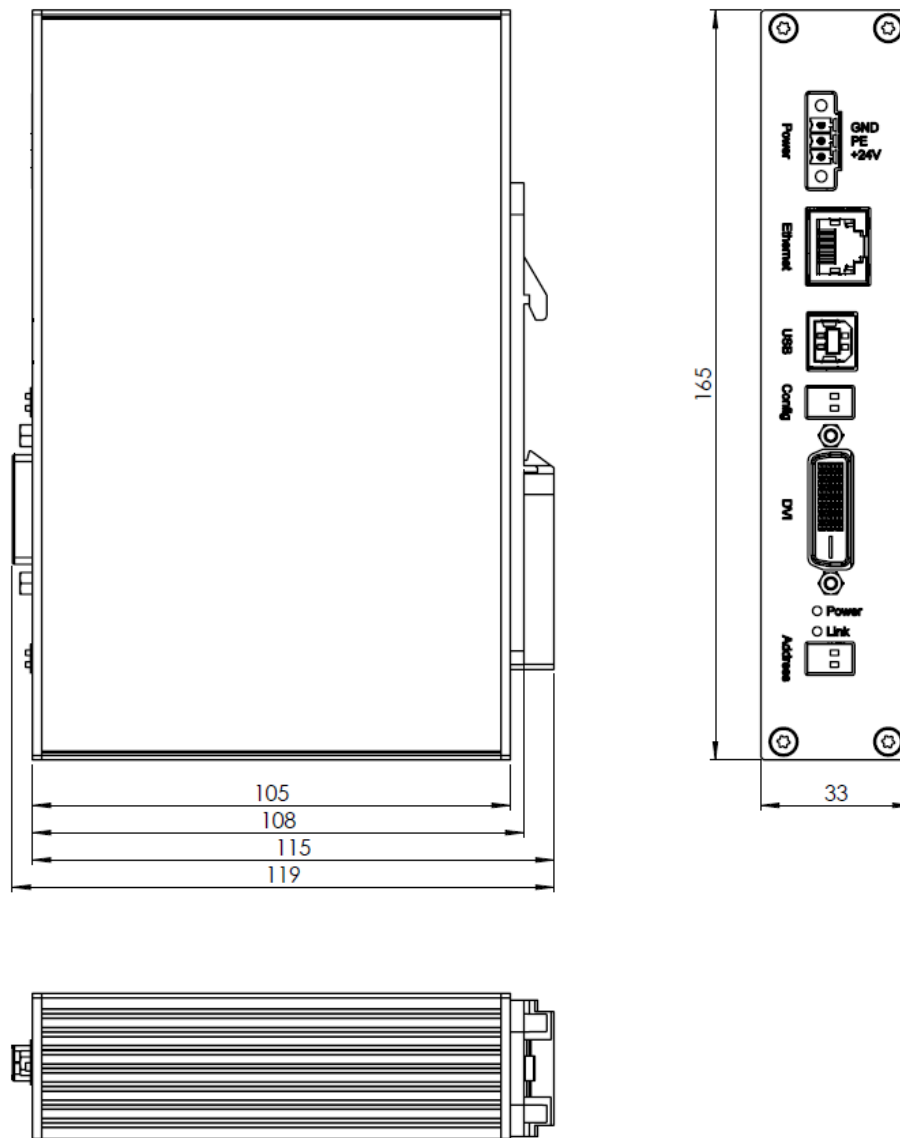
MECHANICAL & ENVIRONMENTAL

Housing	Aluminium
Mounting	Switchgear cabinet installation
Cooling	Passive
Dimensions	165 mm x 119 mm x 33 mm
Weight	0.2 kg
Operating Temperature	0 ~ 50 °C
Storage Temperature	-10 ~ 60 °C
Humidity	5 ~ 80% (non condensing)
Protection Class	IP20
Certification	CE, EN55022, EN55024, DIN EN ISO 9001

SMART C-Link Transmitter boxed

Datasheet

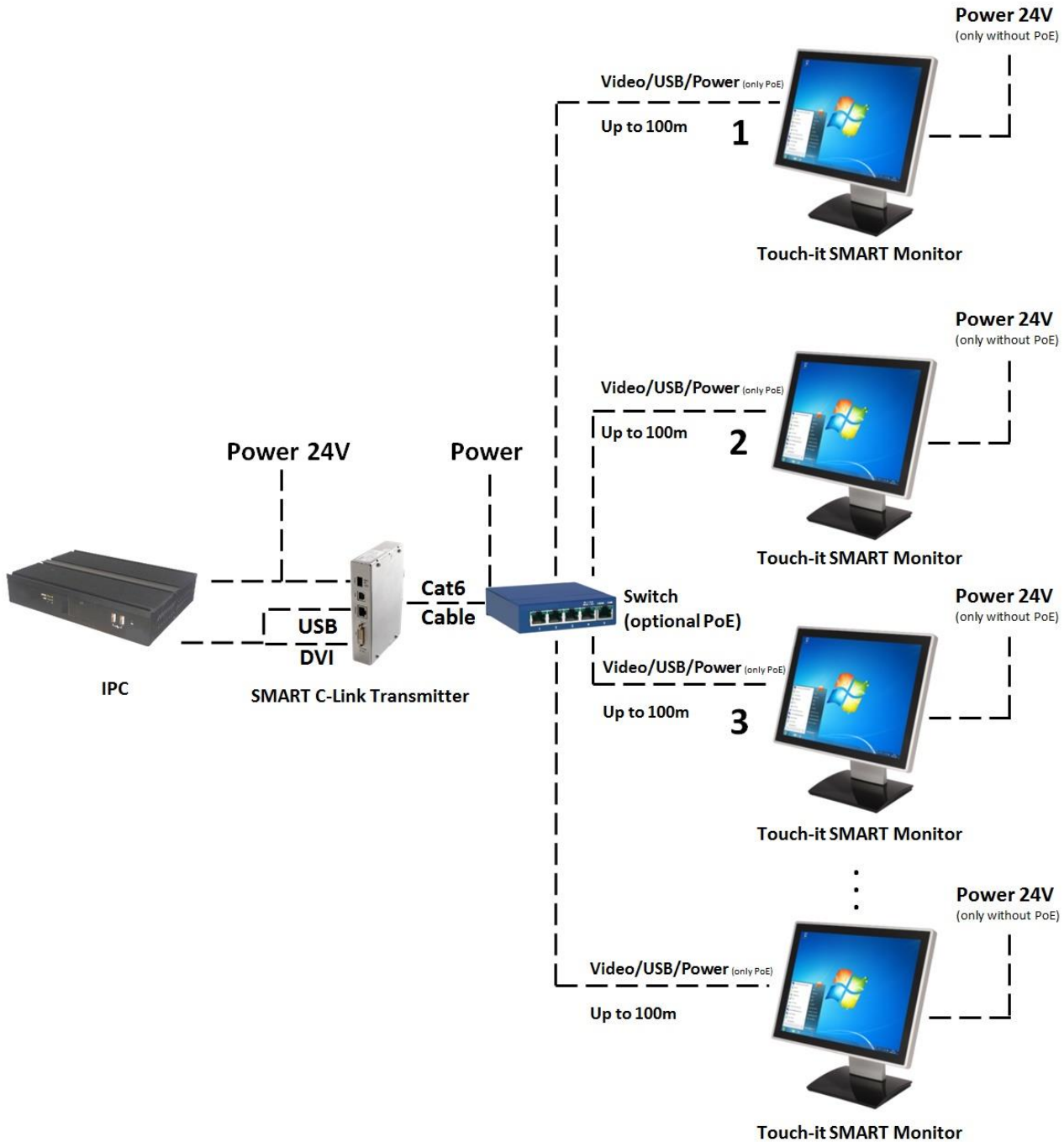
DIMENSIONS



SMART C-Link Transmitter boxed

Datasheet

SYSTEM CONFIGURATION 1:N

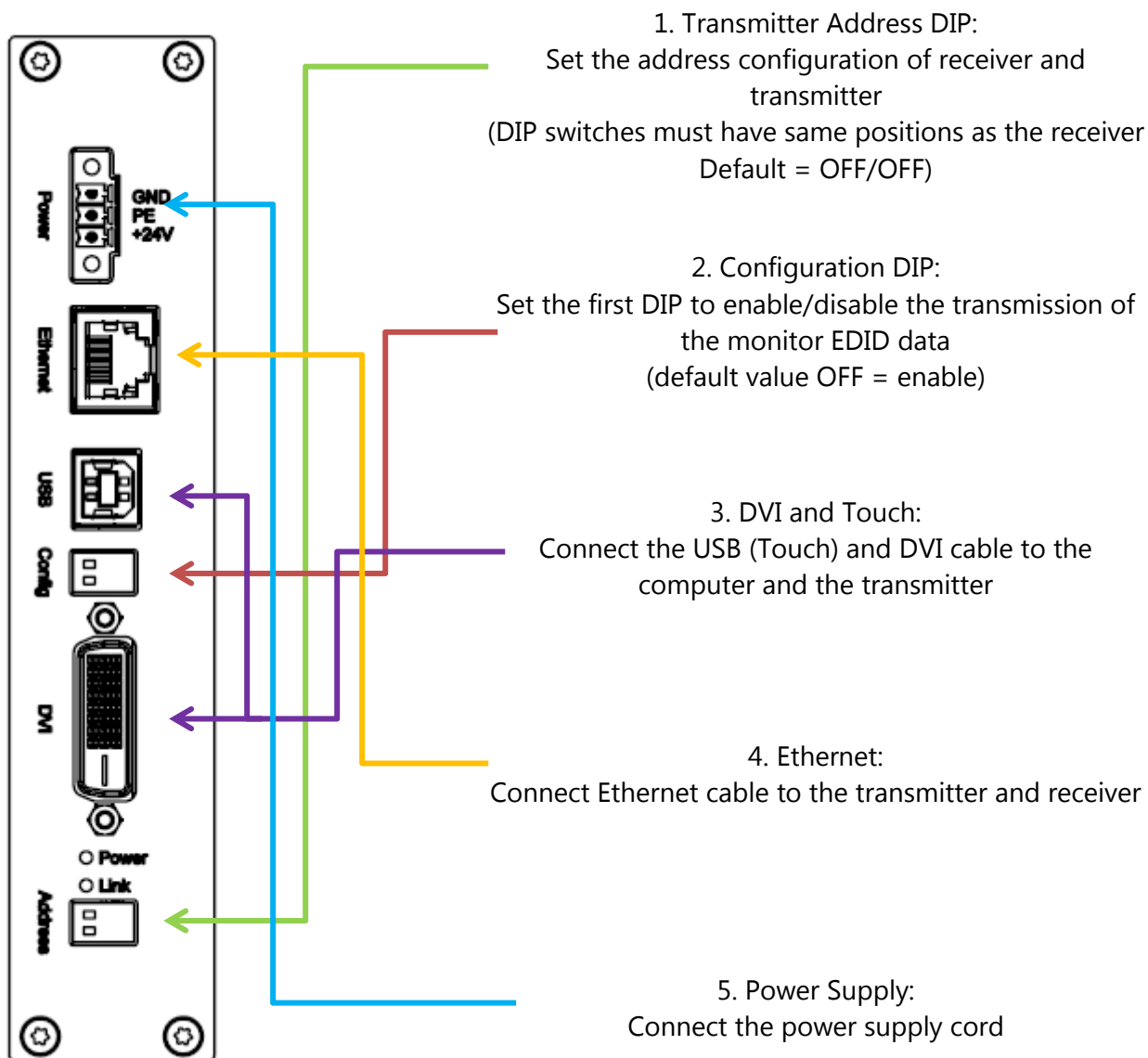


SMART C-Link Transmitter boxed

Datasheet

STARTING UP

Follow the five steps for starting up the SMART C-Link Transmitter boxed



1. Transmitter Address DIP:

Set the address configuration of receiver and transmitter
(DIP switches must have same positions as the receiver
Default = OFF/OFF)

2. Configuration DIP:

Set the first DIP to enable/disable the transmission of the monitor EDID data
(default value OFF = enable)

3. DVI and Touch:

Connect the USB (Touch) and DVI cable to the computer and the transmitter

4. Ethernet:

Connect Ethernet cable to the transmitter and receiver

5. Power Supply:

Connect the power supply cord

SMART C-Link Transmitter boxed

Datasheet

ORDERING INFORMATION

Art.-No.	Description	Configuration
E786209	SMART C-Link Transmitter boxed	1 : n

DISCLAIMER

Technical data are subject to modification and delivery subject to availability. Any liability that the data and illustrations are complete, actual or correct is excluded. Designations may be trademarks and/or copyrights of the respective manufacturer, the use of which by third parties for their own purposes may infringe the rights of such owner.



CHRIST ELECTRONIC SYSTEMS GMBH
MANUFACTURE OF INDUSTRIAL ELECTRONICS

CONTACT

Christ Electronic Systems GmbH
Alpenstraße 34
87700 Memmingen
Phone: +49 8331/ 83710
www.christ-es.de

FROM IDEAS TO REALITY

We are a German developer and manufacture of innovative HMI-systems for demanding industrial applications. Christ offers an extensive range of

TOUCH PANEL PCs	x86 & ARM
TOUCH MONITORS	7" – 24"
SINGLE BOARD COMPUTER	Windows & Linux
VISUALISATION SYSTEMS	HMI & SCADA