

# Touch-it CE VESA glass 7

## Datasheet

- **Display and Touch**
- **Easy Integration**
- **Projected Capacitive Touch Interface**

### DISPLAY

<b>LCD Size</b>	7.0 inch (17.8 cm)
<b>Resolution</b>	800 x 480
<b>Aspect Ratio</b>	5 : 3
<b>Technology</b>	TFT
<b>Colours</b>	262K
<b>Backlight</b>	LED
<b>Backlight Life Time</b>	30,000 h
<b>Luminance*</b>	500 cd/m <sup>2</sup>
<b>Contrast Ratio*</b>	400 : 1
<b>Viewing Angle* (right/left/up/down)</b>	80°/80°/80°/80°
<b>Touch</b>	Projected Capacitive Touch

\*The values are referring to the displays only.

### SYSTEM

<b>CPU</b>	NXP i.MX6DL, DualCore 1 GHz
<b>Graphic</b>	3D Vivante GC880 2D Vivante GC320
<b>Video Decoder</b>	H.264, MPEG-4/XviD, MPEG-2, H.263
<b>Memory</b>	1024 MB DDR3 RAM
<b>Storage</b>	4 GB eMMC FLASH MicroSD (up to 32GB)
<b>CMOS Battery</b>	RTC Lithium Battery (optional)
<b>Operating System</b>	Linux Embedded

# Touch-it CE VESA glass 7

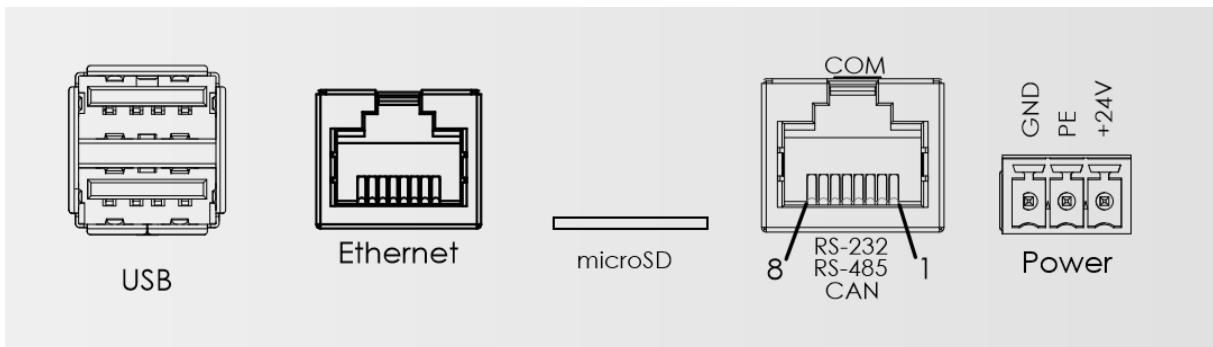
## Datasheet

### POWER SUPPLY

<b>Supply Voltage</b>	24 V ± 20 %
<b>Power Consumption</b>	11 W
<b>Power Switch</b>	No

### STANDARD INTERFACES

<b>USB</b>	2 x USB 2.0 Host (Type A)
<b>LAN</b>	1 x 100Mbit Ethernet
<b>Communication</b>	1 x RS-232, 1 x RS-485, 1 x CAN (one connector)
<b>Mass Storage</b>	1 x microSD up to 32GB
<b>Power Connector</b>	Phoenix 3-pol MC 1,5/ 3-ST-3,5 BK



Interfaces Connector Side

#### COM Connector Pinning

Pin	Function	Description
1	GND	
2	GND	
3	RS485_P	RS485 Positiv
4	RS232_TX	RS232 Transmitter Signal
5	RS232_RX	RS232 Receiver Signal
6	RS485_N	RS485 Negative
7	CAN_Low	CAN Low Signal
8	CAN_High	CAN High Signal

# Touch-it CE VESA glass 7

## Datasheet

### MECHANICAL & ENVIRONMENTAL

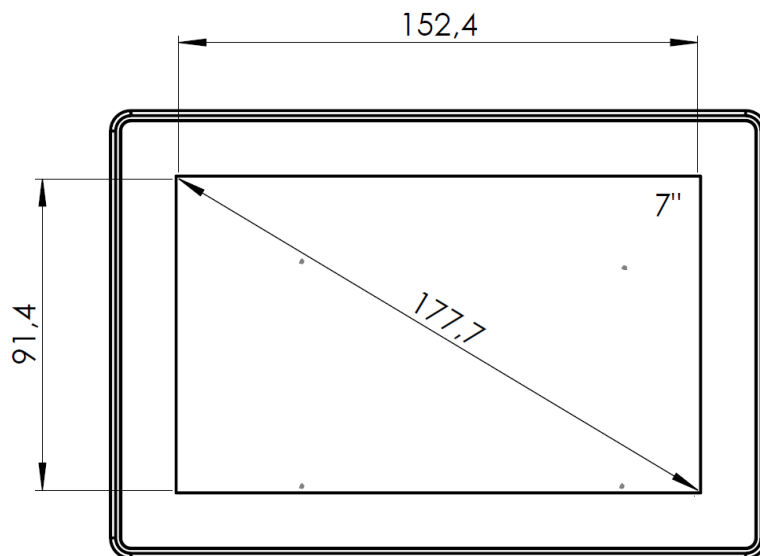
<b>Housing Front</b>	Glass, Black Frame
<b>Housing</b>	Aluminium / Silver
<b>Dimensions</b>	192.5 mm x 131.5 mm x 45.5 mm
<b>Weight</b>	1.1 kg
<b>Cooling</b>	Passive
<b>Operating Temperature</b>	0 ~ 50 °C
<b>Storage Temperature</b>	-10 ~ 70 °C
<b>Humidity</b>	5 ~ 80% (non condensing)
<b>Protection Class</b>	IP65 (IP20 rear)
<b>Certification</b>	CE, EN55032 Class A, EN55024

Never cover the Touch-it CE VESA glass 7 completely or build it in a small closed and unvented housing.

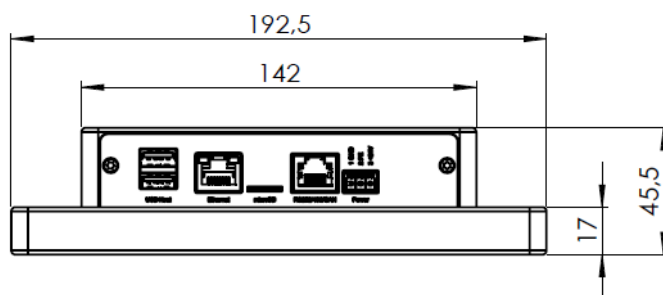
# Touch-it CE VESA glass 7

## Datasheet

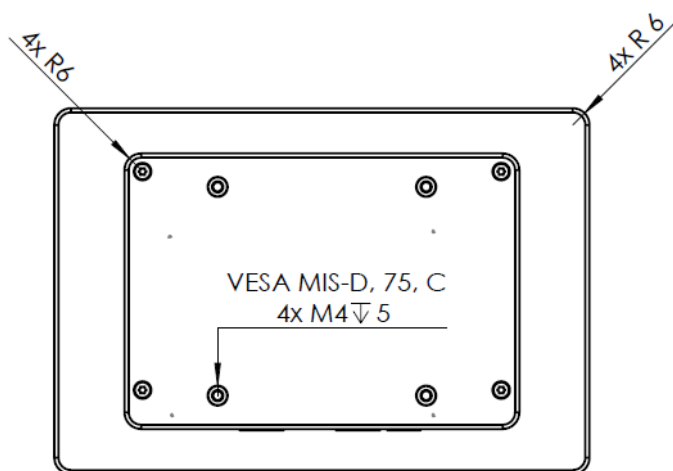
### DIMENSIONS



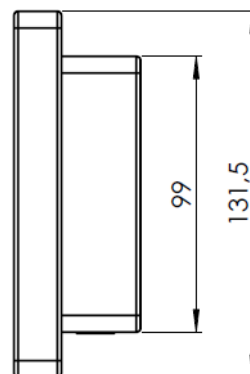
FRONT VIEW



BOTTOM VIEW



REAR VIEW



SIDE VIEW

# Touch-it CE VESA glass 7

Datasheet

## ORDERING INFORMATION

<u>Art.-No.</u>	<u>Description</u>
E707541	Touch-it CE VESA glass 7

## DISCLAIMER

Technical data are subject to modification and delivery subject to availability. Any liability that the data and illustrations are complete, actual or correct is excluded. Designations may be trademarks and/or copyrights of the respective manufacturer, the use of which by third parties for their own purposes may infringe the rights of such owner.



**CHRIST ELECTRONIC SYSTEMS GMBH**  
**MANUFACTURE OF INDUSTRIAL ELECTRONICS**

### CONTACT

Christ Electronic Systems GmbH  
Alpenstraße 34  
87700 Memmingen  
Phone: +49 8331/ 83710  
[www.christ-es.de](http://www.christ-es.de)

### FROM IDEAS TO REALITY

We are a German developer and manufacturer of innovative HMI-systems for demanding industrial applications. Christ offers an extensive range of

TOUCH PANEL PCs	x86 & ARM
TOUCH MONITORS	7" – 24"
SINGLE BOARD COMPUTER	Windows & Linux
VISUALISATION SYSTEMS	HMI & SCADA

Copyright / © Christ Electronic Systems GmbH - 5 / 5  
a member of the Christ Company Group

Sep. 2017, Revision 01  
Document No.: PA10002549