

Touch-it CE Open Frame 7

Datasheet



- **Made in Germany**
- **24h/7d – Industrial Grade**
- **Fanless**
- **Long Term Availability**

PANEL

LCD Size	7 inch (17.8 cm)
Resolution	800 x 480
Aspect Ratio	16 : 9
Technology	TFT
Colours	262K
Backlight	LED
Backlight Life Time	40000 h
Luminance*	800 cd/m ²
Contrast Ratio*	400 : 1
Viewing Angle* (right/left/up/down)	70°/70°/60°/60°
Touch	Foil Touch, Analog Resistive

*The values are referring to the displays only.

SYSTEM

CPU	Freescale iMX6DL, DualCore 1 GHz
Graphic	Vivante GC880 OpenGL, OpenVG 1.1, 1080p/720p decoder/encoder
Video Decoder	H.264, MPEG-4, MPEG-2, H.263, DIVX, XviD
Memory	512 MB DDR3 RAM
Storage	4 GB NAND FLASH microSD (up to 2TB)
CMOS Battery	Lithium Battery
Operating System	Linux Embedded

Touch-it CE Open Frame 7

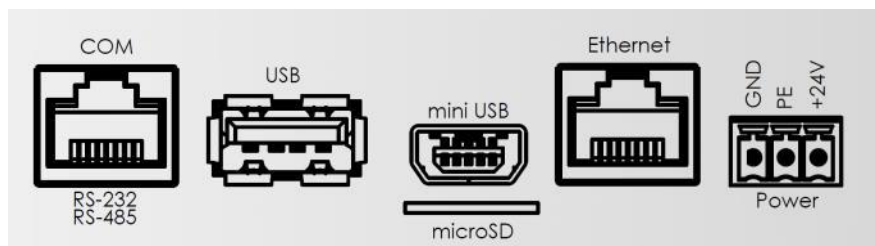
Datasheet

STANDARD INTERFACES

USB	1 x USB 2.0 1 x Mini USB
Ethernet	1 x 100 Mbit Ethernet
Communication	1 x RS-232 and RS485
Storage	1 x microSD Card Slot

POWER SUPPLY

Supply Voltage	24 VDC \pm 20%
Power Consumption (nom/max)	7 W
Power Button	Yes
Power Connector	Phoenix 3-pol MC 1,5/ 3-ST-3,5 BK



INTERFACES

MECHANICAL & ENVIRONMENTAL

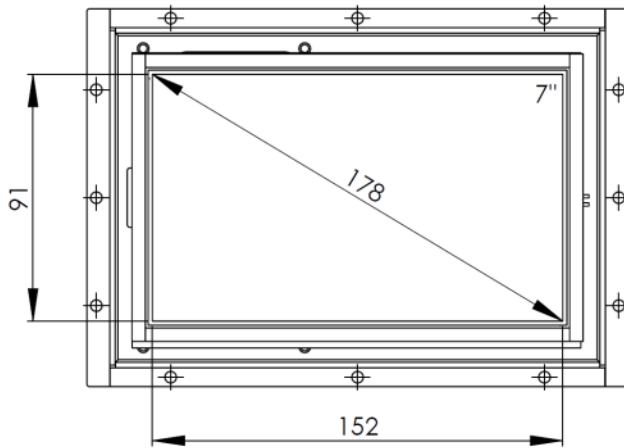
Housing	Metallic Cover
Dimensions	201 mm x 140 mm x 46 mm
Weight	1.4 kg
Cooling	Passive
Operating Temperature	0 ~ 50 °C
Storage Temperature	-10 ~ 70 °C
Humidity	5 ~ 80% (non condensing)
Protection Class	IP65 (IP20 rear)
Certification	CE, EN55022, EN55024, DIN EN ISO 9001

Never cover the Touch-it CE Open Frame 7 completely or build it in a small closed and unvented housing.

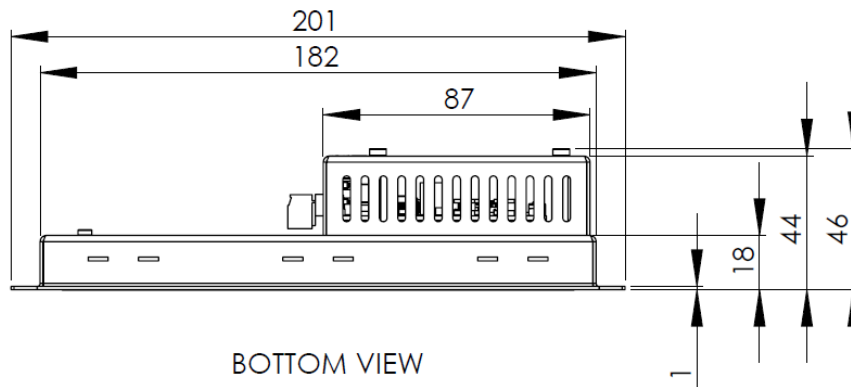
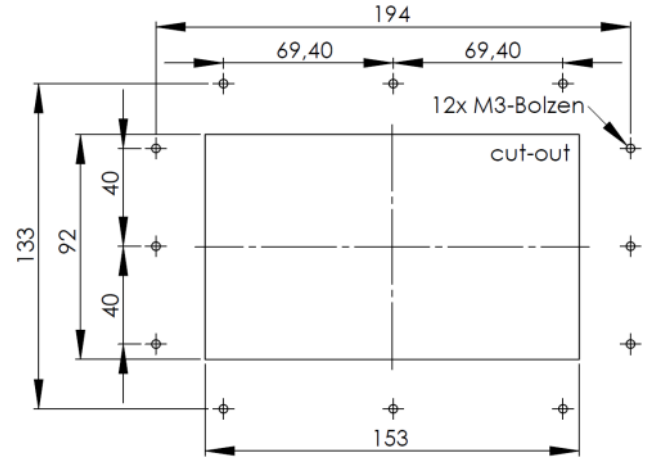
Touch-it CE Open Frame 7

Datasheet

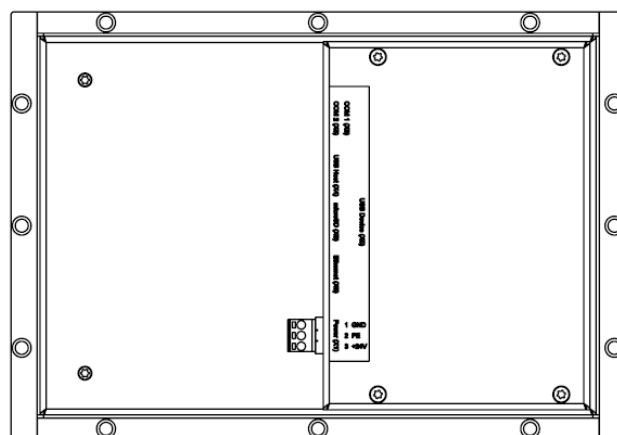
DIMENSIONS



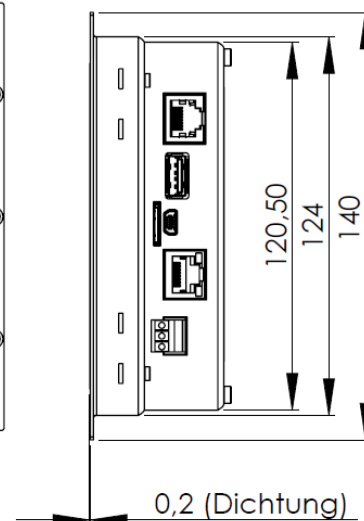
FRONT VIEW



BOTTOM VIEW



REAR VIEW



SIDE VIEW

Touch-it CE Open Frame 7

Datasheet

ORDERING INFORMATION

Art.-No.	Description
E707531	Touch-it CE Open Frame 7

DISCLAIMER

Technical data are subject to modification and delivery subject to availability. Any liability that the data and illustrations are complete, actual or correct is excluded. Designations may be trademarks and/or copyrights of the respective manufacturer, the use of which by third parties for their own purposes may infringe the rights of such owner.

CHRIST-ELEKTRONIK GMBH MANUFACTURE OF INDUSTRIAL ELECTRONICS

CONTACT

Christ-Elektronik GmbH
Alpenstraße 34
87700 Memmingen
Phone: +49(0)8331/83710
www.christ-elektronik.de

FROM IDEAS TO REALITY

We are a German developer and manufacture of innovative HMI-systems for demanding industrial applications. Christ offers an extensive range of

TOUCH PANEL PCs	x86 & ARM
TOUCH MONITORS	7" – 21"
SINGLE BOARD COMPUTER	Windows & Linux
VISUALIZATION SYSTEMS	HMI & SCADA

Copyright / © Christ-Elektronik GmbH
info@christ-elektronik.de

4 / 4

Nov. 2015, Revision 00
Document No.:PA10001407