

# Touch-it XELO VESA glass 12,1

## Datasheet



- **Made in Germany**
- **Multitouch**
- **Aluminium Silver Housing**
- **Ultra Compact Design, Fanless**
- **VESA 75 / 100**

### PANEL

<b>LCD Size</b>	12.1 inch (30.7 cm)
<b>Resolution</b>	1280 x 800
<b>Aspect Ratio</b>	16 : 10
<b>Technology</b>	TFT
<b>Colours</b>	16.2M
<b>Backlight</b>	LED
<b>Backlight Life Time</b>	50,000 h
<b>Luminance*</b>	400 cd/m <sup>2</sup>
<b>Contrast Ratio*</b>	800 : 1
<b>Viewing Angle* (right/left/up/down)</b>	80°/80°/65°/80°
<b>Touch</b>	Projected Capacitive Touch, Anti-Glare, Multitouch (not supported in WS7E)

\*The values are referring to the displays only.

### SYSTEM

<b>CPU</b>	AMD® GX-415GA Quad Core™ 1.5 GHz 64 Bit, 2 MB Cache	Intel® Core™ i5-5350U Dual Core 1.8 GHz 64 Bit, 3 MB Cache
<b>Chipset</b>	Integrated in APU	Integrated in Intel® 5th Gen. Core™ i U-series
<b>Graphic</b>	Radeon HD 8330E 500 MHz	Intel® HD Graphics 6000 300 MHz
<b>Memory</b>	4 GB DDR3L / 8 GB DDR3L / 16 GB DDR3L (i5 only)	
<b>Storage</b>	32 / 64 / 128 / 256 / 512 GB MLC SSD / up to 1 TB HDD	
<b>BIOS</b>	AMI BIOS, Supports ACPI Function	
<b>Wake on LAN</b>	Yes	
<b>H/W Status Monitoring</b>	Supports Power Supply Voltages and Temperature Monitoring	
<b>CMOS Battery</b>	Lithium Battery	
<b>Operating System</b>	Windows® Embedded Standard 7 (WS7P) / (WS7E) Windows® Embedded 8 Standard Windows® 10 IoT Linux	

# Touch-it XELO VESA glass 12,1

## Datasheet

### STANDARD INTERFACES

<b>USB</b>	2 x USB Host 3.0 (Type A)
<b>Ethernet</b>	2 x 1 Gbit Ethernet
<b>Communication</b>	1 x RS-232 / RS-485 (BIOS setting)
<b>Video</b>	1 x DVI-I

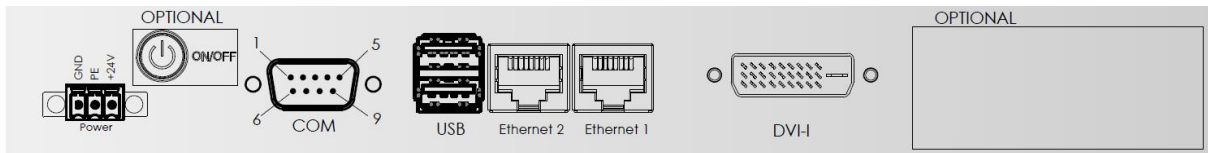
### OPTIONAL INTERFACES

<b>USB</b>	4 x USB Host 2.0 (Type A, max. Total Current 0.5 A)
<b>Audio, USB</b>	2 x 3.5 mm Headphone Connector, Line In and Line Out 2 x USB Host 2.0 (Type A, max. Total Current 0.5 A)
<b>WLAN</b>	1 x 802.11 ac/a/b/g/n (2.4 GHz, 5 GHz)

### POWER SUPPLY

<b>Supply Voltage</b>	24 VDC $\pm$ 20%	
<b>Power Consumption (nominal/max*)</b>	AMD® Quad Core: 13 W / 28 W	Intel® Core™ i5 5 <sup>th</sup> Gen: 15 W / 37 W
<b>Power Button</b>	Optional	
<b>Power Connector</b>	Phoenix 3-pol MC 1,5/ 3-STF-3,5 BK (screwable) / Phoenix 3-pol MC 1,5/ 3-ST-3,5 BK	

\* max. periphery consumption included (e.g. 1 x USB 2.0 equals 2.5 W)



### INTERFACES

PIN	Signal Name	
	RS-232	RS-485
	DCD	DATA-
1	RX	DATA+
2	TX	NC
3	DTR	NC
4	Ground	Ground
5	DSR	NC
6	RTS	NC
7	CTS	NC
8	RI	NC
9		



# Touch-it XELO VESA glass 12,1

## Datasheet

### MECHANICAL & ENVIRONMENTAL

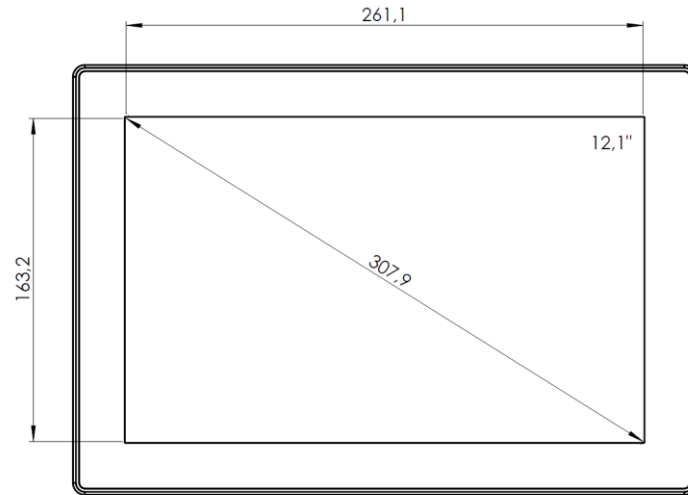
<b>Housing Front</b>	Glass, Black Frame
<b>Housing</b>	Aluminium / Silver
<b>Dimensions</b>	314.9 mm x 217.0 mm x 57.0 mm
<b>Mounting</b>	VESA MIS-D, 75, C VESA MIS-D, 100, C
<b>Weight</b>	2.7 kg
<b>Cooling</b>	Passive
<b>Operating Temperature</b>	0 ~ 50 °C
<b>Storage Temperature</b>	-10 ~ 70 °C
<b>Humidity</b>	5 ~ 80% (non condensing)
<b>Protection Class</b>	IP65 (IP20 rear)
<b>Certification</b>	CE, EN55032 Class A, EN55024

Never cover the Touch-it XELO VESA glass 12,1 completely or build it in a small closed and unvented housing.

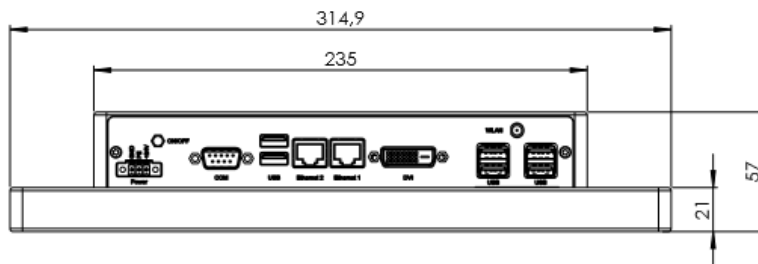
# Touch-it XELO VESA glass 12,1

## Datasheet

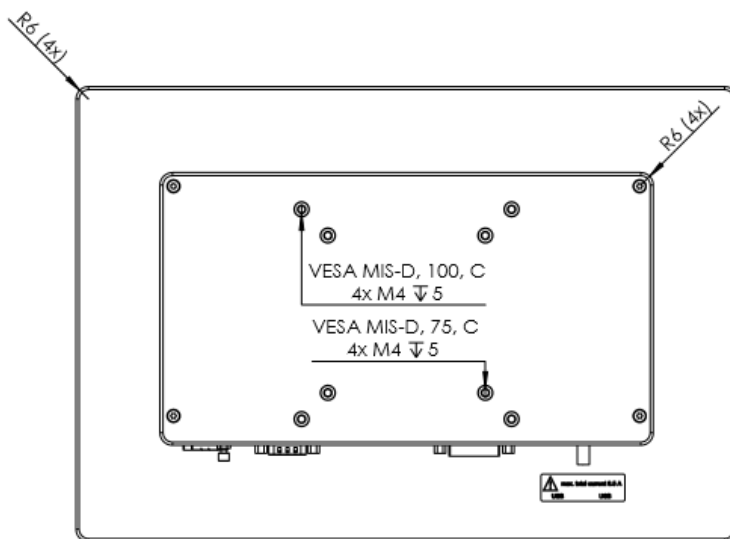
### DIMENSIONS



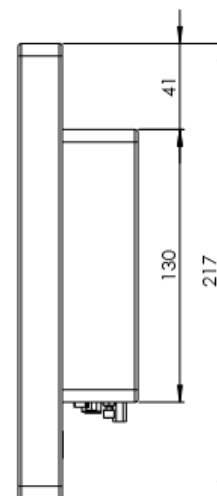
FRONT VIEW



BOTTOM VIEW



REAR VIEW



SIDE VIEW

# Touch-it XELO VESA glass 12,1

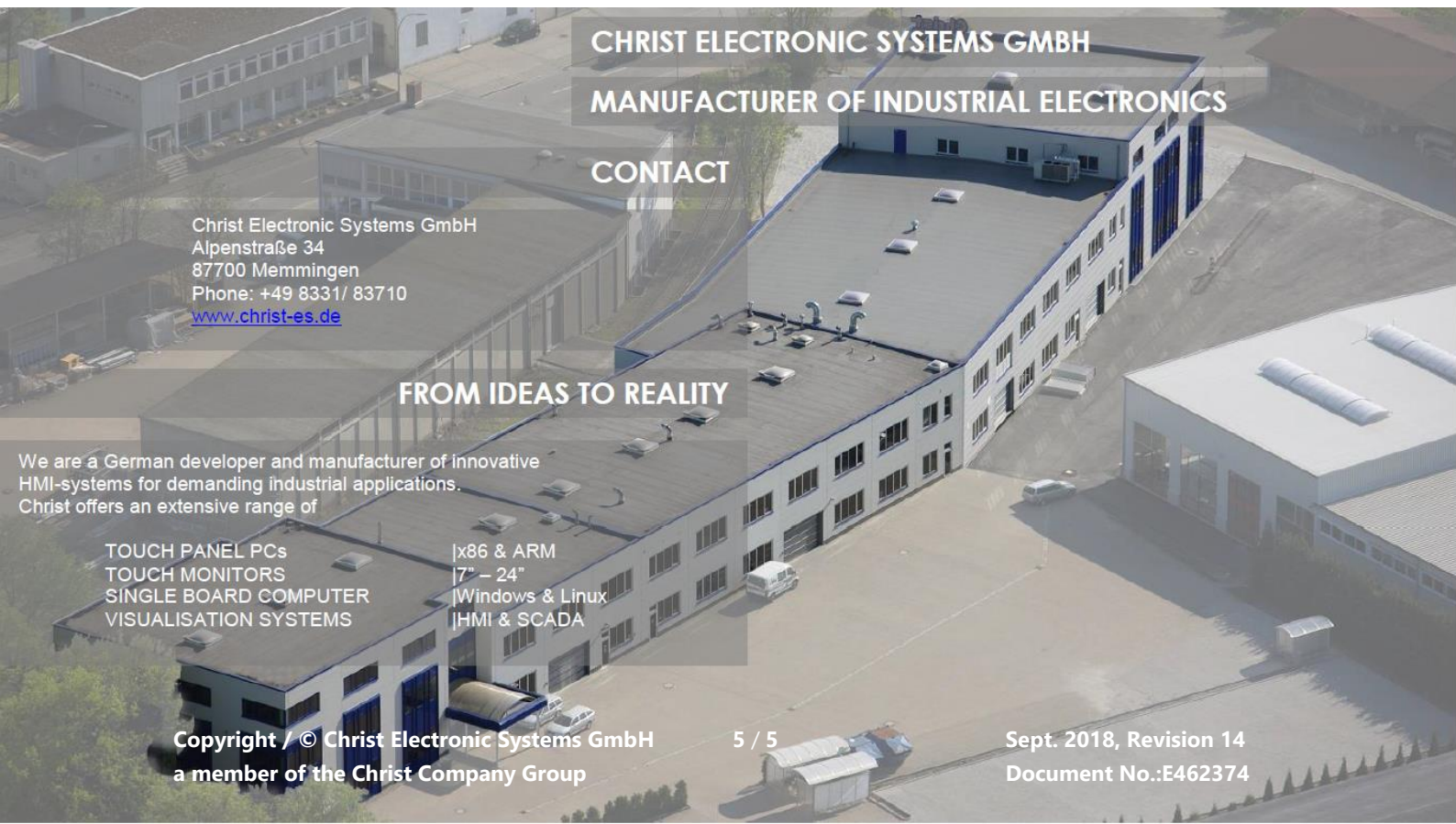
## Datasheet

### ORDERING INFORMATION

Art. No.:	CPU		RAM			Storage					Optional Interfaces			
	AMD Quad-Core	Intel i5 5 <sup>th</sup> Gen	4 GB	8 GB	16 GB (i5 only)	32 GB SSD	64 GB SSD	128 GB SSD	256 GB SSD	512 GB SSD	4 x USB	WLAN	Audio, 2 x USB	Power Button
E741201	<input checked="" type="checkbox"/>	<input type="checkbox"/>	<input checked="" type="checkbox"/>	<input type="checkbox"/>	<input type="checkbox"/>	<input checked="" type="checkbox"/>	<input type="checkbox"/>	<input type="checkbox"/>	<input type="checkbox"/>	<input type="checkbox"/>	<input type="checkbox"/>	<input type="checkbox"/>	<input type="checkbox"/>	<input checked="" type="checkbox"/>
E741204	<input checked="" type="checkbox"/>	<input type="checkbox"/>	<input type="checkbox"/>	<input checked="" type="checkbox"/>	<input type="checkbox"/>	<input type="checkbox"/>	<input type="checkbox"/>	<input checked="" type="checkbox"/>	<input checked="" type="checkbox"/>	<input type="checkbox"/>	<input type="checkbox"/>	<input type="checkbox"/>	<input type="checkbox"/>	<input checked="" type="checkbox"/>
E741208	<input type="checkbox"/>	<input checked="" type="checkbox"/>	<input type="checkbox"/>	<input checked="" type="checkbox"/>	<input type="checkbox"/>	<input type="checkbox"/>	<input type="checkbox"/>	<input checked="" type="checkbox"/>	<input type="checkbox"/>	<input type="checkbox"/>	<input type="checkbox"/>	<input type="checkbox"/>	<input type="checkbox"/>	<input checked="" type="checkbox"/>
E741209	<input checked="" type="checkbox"/>	<input type="checkbox"/>	<input type="checkbox"/>	<input checked="" type="checkbox"/>	<input type="checkbox"/>	<input type="checkbox"/>	<input checked="" type="checkbox"/>	<input type="checkbox"/>	<input type="checkbox"/>	<input type="checkbox"/>	<input type="checkbox"/>	<input type="checkbox"/>	<input type="checkbox"/>	<input checked="" type="checkbox"/>
E741225	<input type="checkbox"/>	<input checked="" type="checkbox"/>	<input type="checkbox"/>	<input checked="" type="checkbox"/>	<input type="checkbox"/>	<input type="checkbox"/>	<input type="checkbox"/>	<input type="checkbox"/>	<input checked="" type="checkbox"/>	<input type="checkbox"/>	<input type="checkbox"/>	<input type="checkbox"/>	<input type="checkbox"/>	<input checked="" type="checkbox"/>
E741230	<input type="checkbox"/>	<input checked="" type="checkbox"/>	<input checked="" type="checkbox"/>	<input type="checkbox"/>	<input type="checkbox"/>	<input type="checkbox"/>	<input type="checkbox"/>	<input checked="" type="checkbox"/>	<input type="checkbox"/>	<input type="checkbox"/>	<input checked="" type="checkbox"/>	<input type="checkbox"/>	<input type="checkbox"/>	<input checked="" type="checkbox"/>
E741233	<input checked="" type="checkbox"/>	<input type="checkbox"/>	<input checked="" type="checkbox"/>	<input type="checkbox"/>	<input type="checkbox"/>	<input type="checkbox"/>	<input type="checkbox"/>	<input checked="" type="checkbox"/>	<input type="checkbox"/>	<input type="checkbox"/>	<input type="checkbox"/>	<input checked="" type="checkbox"/>	<input type="checkbox"/>	<input checked="" type="checkbox"/>
E741234	<input checked="" type="checkbox"/>	<input type="checkbox"/>	<input checked="" type="checkbox"/>	<input type="checkbox"/>	<input type="checkbox"/>	<input checked="" type="checkbox"/>	<input type="checkbox"/>	<input type="checkbox"/>	<input type="checkbox"/>	<input type="checkbox"/>	<input type="checkbox"/>	<input type="checkbox"/>	<input checked="" type="checkbox"/>	<input checked="" type="checkbox"/>
E741235	<input checked="" type="checkbox"/>	<input type="checkbox"/>	<input type="checkbox"/>	<input checked="" type="checkbox"/>	<input type="checkbox"/>	<input checked="" type="checkbox"/>	<input type="checkbox"/>	<input type="checkbox"/>	<input type="checkbox"/>	<input type="checkbox"/>	<input type="checkbox"/>	<input type="checkbox"/>	<input checked="" type="checkbox"/>	<input checked="" type="checkbox"/>
E741236	<input checked="" type="checkbox"/>	<input type="checkbox"/>	<input checked="" type="checkbox"/>	<input type="checkbox"/>	<input type="checkbox"/>	<input checked="" type="checkbox"/>	<input type="checkbox"/>	<input type="checkbox"/>	<input type="checkbox"/>	<input type="checkbox"/>	<input checked="" type="checkbox"/>	<input type="checkbox"/>	<input type="checkbox"/>	<input checked="" type="checkbox"/>
E741237	<input checked="" type="checkbox"/>	<input type="checkbox"/>	<input checked="" type="checkbox"/>	<input type="checkbox"/>	<input type="checkbox"/>	<input type="checkbox"/>	<input type="checkbox"/>	<input checked="" type="checkbox"/>	<input type="checkbox"/>	<input type="checkbox"/>	<input type="checkbox"/>	<input type="checkbox"/>	<input type="checkbox"/>	<input checked="" type="checkbox"/>
E741238	<input checked="" type="checkbox"/>	<input type="checkbox"/>	<input checked="" type="checkbox"/>	<input type="checkbox"/>	<input type="checkbox"/>	<input checked="" type="checkbox"/>	<input type="checkbox"/>	<input type="checkbox"/>	<input type="checkbox"/>	<input type="checkbox"/>	<input type="checkbox"/>	<input checked="" type="checkbox"/>	<input type="checkbox"/>	<input checked="" type="checkbox"/>

### DISCLAIMER

Technical data are subject to modification and delivery subject to availability. Any liability that the data and illustrations are complete, actual or correct is excluded. Designations may be trademarks and/or copyrights of the respective manufacturer, the use of which by third parties for their own purposes may infringe the rights of such owner.



**CHRIST ELECTRONIC SYSTEMS GMBH**  
**MANUFACTURER OF INDUSTRIAL ELECTRONICS**

### CONTACT

Christ Electronic Systems GmbH  
 Alpenstraße 34  
 87700 Memmingen  
 Phone: +49 8331/ 83710  
[www.christ-es.de](http://www.christ-es.de)

### FROM IDEAS TO REALITY

We are a German developer and manufacturer of innovative HMI-systems for demanding industrial applications. Christ offers an extensive range of

TOUCH PANEL PCs  
 TOUCH MONITORS  
 SINGLE BOARD COMPUTER  
 VISUALISATION SYSTEMS

|x86 & ARM  
 |7" – 24"  
 |Windows & Linux  
 |HMI & SCADA