

Touch-it XELO VESA glass 10,4

Datasheet



- **Made in Germany**
- **Multitouch**
- **Aluminium Silver Housing**
- **Ultra Compact Design, Fanless**
- **VESA 75**

PANEL

LCD Size	10.4 inch (26.4 cm)	
Resolution	800 x 600	1024 x 768
Aspect Ratio	4 : 3	
Technology	TFT	
Colours	262K	16.2M
Backlight	LED	
Backlight Life Time	20,000 h	30,000 h
Luminance*	400 cd/m ²	350 cd/m ²
Contrast Ratio*	400 : 1	1200 : 1
Viewing Angle* (right/left/up/down)	70°/70°/60°/70°	88°/88°/88°/88°
Touch	Projected Capacitive Touch, Anti-Glare, Multitouch (not supported in WS7E)	

*The values are referring to the displays only.

SYSTEM

CPU	AMD® GX-415GA Quad Core™ 1.5 GHz 64 Bit, 2 MB Cache	Intel® Core™ i5-5350U Dual Core 1.8 GHz 64 Bit, 3 MB Cache
Chipset	Integrated in APU	Integrated in Intel® 5th Gen. Core™ i U-series
Graphic	Radeon HD 8330E 500 MHz	Intel® HD Graphics 6000 300 MHz
Memory	4 GB DDR3L / 8 GB DDR3L / 16 GB DDR3L (i5 only)	
Storage	32 / 64 / 128 / 256 / 512 GB MLC SSD / up to 1 TB HDD	
BIOS	AMI BIOS, Supports ACPI Function	
Wake on LAN	Yes	
H/W Status Monitoring	Supports Power Supply Voltages and Temperature Monitoring	
CMOS Battery	Lithium Battery	
Operating System	Windows® Embedded Standard 7 (WS7P) Windows® Embedded Standard 7 (WS7E) Windows® Embedded 8 Standard Windows® 10 IoT Linux	

Touch-it XELO VESA glass 10,4

Datasheet

STANDARD INTERFACES

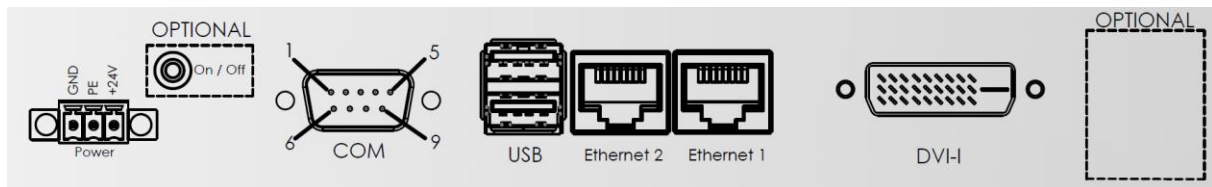
USB	2 x USB Host 3.0 (Type A)
Ethernet	2 x 1 Gbit Ethernet
Communication	1 x RS-232 / RS-485 (BIOS setting)
Video	1 x DVI-I

OPTIONAL INTERFACES

WLAN	1 x 802.11 ac/a/b/g/n (2.4 GHz, 5 GHz)
-------------	--

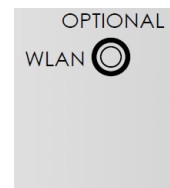
POWER SUPPLY

Supply Voltage	24 VDC \pm 20%	
Power Consumption (nom/max)	AMD® Quad Core: 15 W / 30 W	Intel® Core™ i5: 15 W / 35 W
Power Button	Optional	
Power Connector	Phoenix 3-pol MC 1,5/ 3-STF-3,5 BK (screwable) / Phoenix 3-pol MC 1,5/ 3-ST-3,5 BK	



INTERFACES

PIN	Signal Name	
	RS-232	RS-485
	COM	COM
1	DCD	DATA-
2	RX	DATA+
3	TX	NC
4	DTR	NC
5	Ground	Ground
6	DSR	NC
7	RTS	NC
8	CTS	NC
9	RI	NC



Touch-it XELO VESA glass 10,4

Datasheet

MECHANICAL & ENVIRONMENTAL

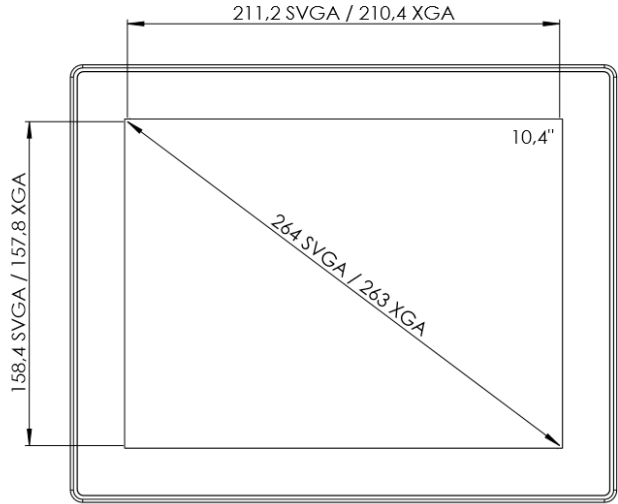
Housing Front	Glass, Black Frame
Housing	Aluminium / Silver
Dimensions	266 mm x 213.2 mm x 48 mm
Mounting	VESA MIS-D, 75, C
Weight	2.0 kg
Cooling	Passive
Operating Temperature	0 ~ 50 °C
Storage Temperature	-10 ~ 70 °C
Humidity	5 ~ 80% (non condensing)
Protection Class	IP65 (IP20 rear)
Certification	CE, EN55032 Class A, EN55024

Never cover the Touch-it XELO VESA glass 10,4 completely or build it in a small closed and unvented housing.

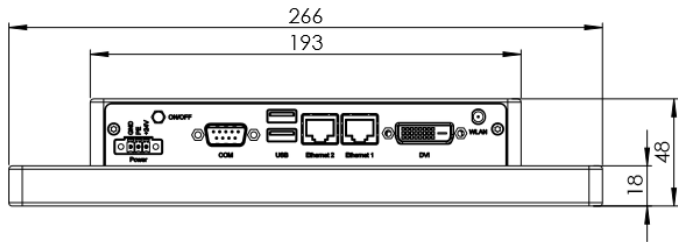
Touch-it XELO VESA glass 10,4

Datasheet

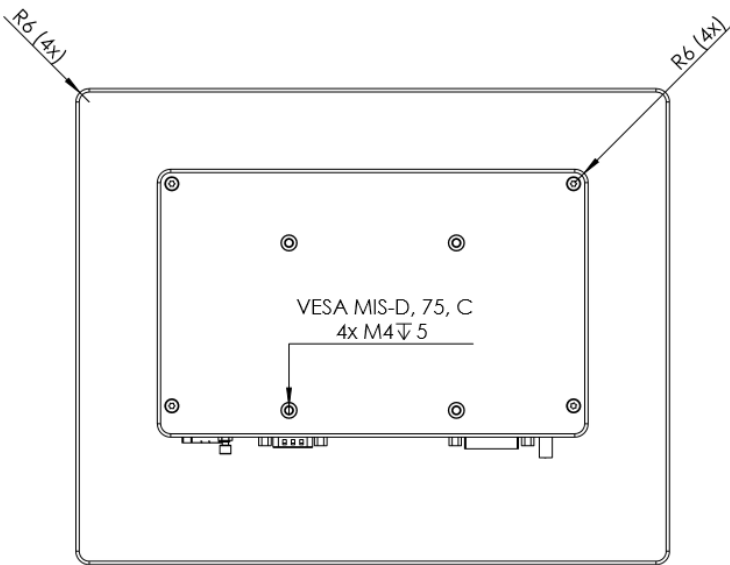
DIMENSIONS



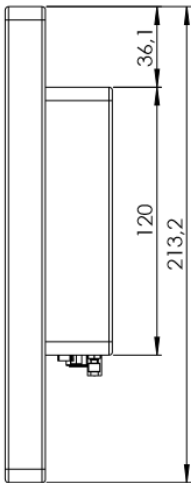
FRONT VIEW



BOTTOM VIEW



REAR VIEW



SIDE VIEW

Touch-it XELO VESA glass 10,4

Datasheet

ORDERING INFORMATION

Art. No.:	Display		CPU		RAM			Storage					Optional Interfaces	
	800 x 600	1024 x 768	AMD Quad-Core	Intel i5 5 th Gen.	4 GB	8 GB	16 GB (i5 only)	32 GB SSD	64 GB SSD	128 GB SSD	256 GB SSD	512 GB SSD	Power Button	WLAN
E741047	<input type="checkbox"/>	<input checked="" type="checkbox"/>	<input checked="" type="checkbox"/>	<input type="checkbox"/>	<input checked="" type="checkbox"/>	<input type="checkbox"/>	<input type="checkbox"/>	<input checked="" type="checkbox"/>	<input type="checkbox"/>	<input type="checkbox"/>	<input type="checkbox"/>	<input type="checkbox"/>	<input checked="" type="checkbox"/>	<input type="checkbox"/>
E741048	<input checked="" type="checkbox"/>	<input type="checkbox"/>	<input checked="" type="checkbox"/>	<input type="checkbox"/>	<input checked="" type="checkbox"/>	<input type="checkbox"/>	<input type="checkbox"/>	<input checked="" type="checkbox"/>	<input type="checkbox"/>	<input type="checkbox"/>	<input type="checkbox"/>	<input type="checkbox"/>	<input checked="" type="checkbox"/>	<input type="checkbox"/>
E741089	<input type="checkbox"/>	<input checked="" type="checkbox"/>	<input checked="" type="checkbox"/>	<input type="checkbox"/>	<input checked="" type="checkbox"/>	<input type="checkbox"/>	<input type="checkbox"/>	<input checked="" type="checkbox"/>	<input type="checkbox"/>	<input type="checkbox"/>	<input type="checkbox"/>	<input type="checkbox"/>	<input type="checkbox"/>	<input type="checkbox"/>
E741108	<input type="checkbox"/>	<input checked="" type="checkbox"/>	<input checked="" type="checkbox"/>	<input type="checkbox"/>	<input checked="" type="checkbox"/>	<input type="checkbox"/>	<input type="checkbox"/>	<input type="checkbox"/>	<input type="checkbox"/>	<input checked="" type="checkbox"/>	<input type="checkbox"/>	<input type="checkbox"/>	<input checked="" type="checkbox"/>	<input type="checkbox"/>
E741109	<input type="checkbox"/>	<input checked="" type="checkbox"/>	<input checked="" type="checkbox"/>	<input type="checkbox"/>	<input checked="" type="checkbox"/>	<input type="checkbox"/>	<input type="checkbox"/>	<input type="checkbox"/>	<input type="checkbox"/>	<input checked="" type="checkbox"/>	<input type="checkbox"/>	<input type="checkbox"/>	<input checked="" type="checkbox"/>	<input checked="" type="checkbox"/>
E741112	<input type="checkbox"/>	<input checked="" type="checkbox"/>	<input type="checkbox"/>	<input checked="" type="checkbox"/>	<input checked="" type="checkbox"/>	<input type="checkbox"/>	<input type="checkbox"/>	<input checked="" type="checkbox"/>	<input type="checkbox"/>	<input type="checkbox"/>	<input type="checkbox"/>	<input type="checkbox"/>	<input checked="" type="checkbox"/>	<input type="checkbox"/>
E741116	<input type="checkbox"/>	<input checked="" type="checkbox"/>	<input type="checkbox"/>	<input checked="" type="checkbox"/>	<input checked="" type="checkbox"/>	<input type="checkbox"/>	<input type="checkbox"/>	<input type="checkbox"/>	<input type="checkbox"/>	<input checked="" type="checkbox"/>	<input type="checkbox"/>	<input type="checkbox"/>	<input checked="" type="checkbox"/>	<input type="checkbox"/>
E741117	<input type="checkbox"/>	<input checked="" type="checkbox"/>	<input checked="" type="checkbox"/>	<input type="checkbox"/>	<input checked="" type="checkbox"/>	<input type="checkbox"/>	<input type="checkbox"/>	<input type="checkbox"/>	<input checked="" type="checkbox"/>	<input type="checkbox"/>	<input type="checkbox"/>	<input type="checkbox"/>	<input checked="" type="checkbox"/>	<input type="checkbox"/>

DISCLAIMER

Technical data are subject to modification and delivery subject to availability. Any liability that the data and illustrations are complete, actual or correct is excluded. Designations may be trademarks and/or copyrights of the respective manufacturer, the use of which by third parties for their own purposes may infringe the rights of such owner

CHRIST ELECTRONIC SYSTEMS GMBH
MANUFACTURE OF INDUSTRIAL ELECTRONICS

CONTACT

Christ Electronic Systems GmbH
 Alpenstraße 34
 87700 Memmingen
 Phone: +49 8331/ 83710
www.christ-es.de

FROM IDEAS TO REALITY

We are a German developer and manufacturer of innovative HMI-systems for demanding industrial applications. Christ offers an extensive range of

TOUCH PANEL PCs	x86 & ARM
TOUCH MONITORS	7" – 24"
SINGLE BOARD COMPUTER	Windows & Linux
VISUALISATION SYSTEMS	HMI & SCADA