

Touch-it SMART Monitor Open Frame glass 10,4

Datasheet

- **Made in Germany**
- **Multitouch**
- **24h/7d – Industrial Grade**
- **Fanless**
- **Long Term Availability**

PANEL

LCD Size	10.4 inch (26.4 cm)	
Resolution	800 x 600	1024 x 768
Aspect Ratio	4 : 3	
Technology	TFT	
Colours	16.2M	
Backlight	LED	
Backlight Life Time	30,000 h	
Luminance*	230 cd/m ²	350 cd/m ²
Contrast Ratio*	500 : 1	1200 : 1
Viewing Angle* (right/left/up/down)	80°/80°/60°/70°	88°/88°/88°/88°
Touch	Projected Capacitive Touch, Anti-Glare, Multitouch	

*The values are referring to the displays only.

STANDARD INTERFACES

USB	2 x USB Host 2.0 (Type A)
Video	1 x 1 Gbit Ethernet (RJ-45)

OPTIONAL INTERFACES

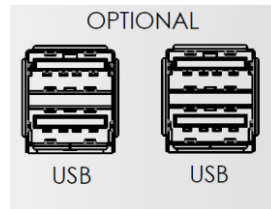
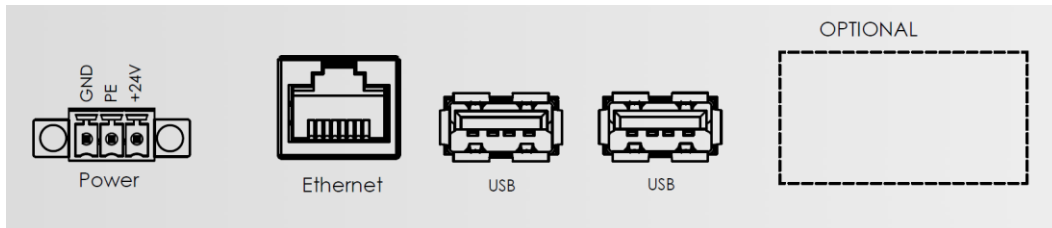
USB	4 x USB Host 2.0 (Type A, max. Total Current 0.5 A)
------------	---

Touch-it SMART Monitor Open Frame glass 10,4

Datasheet

POWER SUPPLY

Supply Voltage	24 VDC \pm 20%	
Power Consumption (max)	14 W	15 W
Power Connector	Phoenix 3-pol MC 1,5/ 3-STF-3,5 BK (screwable) / Phoenix 3-pol MC 1,5/ 3-ST-3,5 BK	



INTERFACES

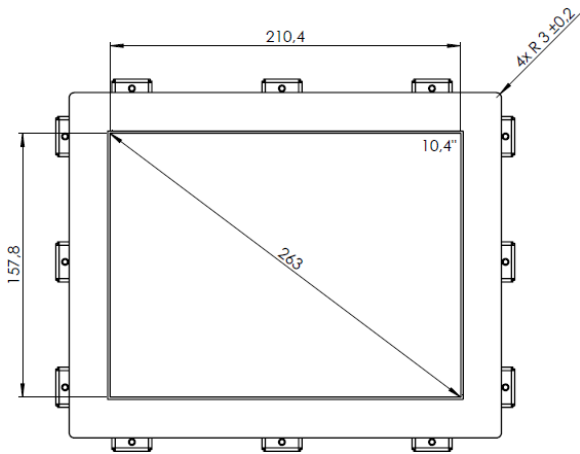
MECHANICAL & ENVIRONMENTAL

Housing Front	Glass, without Frame
Housing	Metallic Cover
Dimensions	259.2 \pm 0.2 mm x 206.4 \pm 0.2 mm x 58 mm
Weight	1.4 kg
Cooling	Passive
Operating Temperature	0 ~ 50 °C
Storage Temperature	-10 ~ 70 °C
Humidity	5 ~ 80% (non condensing)
Protection Class	IP65 (IP20 rear)
Certification	CE, EN55022, EN55024, DIN EN ISO 9001

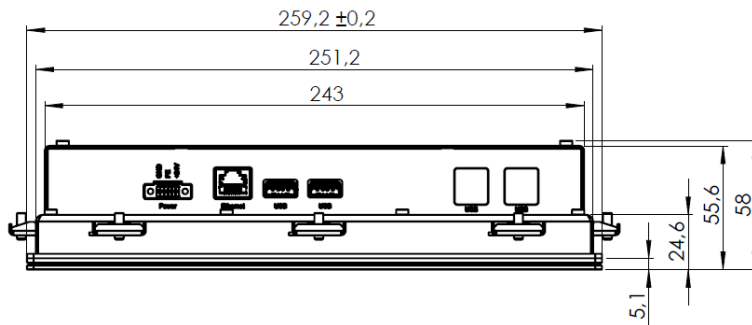
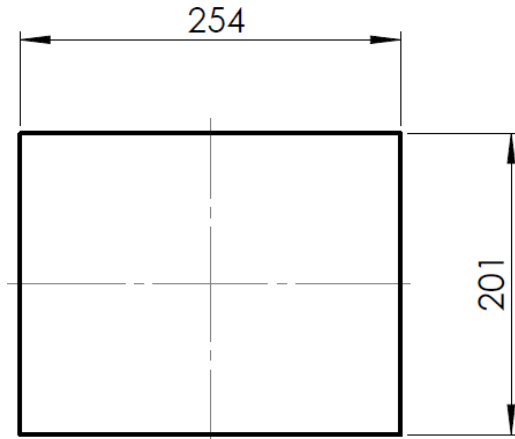
Touch-it SMART Monitor Open Frame glass 10,4

Datasheet

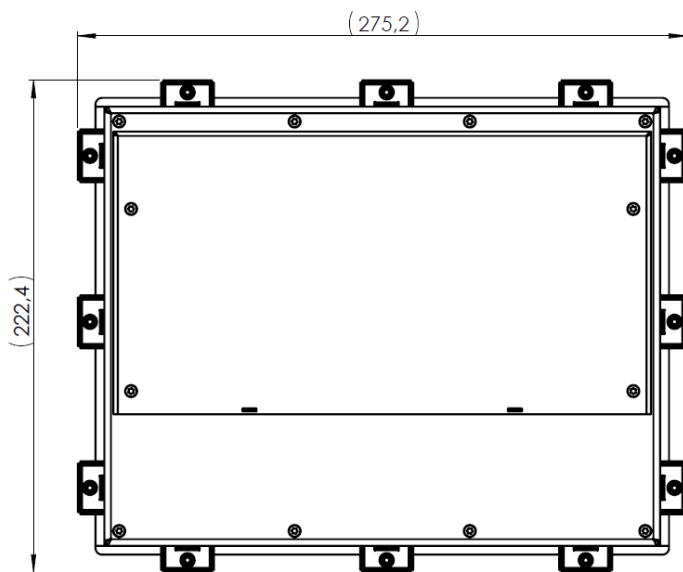
DIMENSIONS



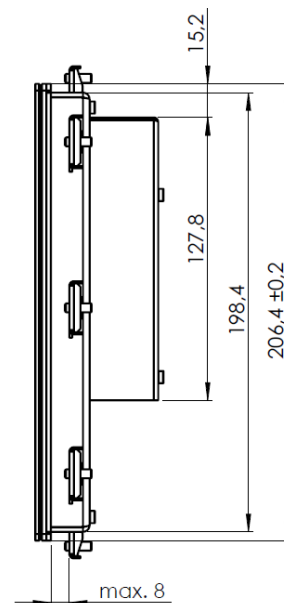
FRONT VIEW



BOTTOM VIEW



REAR VIEW



SIDE VIEW

Touch-it SMART Monitor Open Frame glass 10,4

Datasheet

ORDERING INFORMATION

Art. No.:	Display		Optional Interfaces
	800 x 600	1024 x 768	
E751023	<input type="checkbox"/>	<input checked="" type="checkbox"/>	<input type="checkbox"/> 4 x USB

DISCLAIMER

Technical data are subject to modification and delivery subject to availability. Any liability that the data and illustrations are complete, actual or correct is excluded. Designations may be trademarks and/or copyrights of the respective manufacturer, the use of which by third parties for their own purposes may infringe the rights of such owner.

CHRIST ELECTRONIC SYSTEMS GMBH
MANUFACTURE OF INDUSTRIAL ELECTRONICS

CONTACT

Christ Electronic Systems GmbH
Alpenstraße 34
87700 Memmingen
Phone: +49 8331/ 83710
www.christ-es.de

FROM IDEAS TO REALITY

We are a German developer and manufacture of innovative HMI-systems for demanding industrial applications. Christ offers an extensive range of

TOUCH PANEL PCs	x86 & ARM
TOUCH MONITORS	7" – 24"
SINGLE BOARD COMPUTER	Windows & Linux
VISUALISATION SYSTEMS	HMI & SCADA