

Touch-it SMART Monitor VESA glass 10,4

Datasheet



- **Made in Germany**
- **Multitouch**
- **Aluminium Silver Housing**
- **Ultra Compact Design, Fanless**
- **VESA 75**

PANEL

LCD Size	10.4 inch (26.4 cm)	
Resolution	800 x 600	1024 x 768
Aspect Ratio	4 : 3	
Technology	TFT	
Colours	16.2M	
Backlight	LED	
Backlight Life Time	30,000 h	
Luminance*	230 cd/m ²	350 cd/m ²
Contrast Ratio*	500 : 1	1200 : 1
Viewing Angle* (right/left/up/down)	80°/80°/60°/70°	88°/88°/88°/88°
Touch	Projected Capacitive Touch, Anti-Glare, Multitouch	

*The values are referring to the displays only.

STANDARD INTERFACES

USB	2 x USB Host 2.0 (Type A)
Video	1 x 1 Gbit Ethernet (RJ-45)

Touch-it SMART Monitor VESA glass 10,4

Datasheet

POWER SUPPLY

Supply Voltage

24 VDC ± 20% /

Optional POE

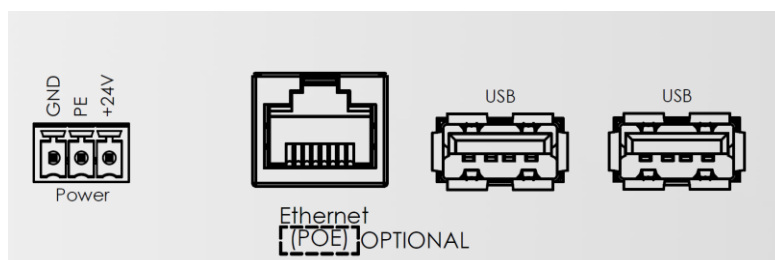
Power Consumption (max)

14 W

15 W

Power Connector

Phoenix 3-pol MC 1,5/ 3-STF-3,5 BK (screwable) /
Phoenix 3-pol MC 1,5/ 3-ST-3,5 BK



INTERFACES

MECHANICAL & ENVIRONMENTAL

Housing Front

Glass, Black Frame

Housing

Aluminium / Silver

Dimensions

266 mm x 213.2 mm x 48 mm

Mounting

VESA MIS-D, 75, C

Weight

1.8 kg

Cooling

Passive

Operating Temperature

0 ~ 50 °C

Storage Temperature

-10 ~ 70 °C

Humidity

5 ~ 80% (non condensing)

Protection Class

IP65 (IP20 rear)

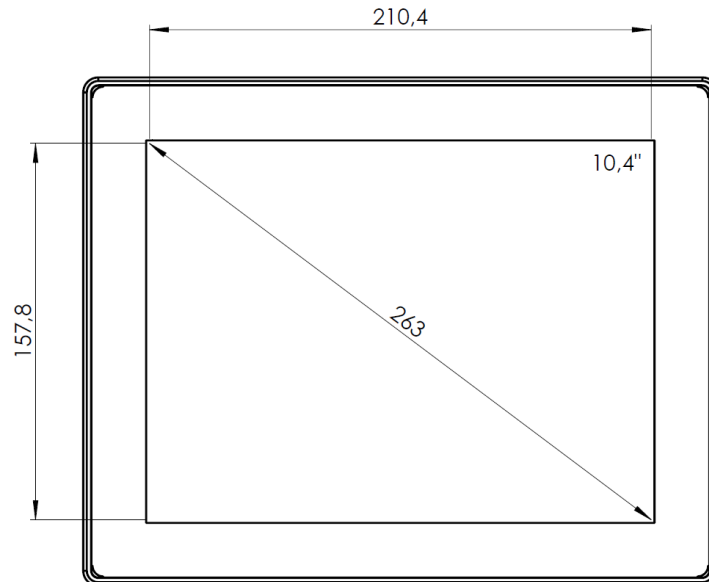
Certification

CE, EN55022, EN55024, DIN EN ISO 9001

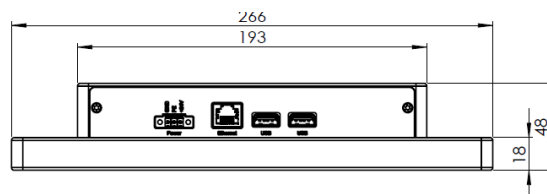
Touch-it SMART Monitor VESA glass 10,4

Datasheet

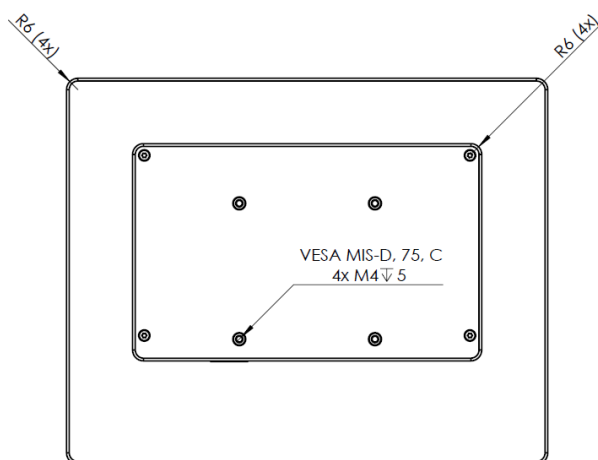
DIMENSIONS



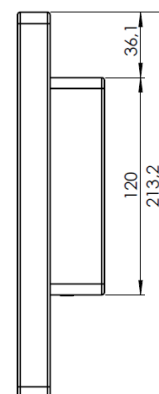
FRONT VIEW



BOTTOM VIEW



REAR VIEW



SIDE VIEW

Touch-it SMART Monitor VESA glass 10,4

Datasheet

ORDERING INFORMATION

Art. No.:	Display		Power
	800 x 600	1024 x 768	POE
E751021	<input type="checkbox"/>	<input checked="" type="checkbox"/>	<input type="checkbox"/>
E751026	<input type="checkbox"/>	<input checked="" type="checkbox"/>	<input checked="" type="checkbox"/>

DISCLAIMER

Technical data are subject to modification and delivery subject to availability. Any liability that the data and illustrations are complete, actual or correct is excluded. Designations may be trademarks and/or copyrights of the respective manufacturer, the use of which by third parties for their own purposes may infringe the rights of such owner.

CHRIST ELECTRONIC SYSTEMS GMBH
MANUFACTURE OF INDUSTRIAL ELECTRONICS

CONTACT

Christ Electronic Systems GmbH
Alpenstraße 34
87700 Memmingen
Phone: +49 8331/ 83710
www.christ-es.de

FROM IDEAS TO REALITY

We are a German developer and manufacture of innovative HMI-systems for demanding industrial applications. Christ offers an extensive range of

TOUCH PANEL PCs	x86 & ARM
TOUCH MONITORS	7" – 24"
SINGLE BOARD COMPUTER	Windows & Linux
VISUALISATION SYSTEMS	HMI & SCADA