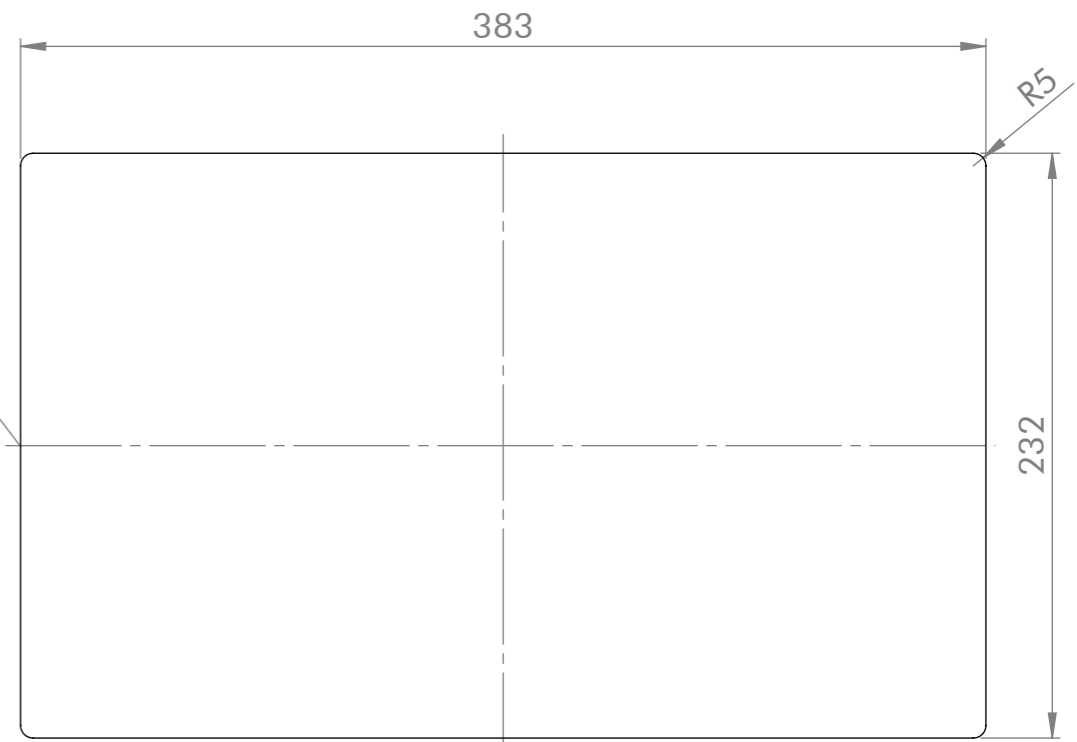
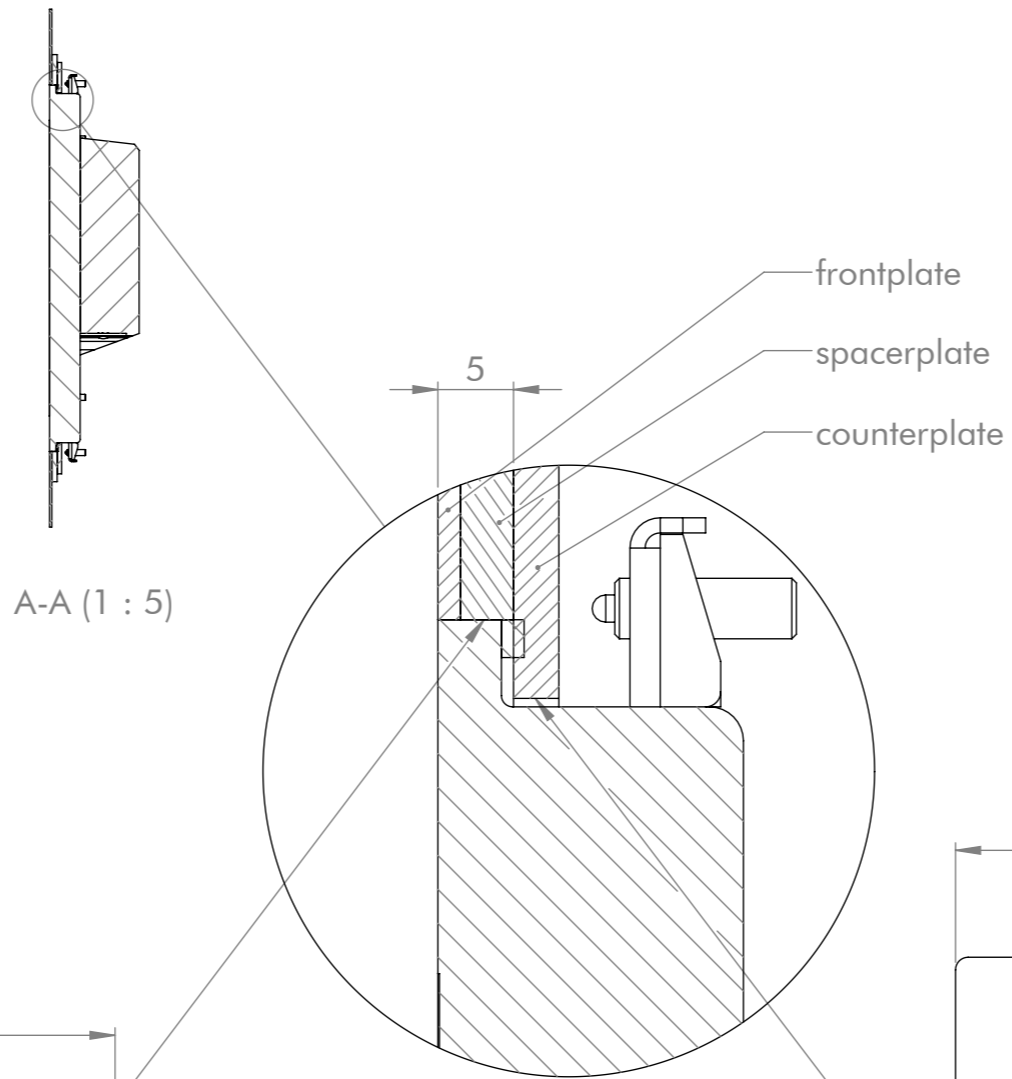
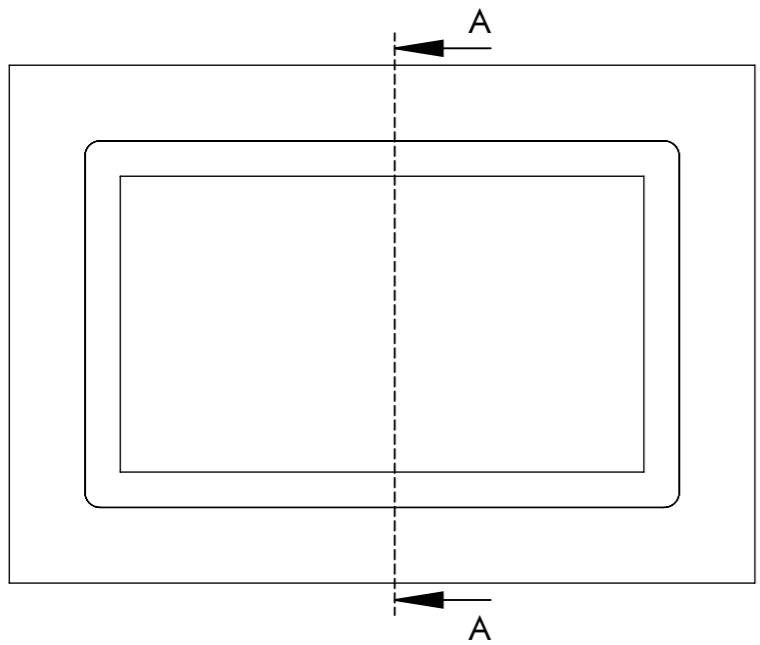
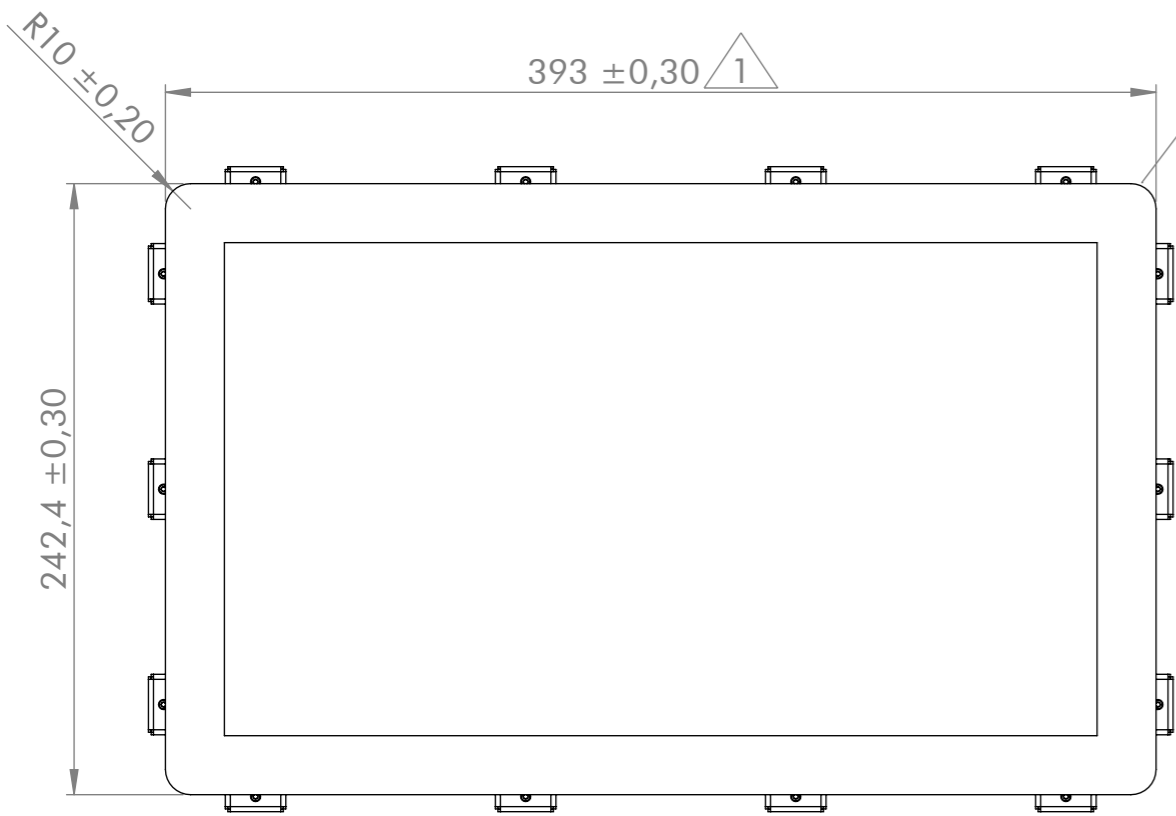


General tolerances DIN ISO 2768-mK			Drawn by: EN	Drawing for mechanical measurements only. For more details see datasheet.	
Document type: general arrangement drawing			Proved by: EN	Article designation: Touch Industrial Open Frame 15.6	
			Release date: 2022-05-31	Drawing number: PA10010875	
01	2022-05-31	CH		Scale: 1:3	
Rev.	Date	Name		Page: 1/2	
Proprietary notice ISO 16016 to be considered					A3



cut-out counterplate



cut-out front- & spacerplate*

* The actual cut-out-dimensions of the front- and spacerplate need to be subjected to the prevalent assembly situation (production tolerances, ambient temperature, etc.) and therefore to be defined by the customer.

General tolerances DIN ISO 2768-mK			Drawn by: EN	Drawing for mechanical measurements only. For more details see datasheet.	
Document type: general arrangement drawing			Proved by: EN	Article designation: Touch Industrial Open Frame 15.6	
			Release date: 2022-05-31	Drawing number: PA10010875	
				Scale: 1:3	
01	2022-05-31	CH		Page: 2/2	
Rev.	Date	Name	Proprietary notice ISO 16016 to be considered		A3