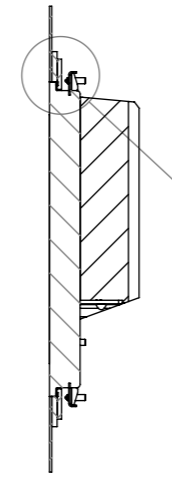
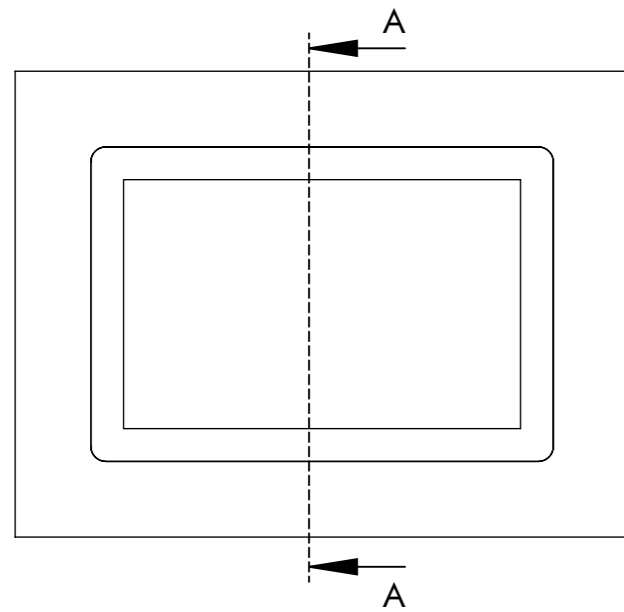
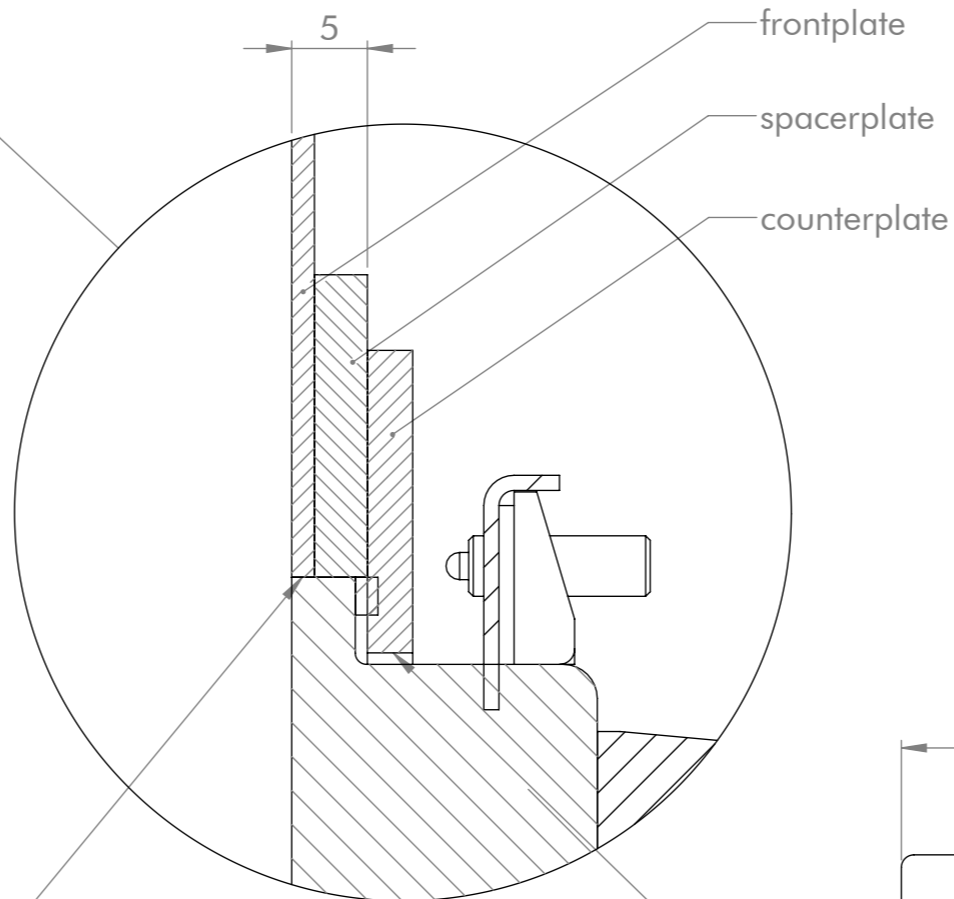


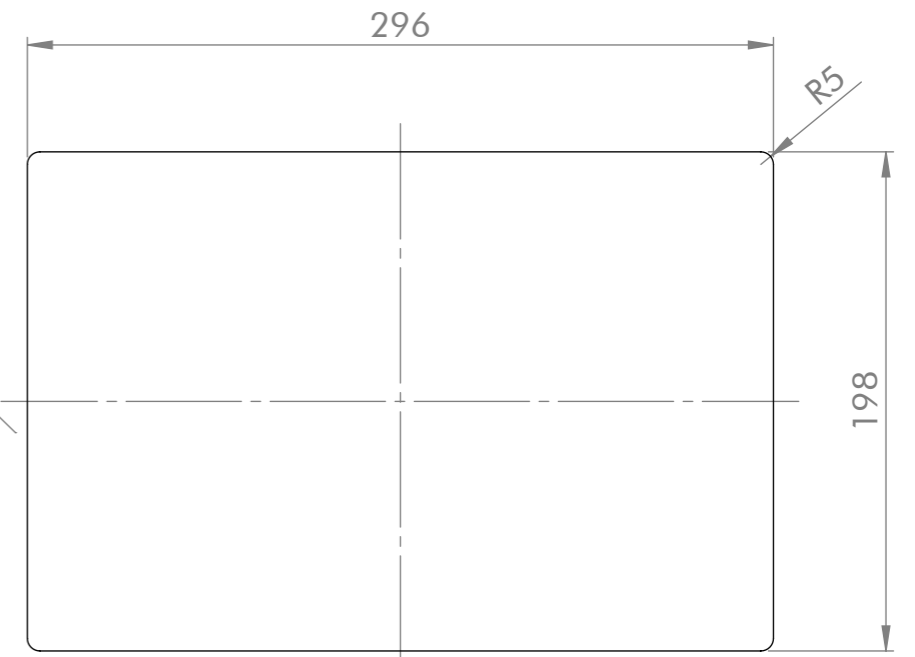
General tolerances DIN ISO 2768-mK			Drawn by: CH	Drawing for mechanical measurements only. For more details see datasheet.	
Document type: general arrangement drawing			Proved by: JT	Article designation: <b>Touch Industrial Open Frame 12.1</b>	
			Release date: 2022-05-10	Drawing number: <b>PA10010873</b>	
Rev.	Date	Name	<b>Christ</b> ELECTRONIC SYSTEMS		Scale: 1:3
					Page: 1/2
Proprietary notice ISO 16016 to be considered					A3



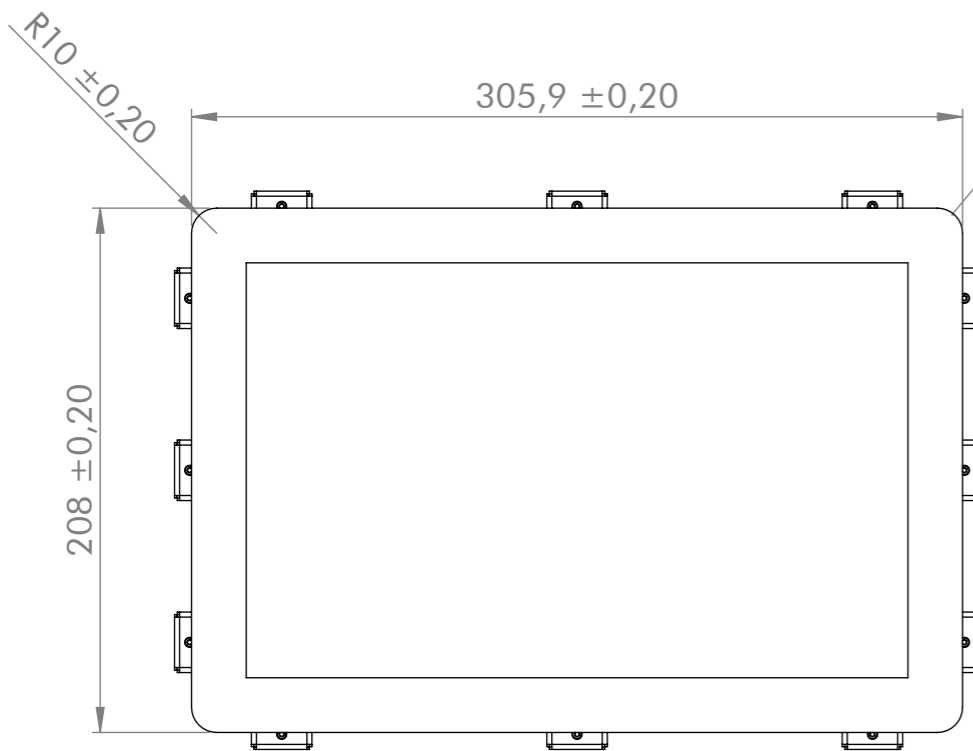
A-A (1 : 5)



DETAIL B  
SCALE 2 : 1




cut-out counterplate



cut-out front- & spacerplate\*

\* The actual cut-out-dimensions of the front- and spacerplate need to be subjected to the prevalant assembly situation (production tolerances, ambient temperature, etc.) and therefore to be defined by the customer.

General tolerances DIN ISO 2768-mK			Drawn by: CH	Drawing for mechanical measurements only. For more details see datasheet.	
Document type: general arrangement drawing			Proved by: JT	Article designation: <b>Touch Industrial Open Frame 12.1</b>	
			Release date: 2022-05-10	Drawing number: <b>PA10010873</b>	
				Scale: 1:3	
Rev.	Date	Name		Page: 2/2	
Proprietary notice ISO 16016 to be considered					A3