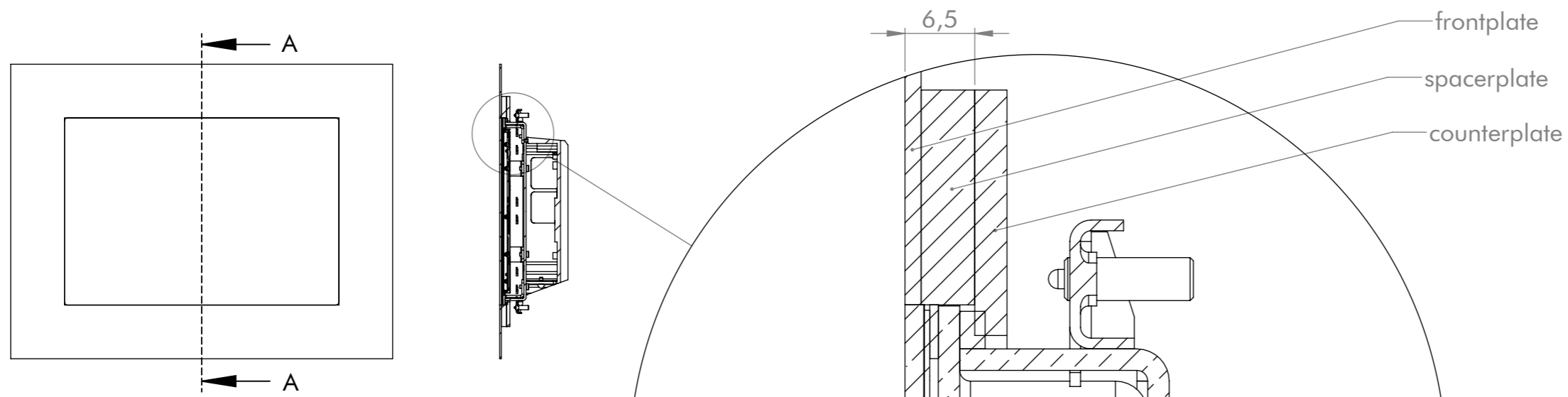
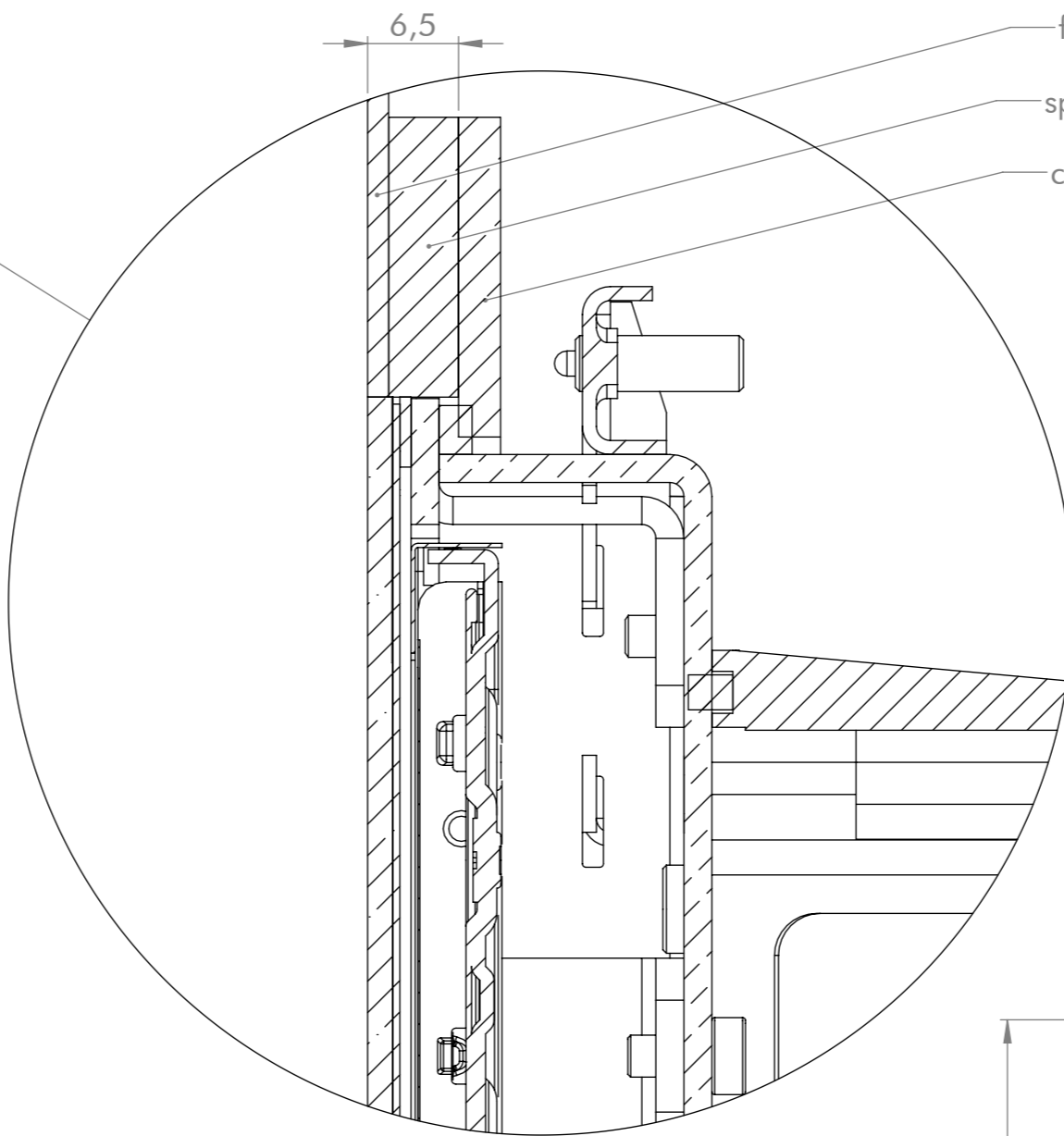


General tolerances DIN ISO 2768-mK			Drawn by: JT	Drawing for mechanical measurements only. For more details see datasheet.	
Document type: general arrangement drawing			Proved by: PM	Article designation: Touch-it Open Frame glass 10,1	
			Release date: 2022-02-21		
				Drawing number: PA10010382	Scale: 1:2.5
Rev.	Date	Name			Page: 1/2
Proprietary notice ISO 16016 to be considered					
					A3

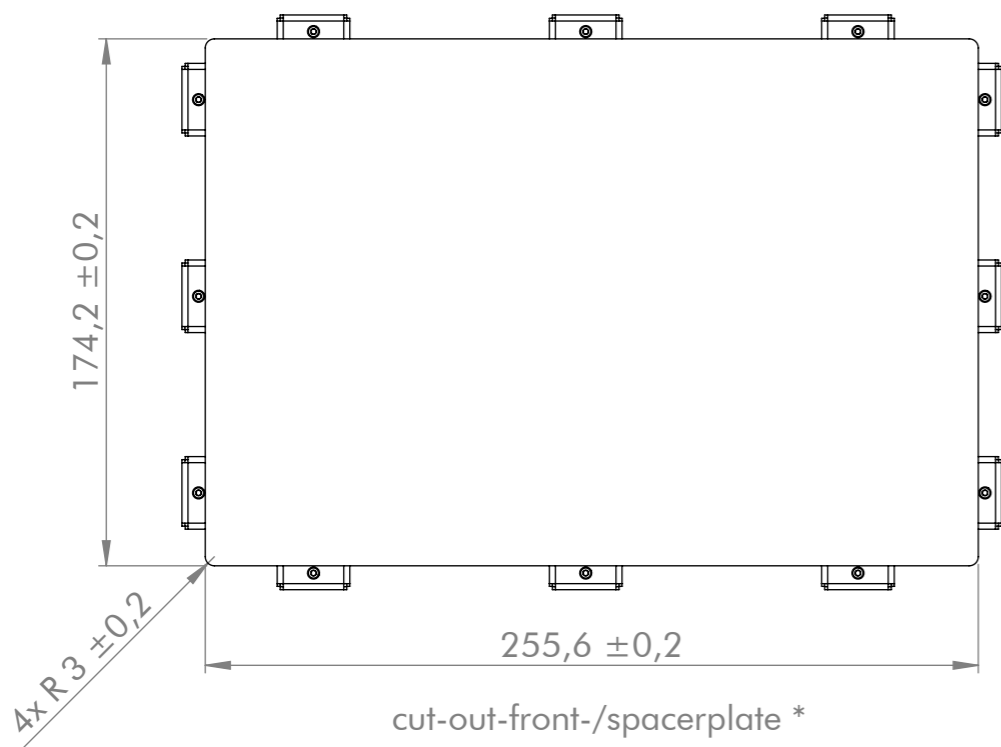
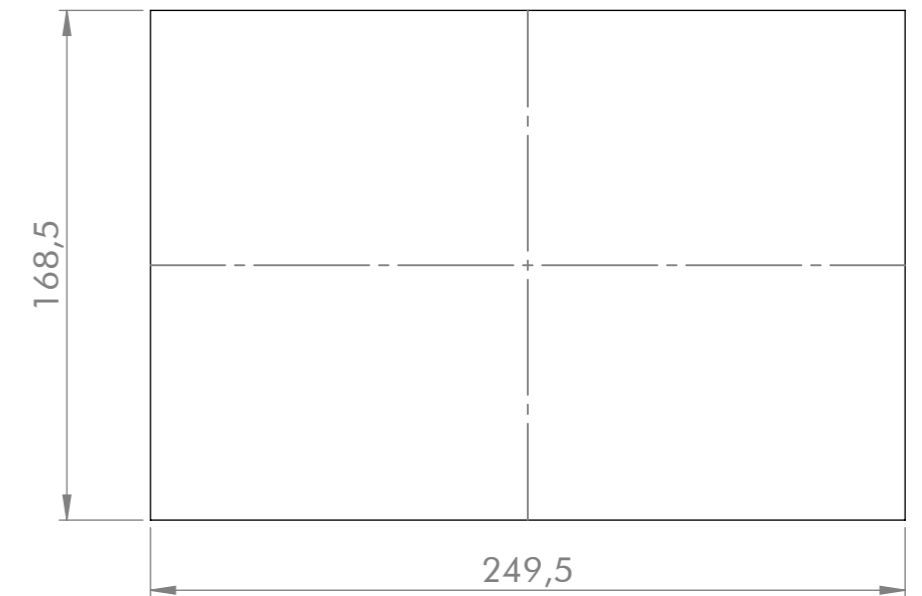


A-A (1 : 5)



DETAIL B
MAßSTAB 2 : 1

cut-out-counterplate



cut-out-front-/spacerplate *

* The actual cut-out-dimensions of the front- and spacerplate need to be subject to the prevalent assembly situation (production tolerances, ambient temperature, etc.) and therefore to be defined by the customer.

General tolerances DIN ISO 2768-mK		Drawn by: JT	Drawing for mechanical measurements only. For more details see datasheet.	
Document type: general arrangement drawing		Proved by: PM	Article designation: Touch-it Open Frame glass 10,1	
		Release date: 2022-02-21		
			Drawing number: PA10010382	Scale: 1:2.5
Rev.	Date			Page: 2/2
				A3