
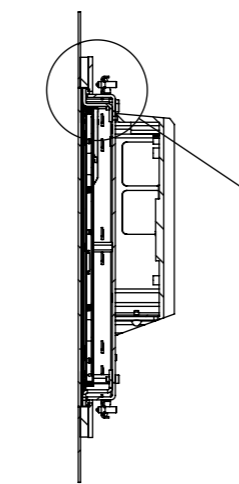
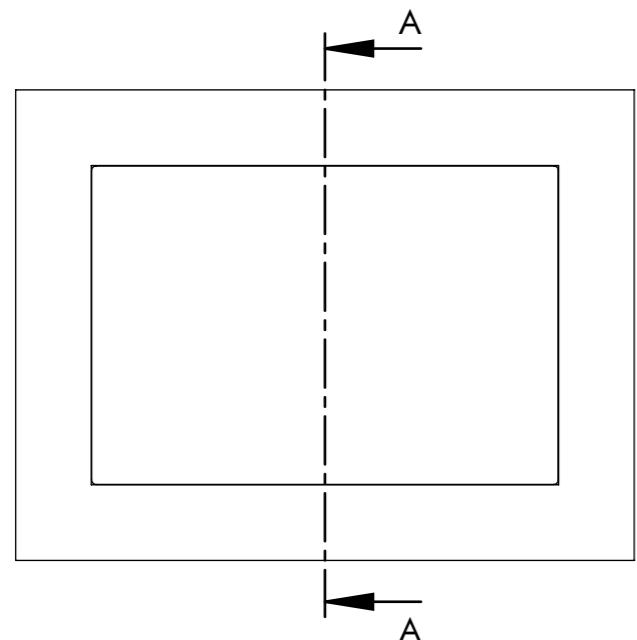
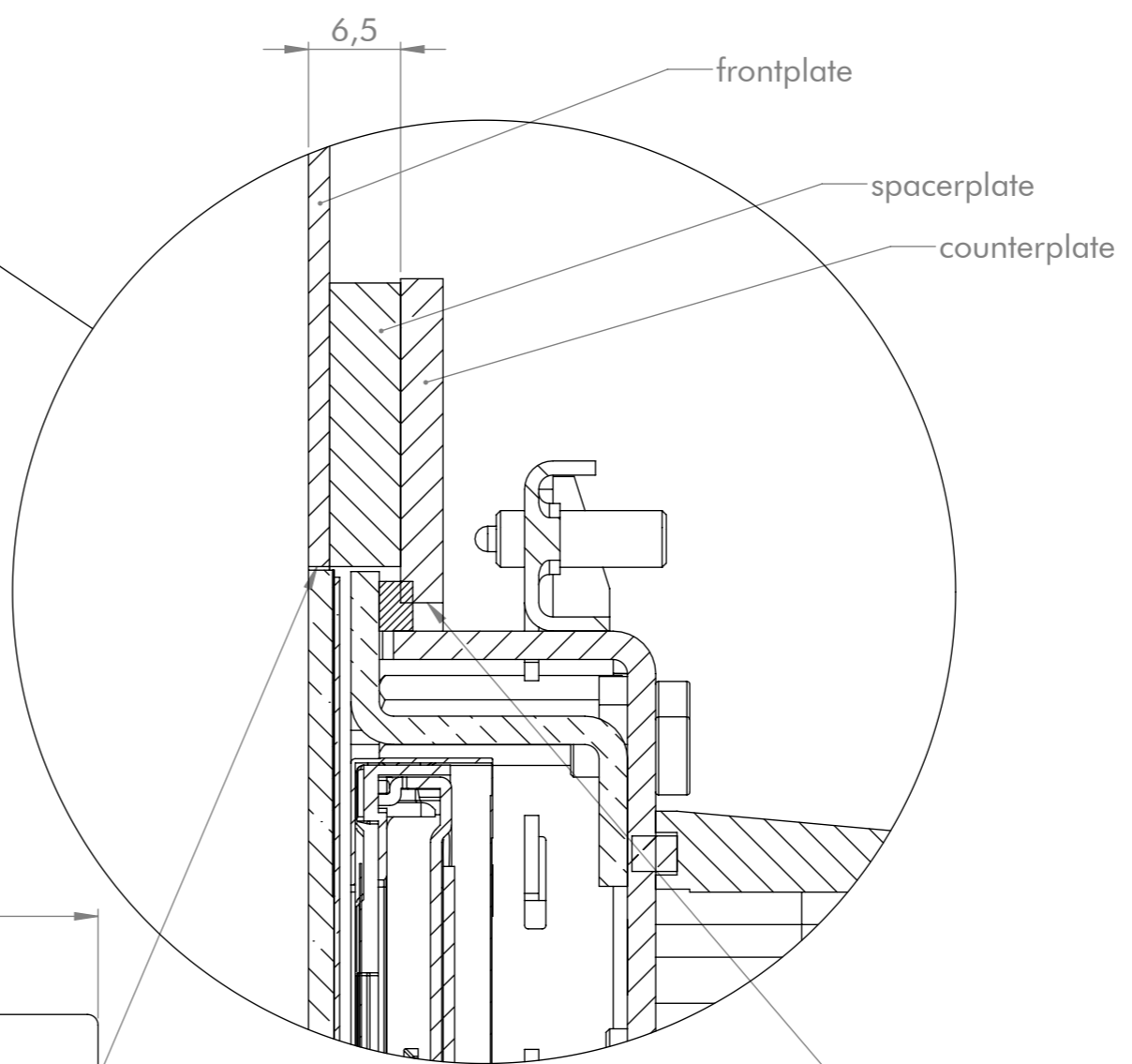


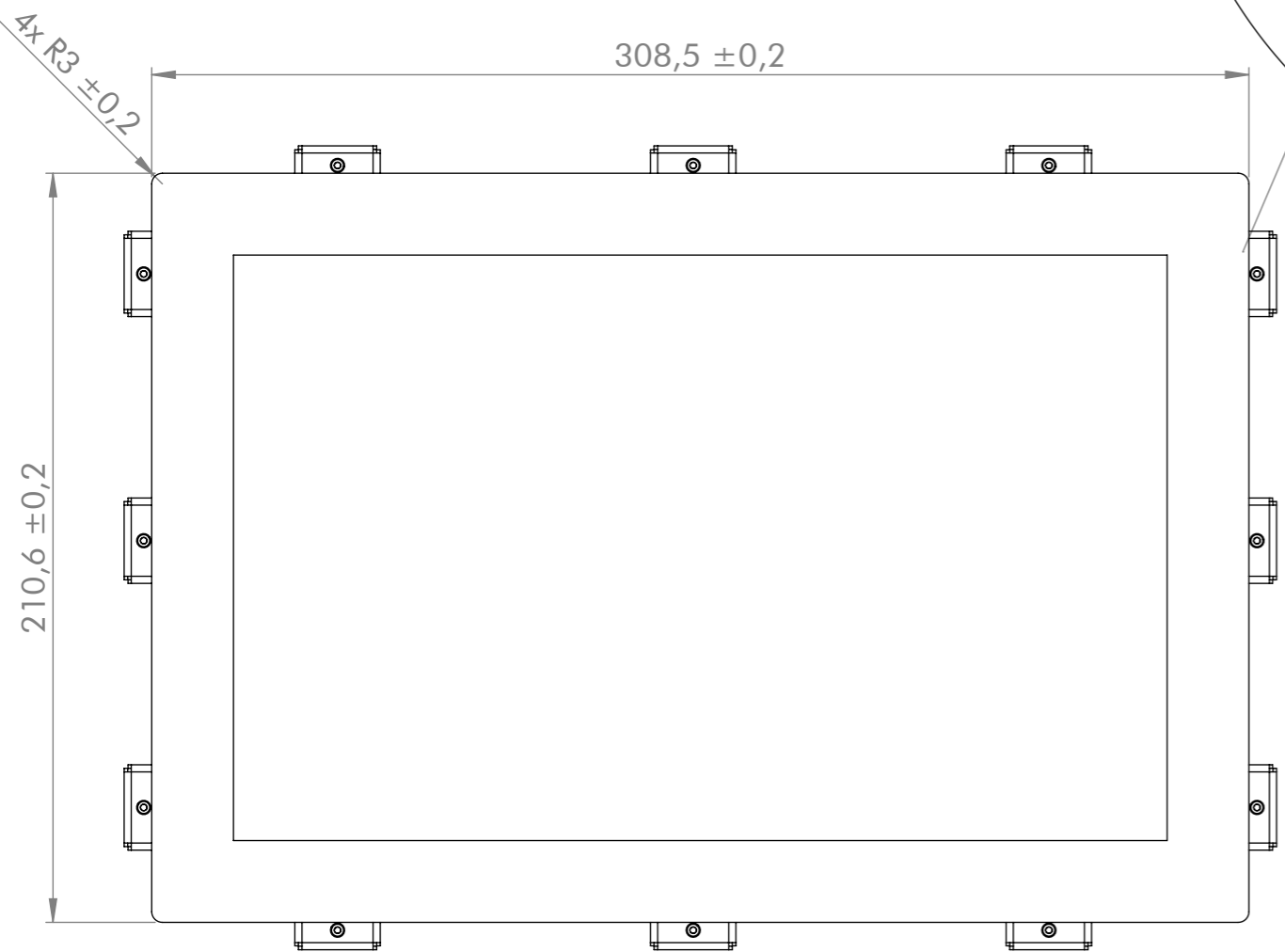
General tolerances DIN ISO 2768-mK			Drawn by: CH	Drawing for mechanical measurements only. For more details see datasheet.	
Document type: general arrangement drawing			Proved by: PM	Article designation: Touch-it Open Frame glass 12,1	
			Release date: 2022-02-08		
				Drawing number: PA10010251	Scale: 1:3
Rev.	Date	Name			Page: 1/2
Proprietary notice ISO 16016 to be considered					
					A3



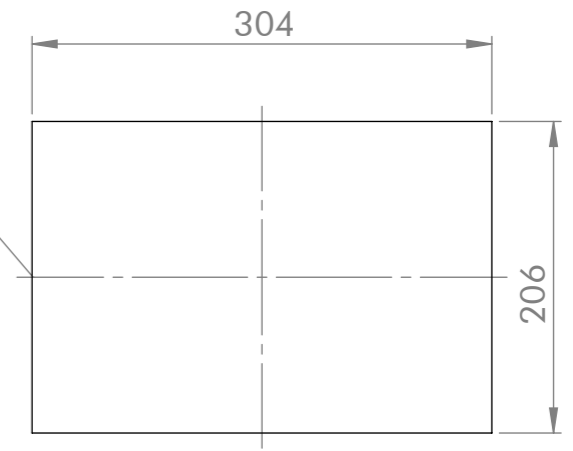
SCHNITT A-A  
MAßSTAB 1 : 5



DETAIL B  
MAßSTAB 2 : 1



cut-out - front-spacerplate\*  
Maßstab: 1:2



cut-out - counterplate

\* The actual cut-out-dimensions of the front- and spacerplate need to be subject to the prevalent assembly situation (production tolerances, ambient temperature, etc.) and therefore to be defined by the customer.

General tolerances DIN ISO 2768-mK		Drawn by: CH	Drawing for mechanical measurements only. For more details see datasheet.	
Document type: general arrangement drawing		Proved by: PM	Article designation: Touch-it Open Frame glass 12,1	
		Release date: 2022-02-08		
			Drawing number: PA10010251	Scale: 1:5
Rev.	Date		Name	Page: 2/2
<p style="text-align: center;">Proprietary notice ISO 16016 to be considered</p>				