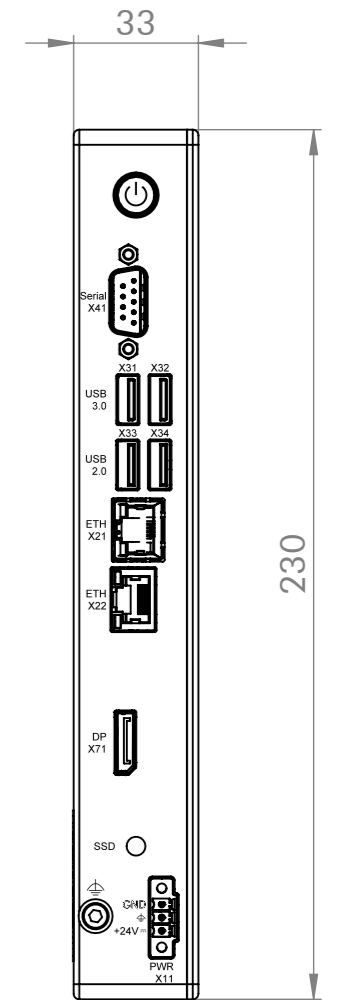
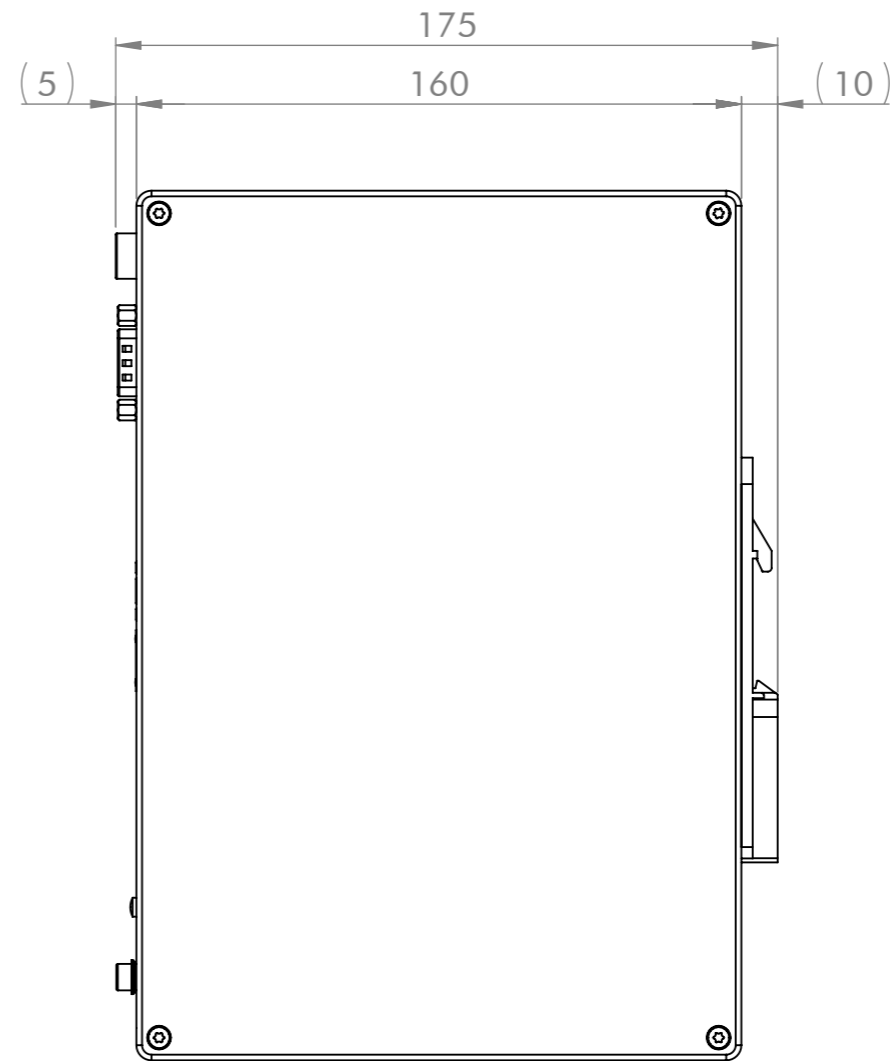
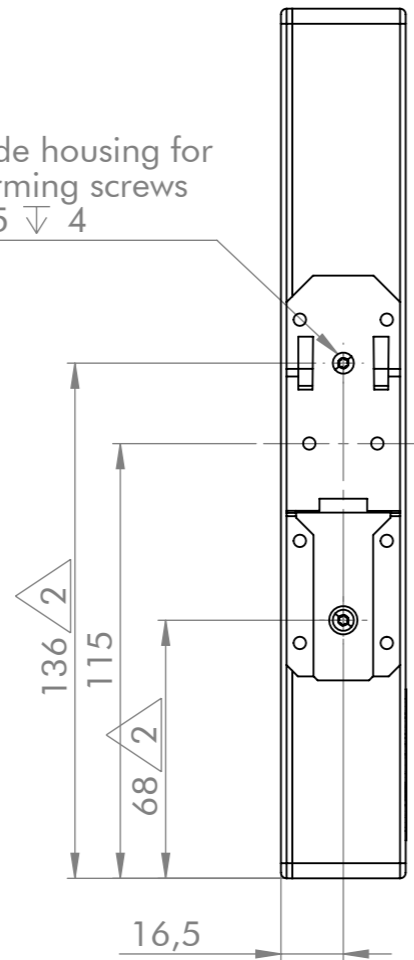


2
holes inside housing for
thread forming screws
2x $\varnothing 2,75 \nabla 4$



General tolerances DIN ISO 2768-mK			Drawn by: AH	Drawing for mechanical measurements only. For more details see datasheet.	
Document type: general arrangement drawing			Proved by: AH	Article designation: Industrial PC Titanium	
			Release date: 2022-01-26		
03	2022-01-11	JT		Drawing number:	Scale:
02	2021-12-09	JT		PA10007408	1:2
01	2021-02-24	AH			Page:
Rev.	Date	Name			1/1
Proprietary notice ISO 16016 to be considered					A3