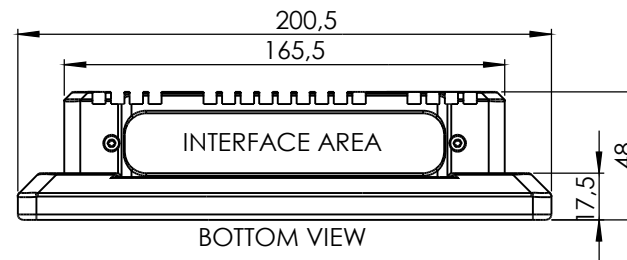
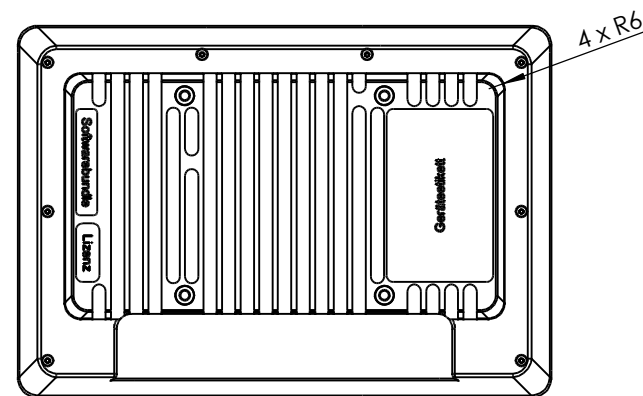


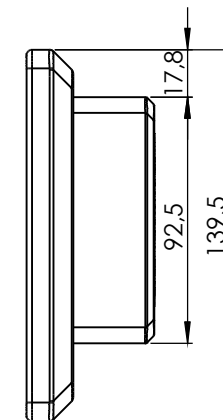
FRONT VIEW



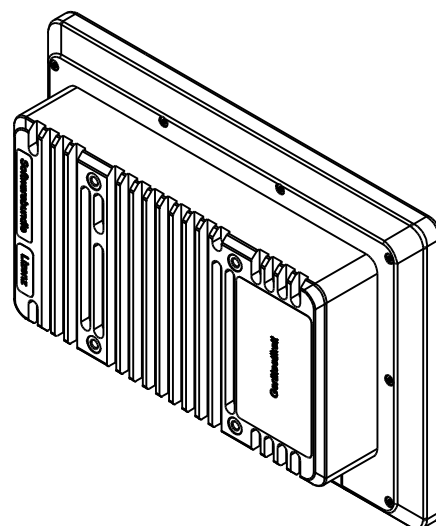
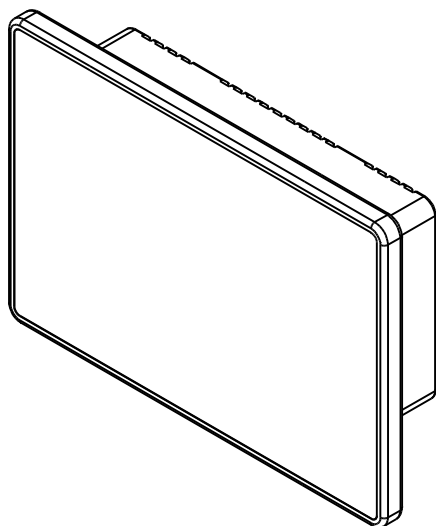
BOTTOM VIEW




REAR VIEW



SIDE VIEW



General tolerances DIN ISO 2768-mK			Drawn by: PL	Material: Raw material:	
Document type: Gesamtzeichnung			Proved by:	Surface treatment:	Scale: 1:2
			Release date:	Touch-it VESA glass 7 Übersichtszeichnung	
					
02	2020-07-01	PL			PA10006173
Rev.	Date	Name	Proprietary notice ISO 16016 to be considered		