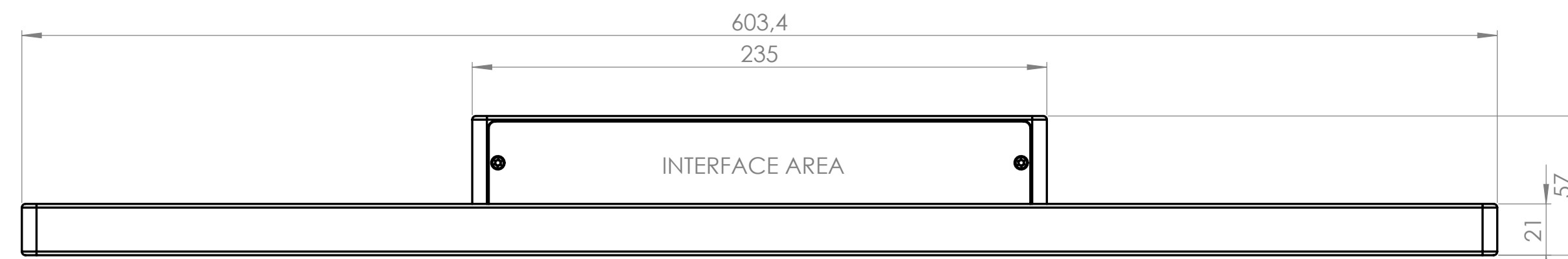
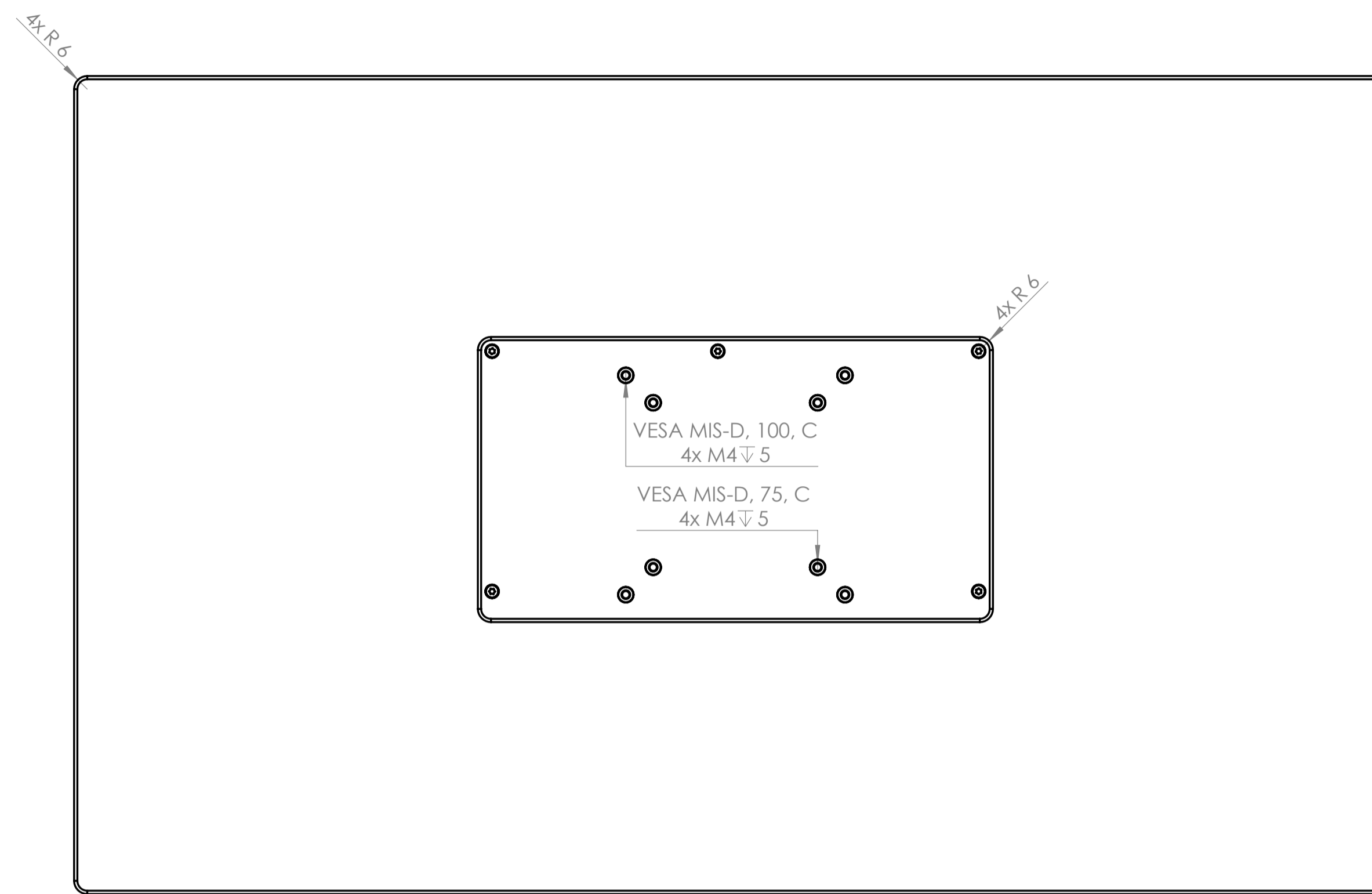


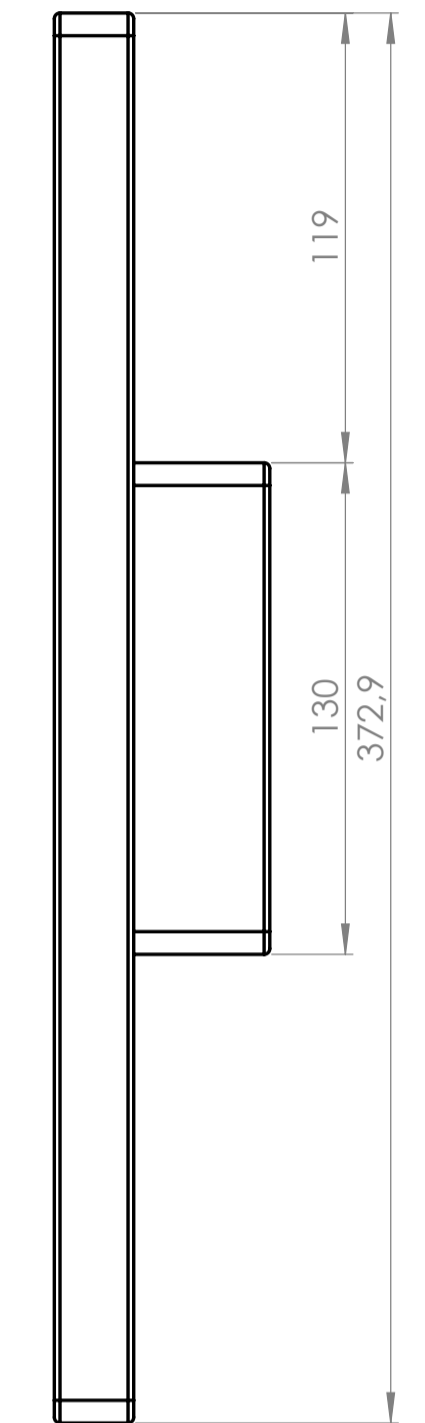
FRONT VIEW



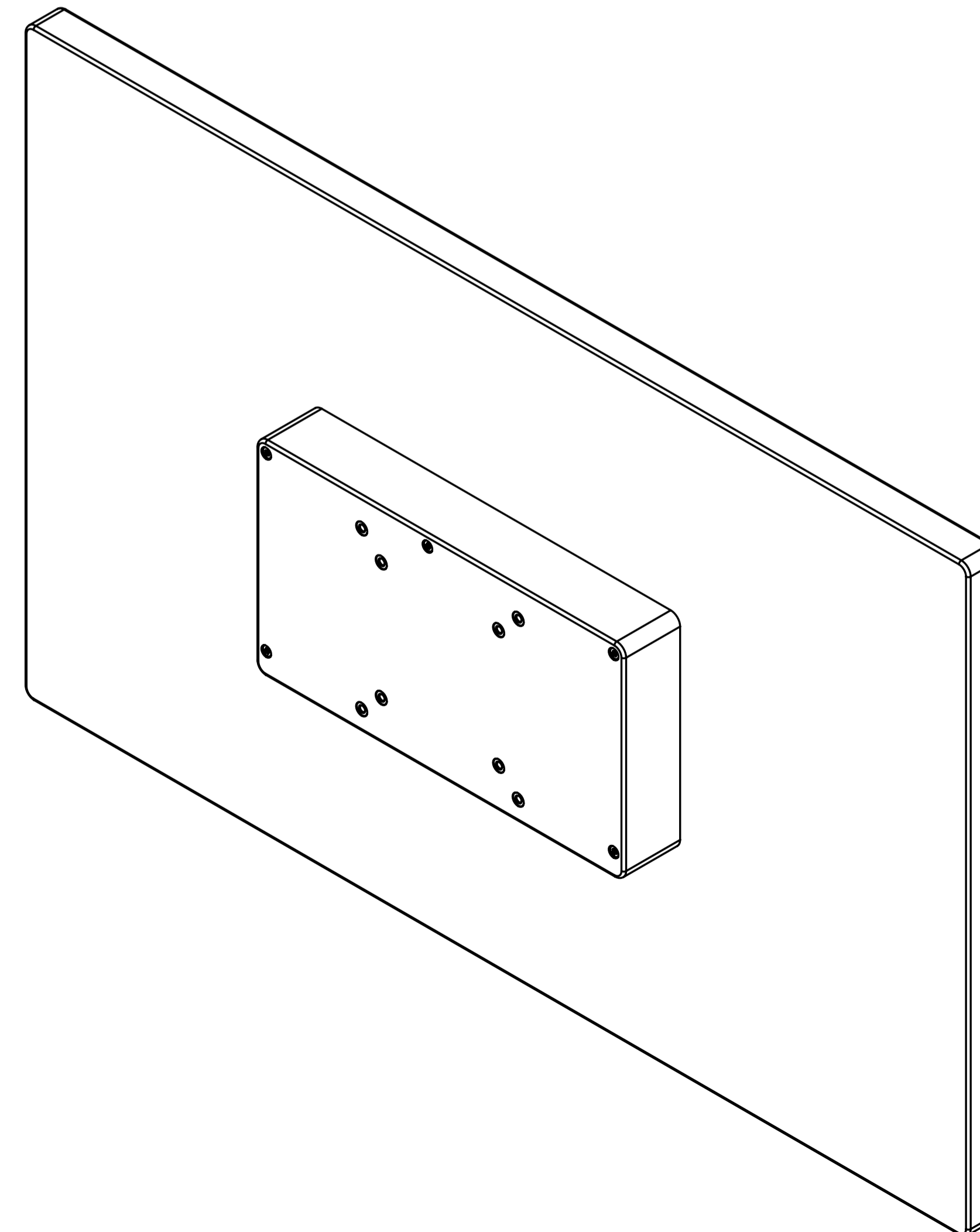
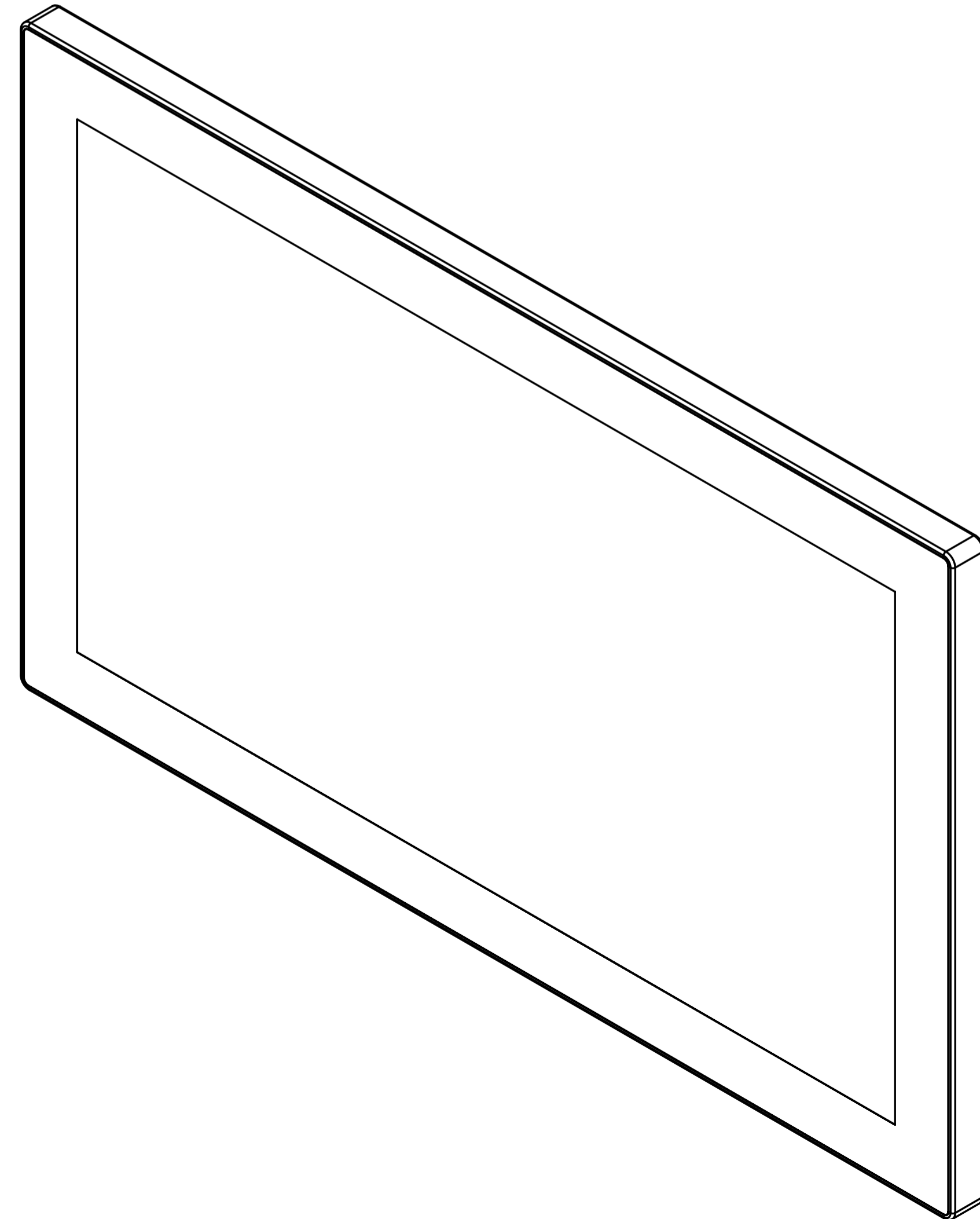
BOTTOM VIEW



REAR VIEW



SIDE VIEW



General tolerances DIN ISO 2768-mK	Drawn by: PL	Material: Raw material:	Scale: 1:2
Document type: general arrangement drawing	Proved by: PL	Surface treatment:	
	Release date: 2020-07-03	Touch-it VESA glass 23,8 Übersichtszeichnung	
		<b>Christ</b> ELECTRONIC SYSTEMS	Page: 1/1
Rev.	Date	Name	PA10006172 A1



Proprietary notice ISO 16016 to be considered