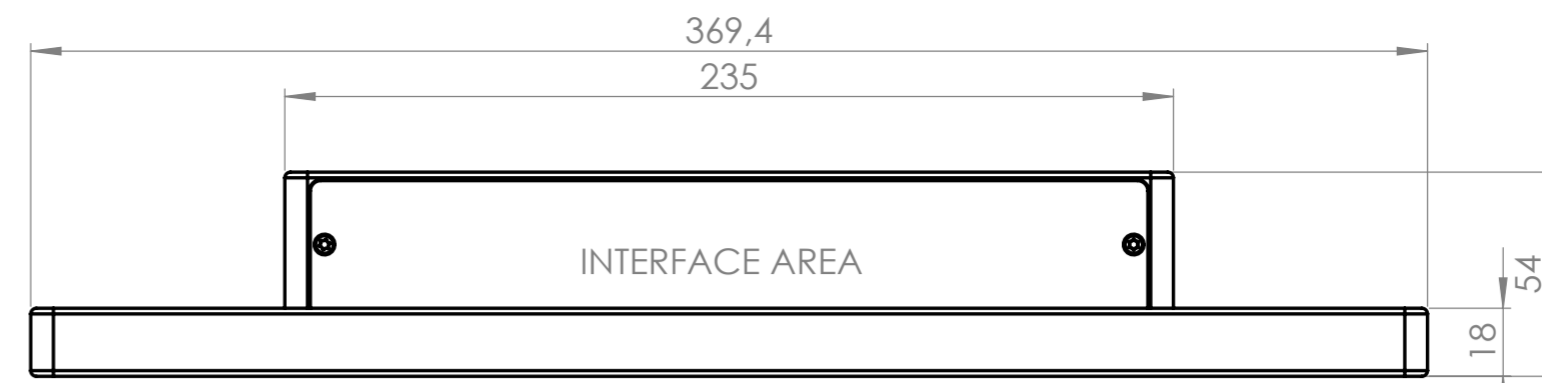
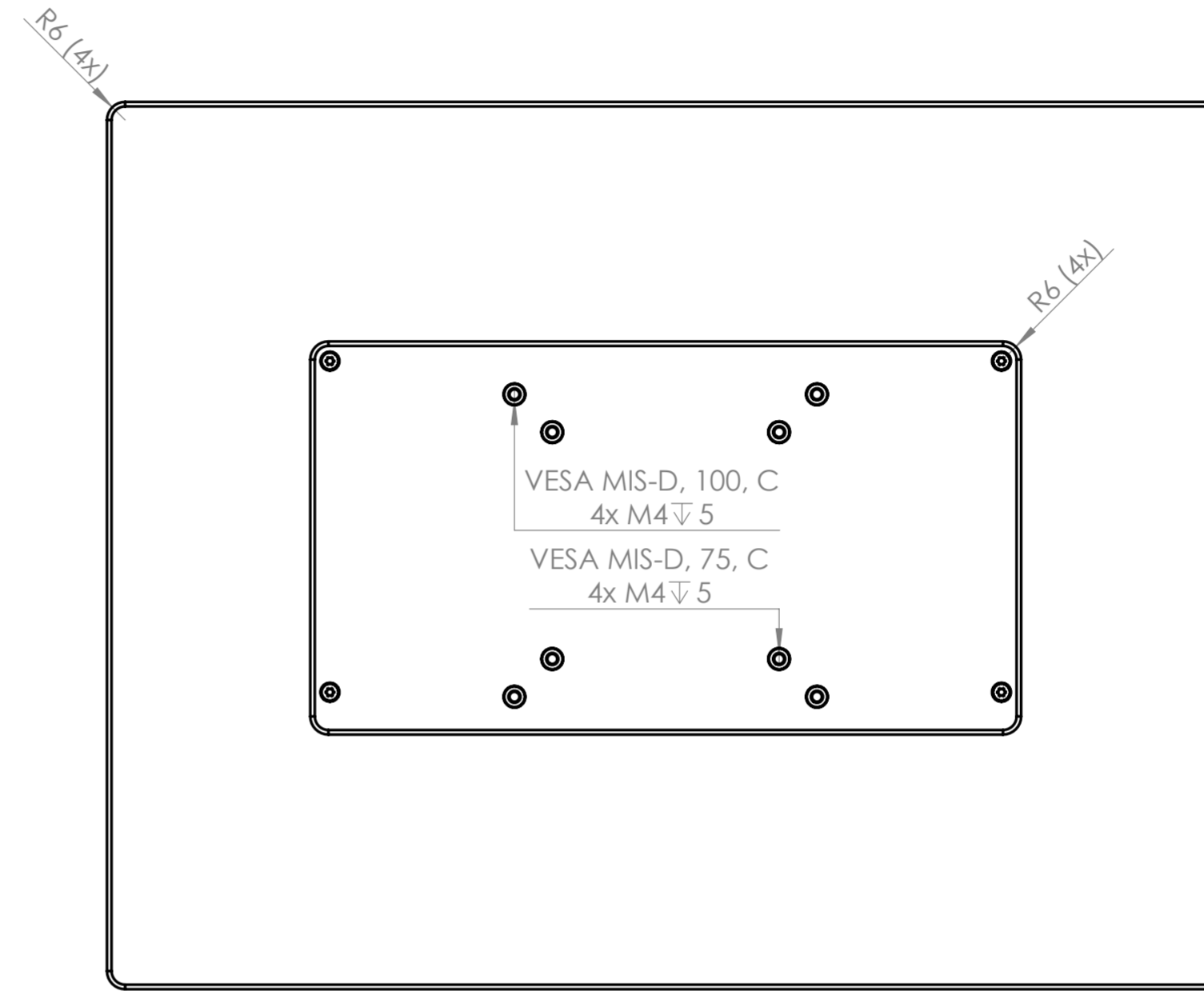


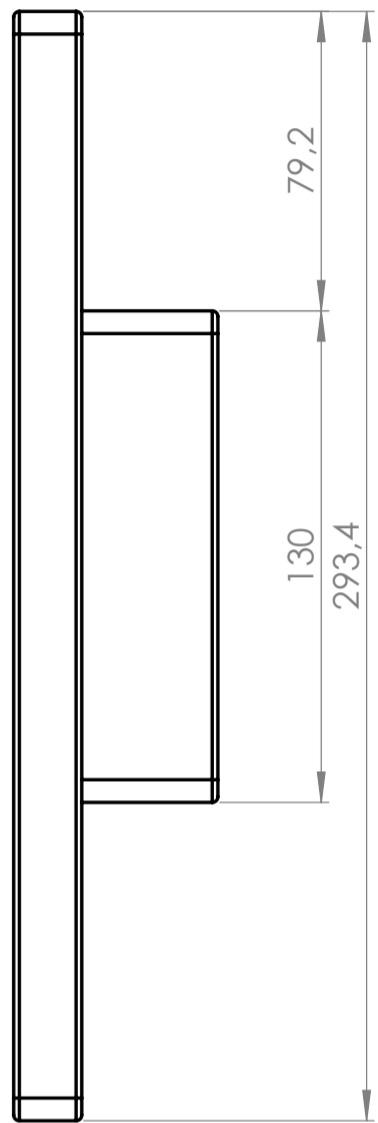
FRONT VIEW



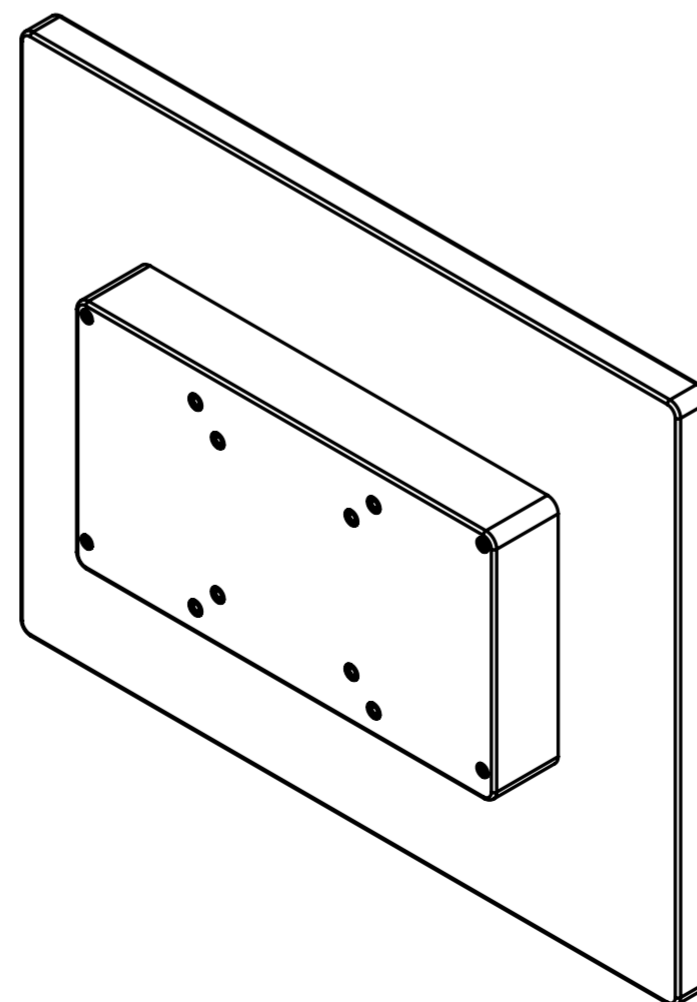
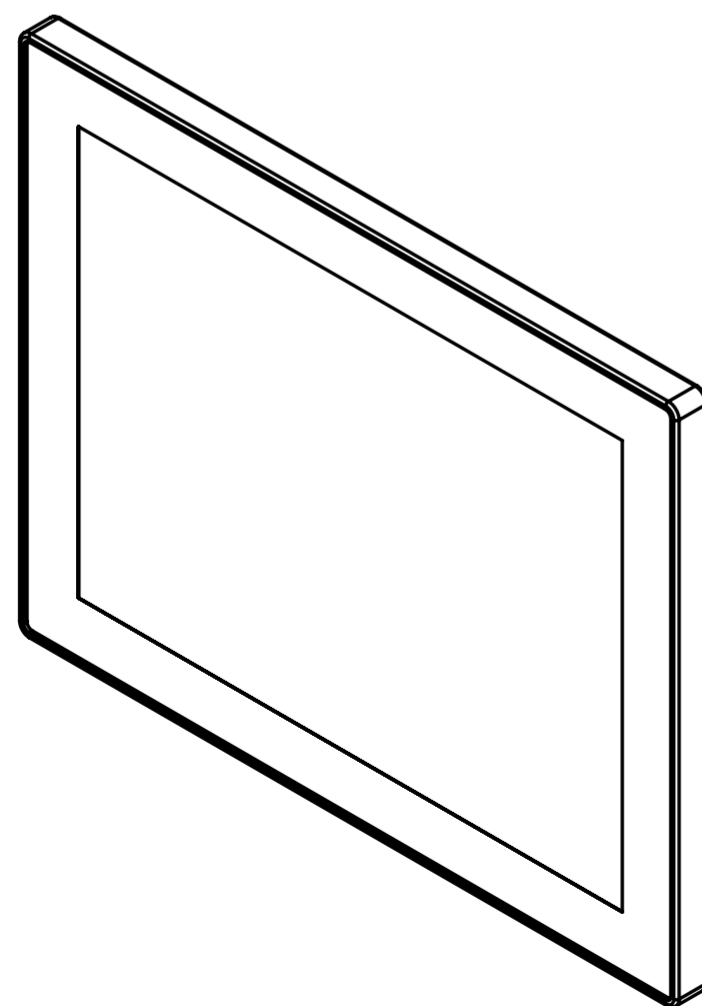
BOTTOM VIEW



REAR VIEW



SIDE VIEW



General tolerances DIN ISO 2768-mK	Drawn by: PL	Material: Raw material:	Scale: 1:2
Document type: general arrangement drawing	Proved by: PL	Surface treatment	
	Release date: 2020-07-06	Touch-it VESA glass 15 Übersichtszeichnung	
		PA10006168	
Rev	Date	Name	Sheet: 1/1 A2



Proprietary notice ISO 16016 to be considered