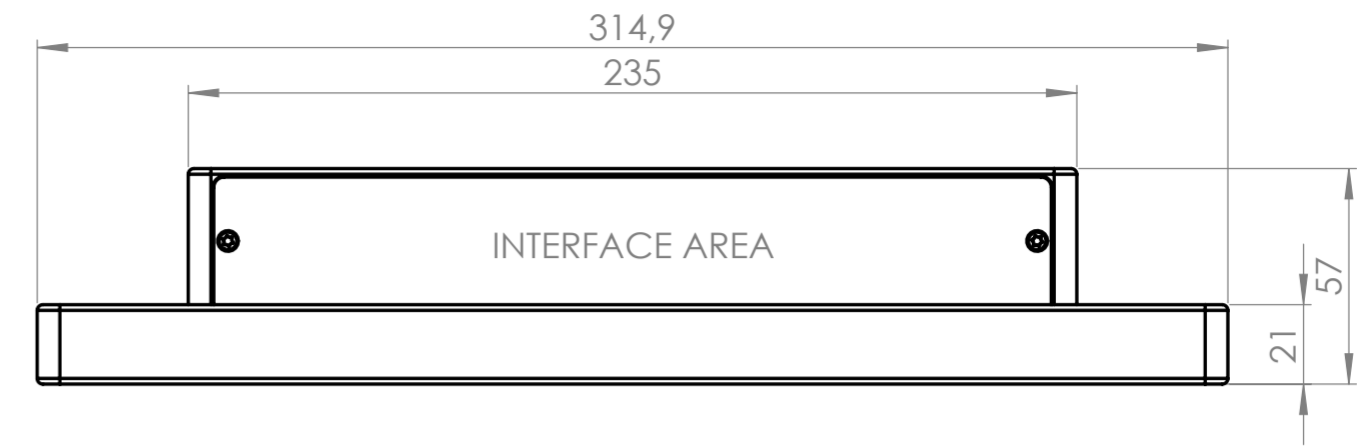
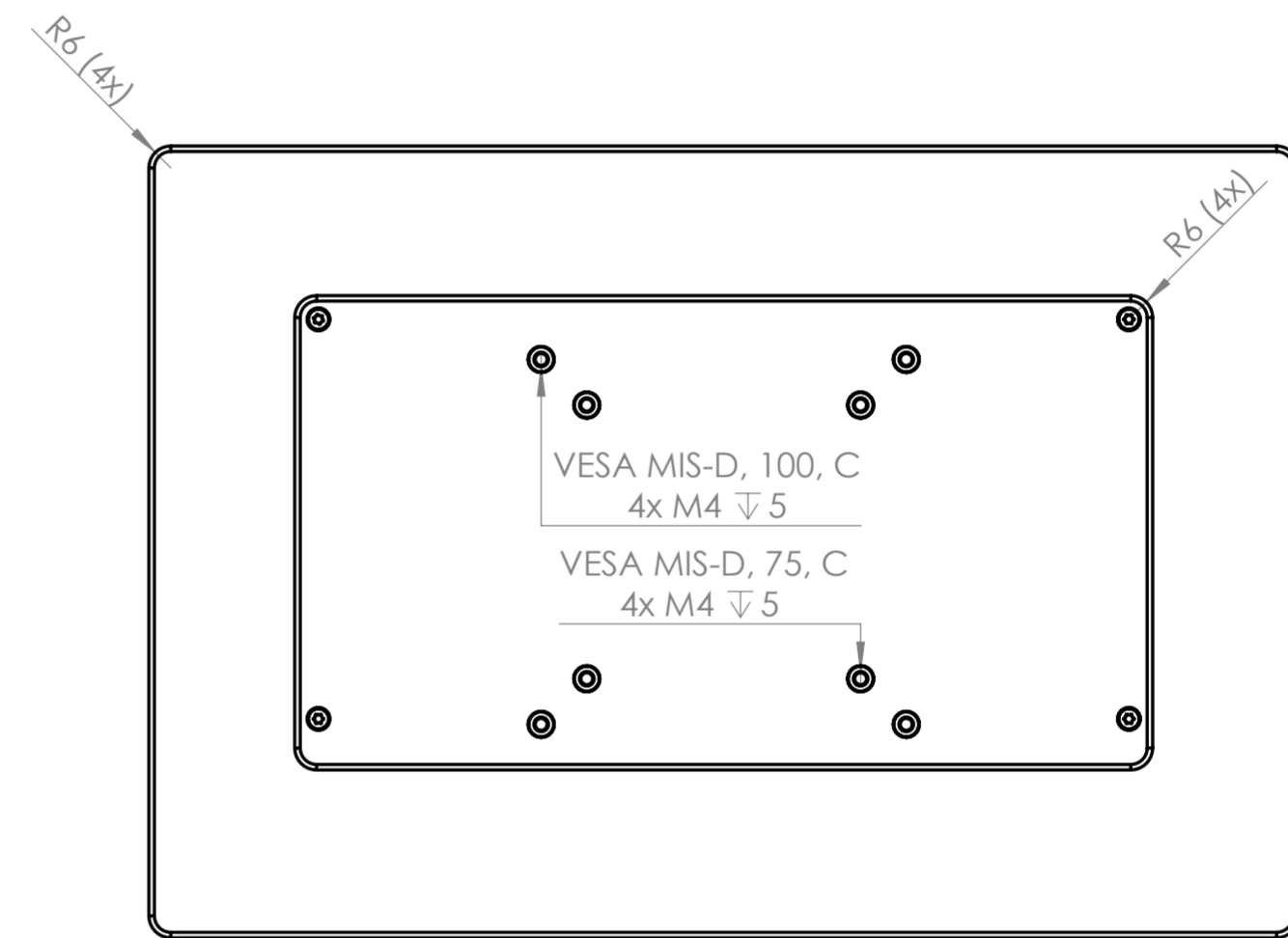


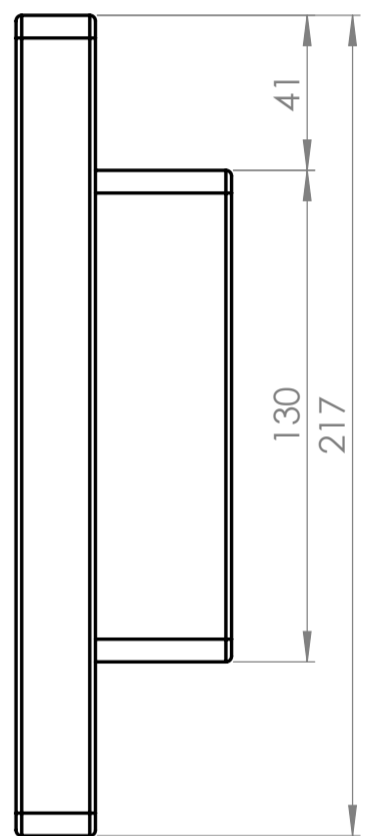
FRONT VIEW



BOTTOM VIEW



REAR VIEW



SIDE VIEW

General tolerances DIN ISO 2768-mK	Drawn by: PL	Material:	
Document type: general arrangement drawing	Proved by: PL	Raw material:	
	Release date: 2020-07-06	Surface treatment:	Scale: 1:2
		Touch-it VESA glass 12,1 Übersichtszeichnung	
Rev.	Date	Name	Page: 1/1 A2
			PA10006167
Proprietary notice ISO 16016 to be considered			