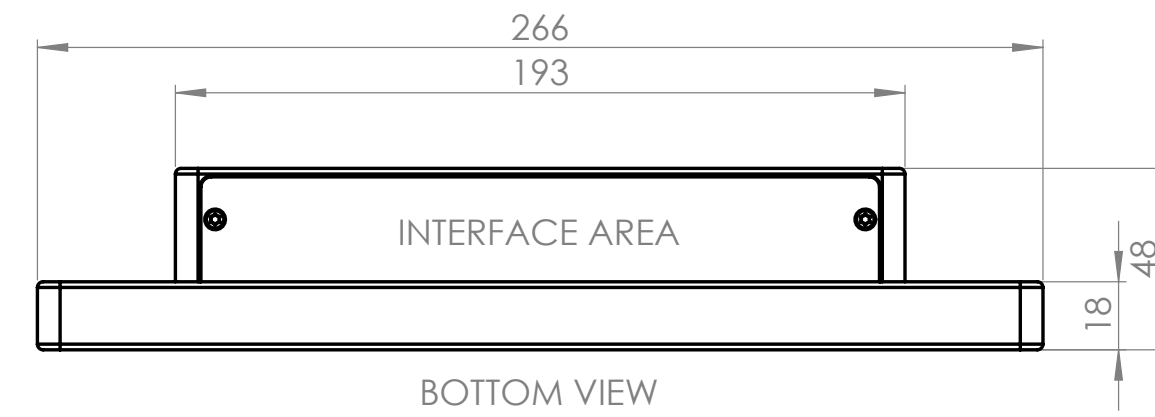
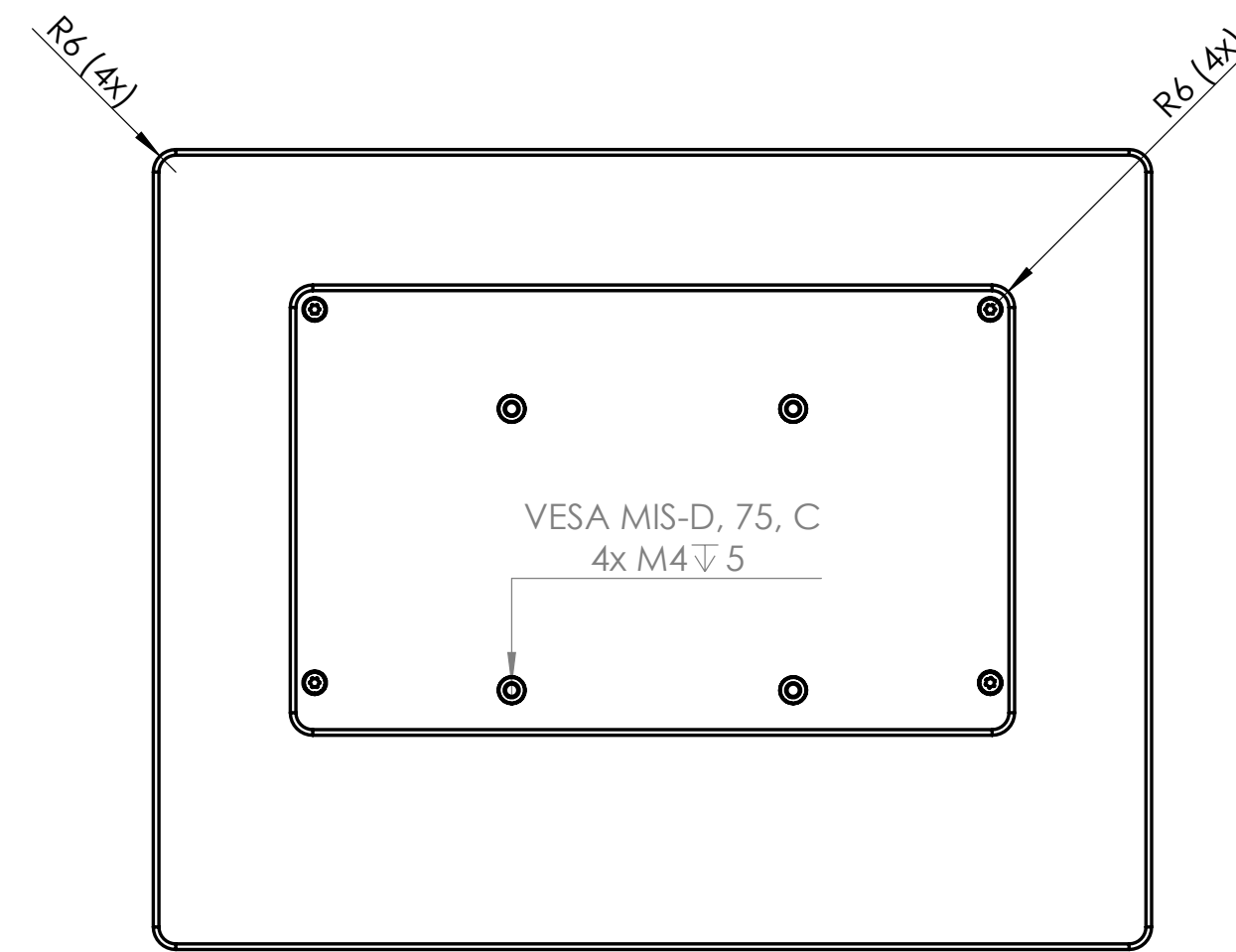


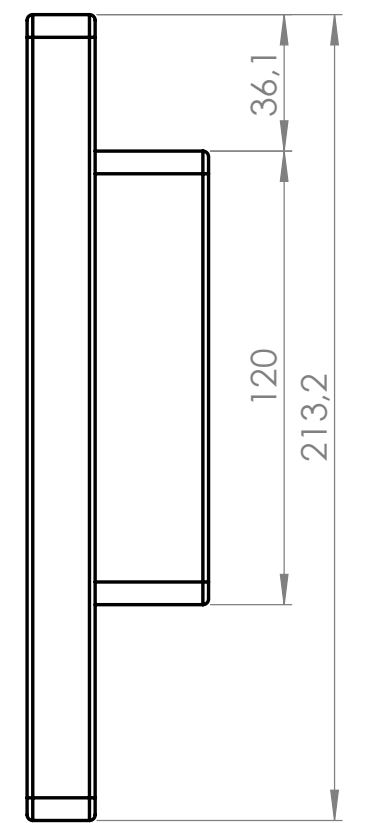
FRONT VIEW



BOTTOM VIEW



REAR VIEW



SIDE VIEW

General tolerances DIN ISO 2768-mK	Drawn by: PL	Material: Raw material:	Scale: 1:2
Document type: general arrangement drawing	Proved by: PL	Surface treatment	
	Release date: 2020-07-06	Touch-it VESA glass 10,4 Übersichtszeichnung	
		<b>Christ</b> ELECTRONIC SYSTEMS	Sheet: 1/1
Rev	Date	Name	A2
Proprietary notice ISO 16016 to be considered			

PA10006166