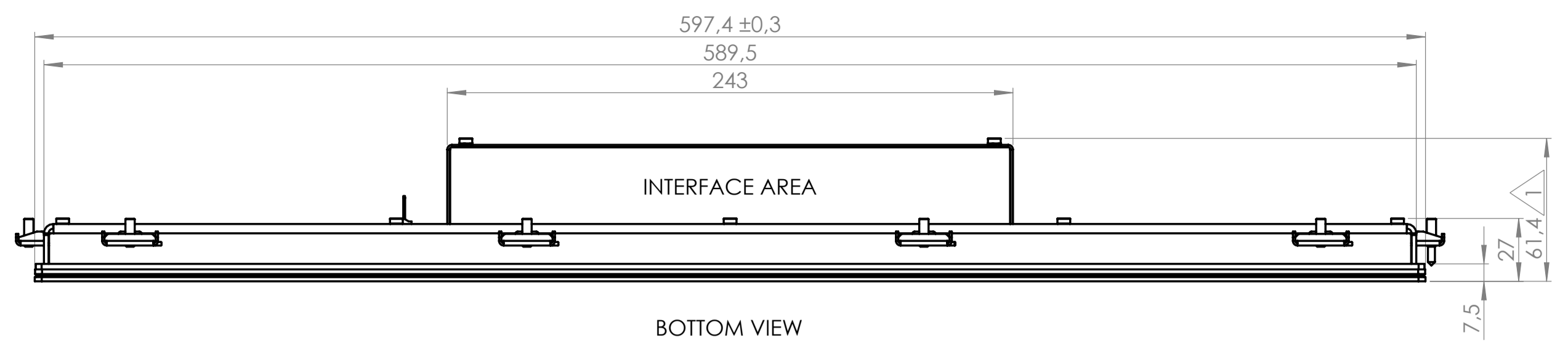
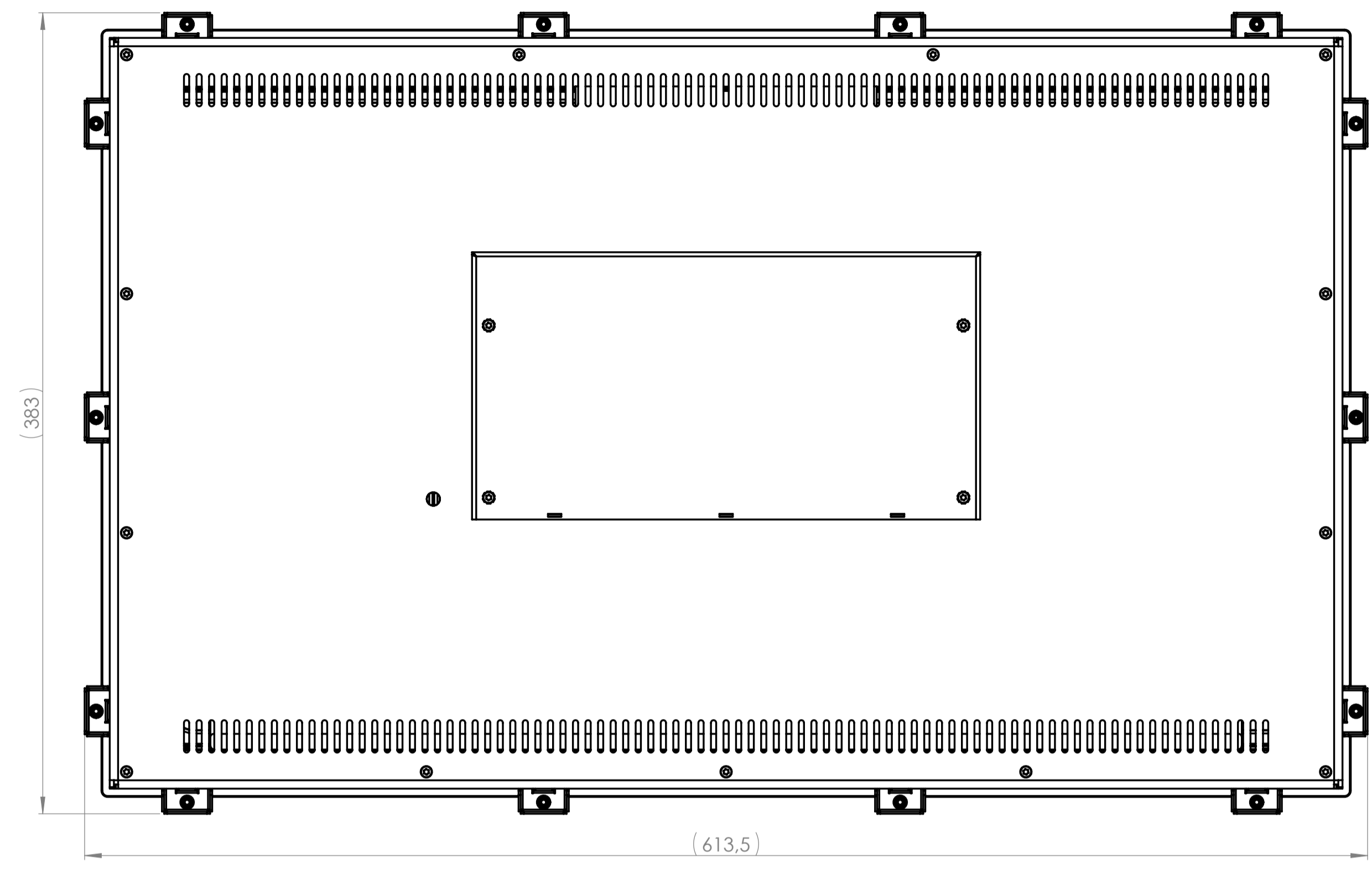


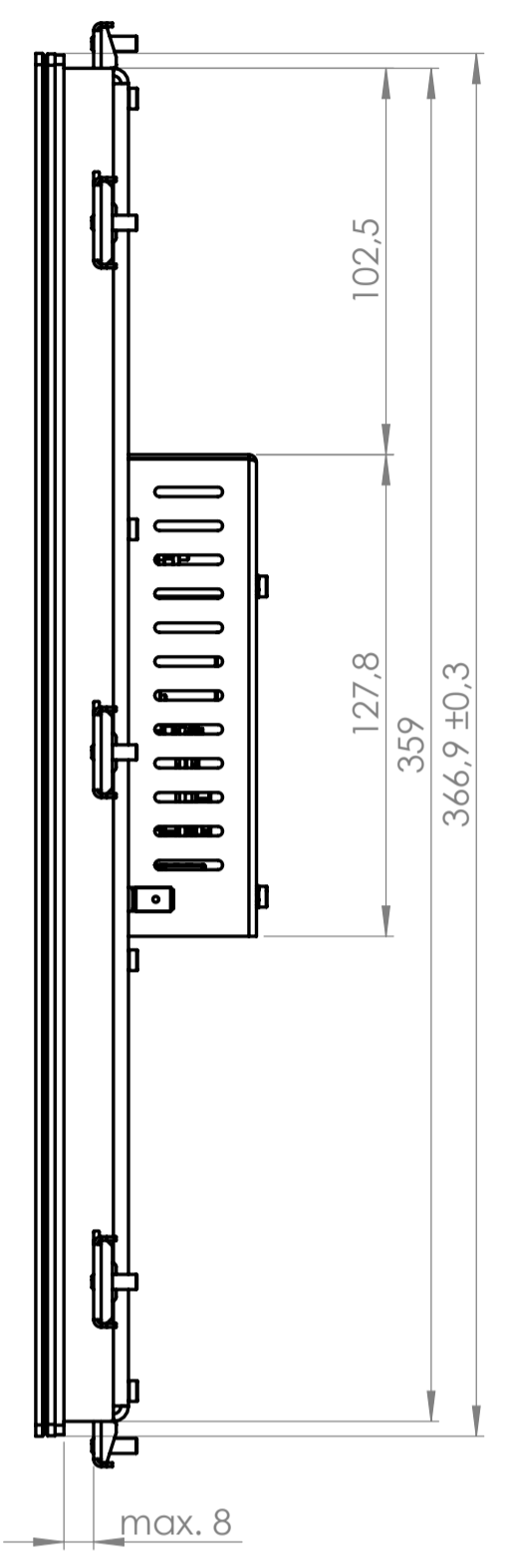
FRONT VIEW



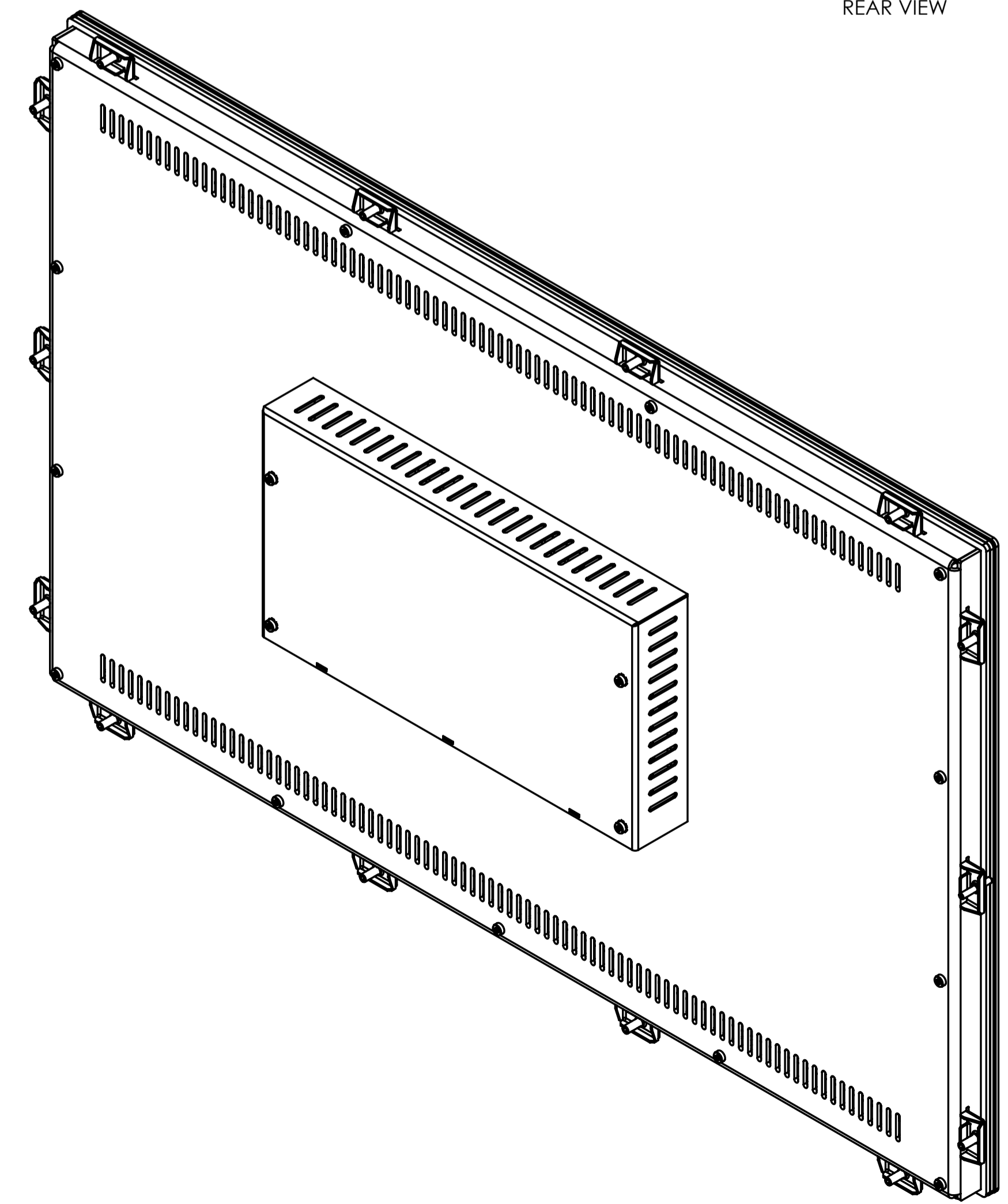
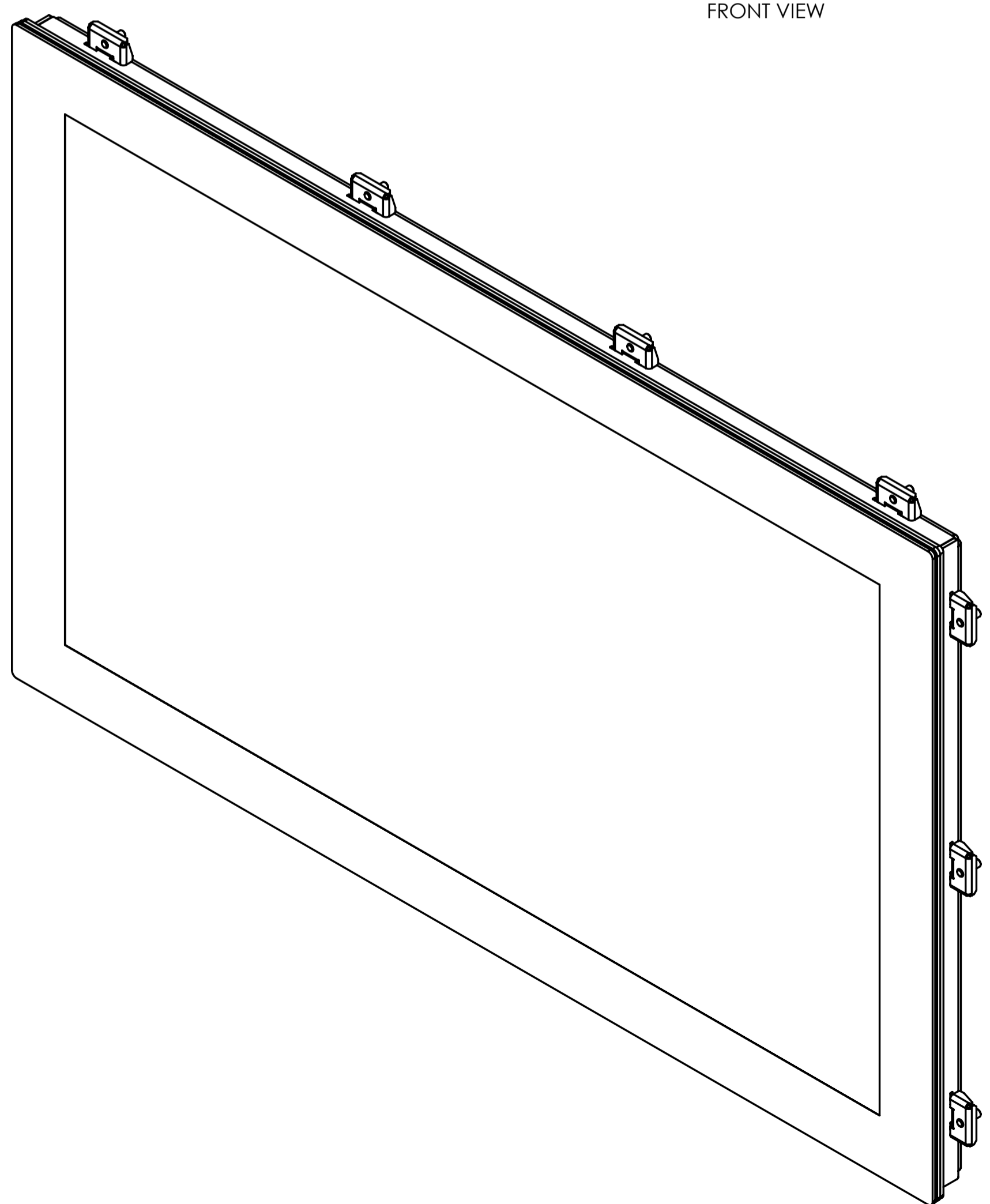
BOTTOM VIEW



REAR VIEW



SIDE VIEW

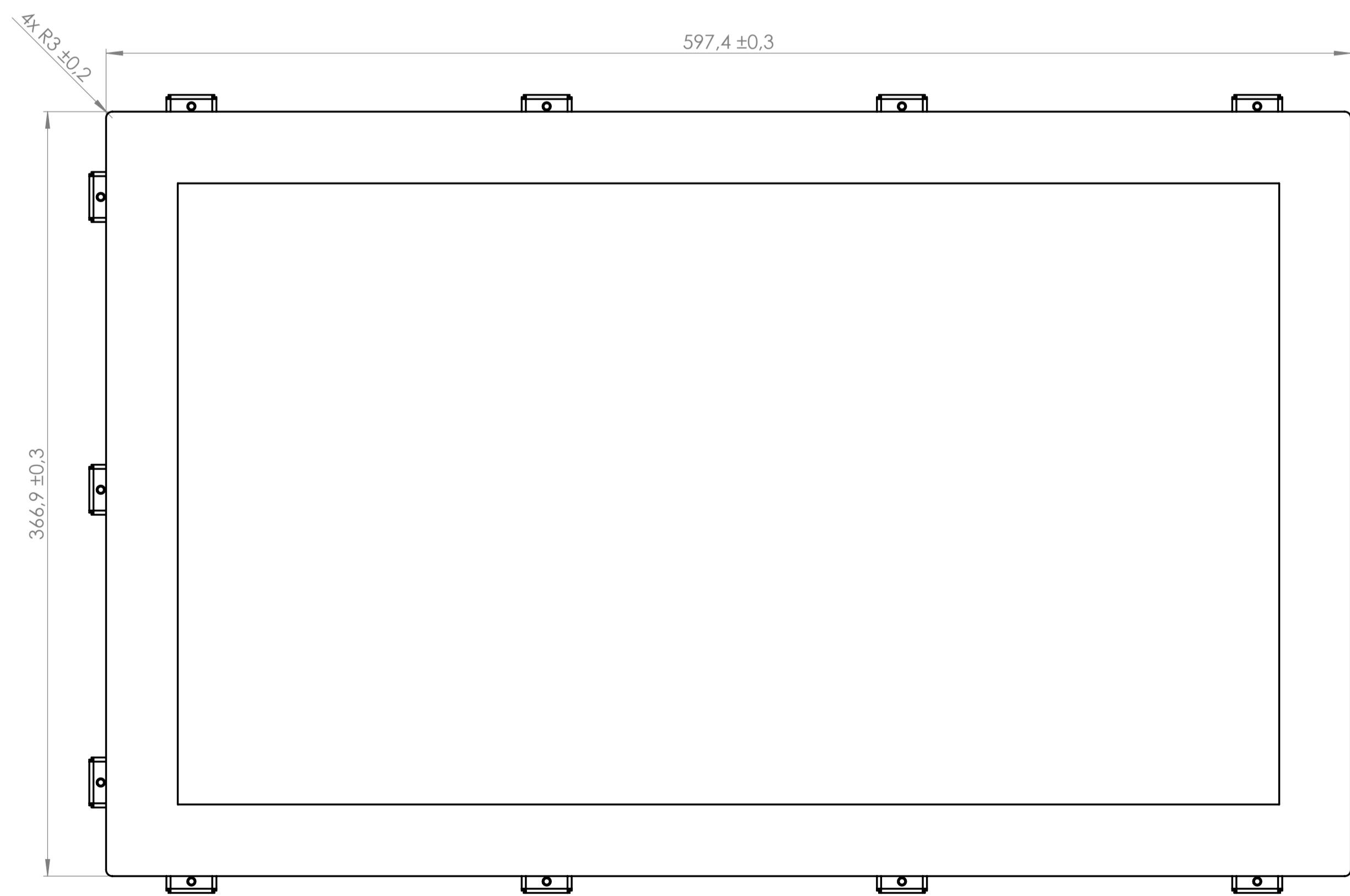
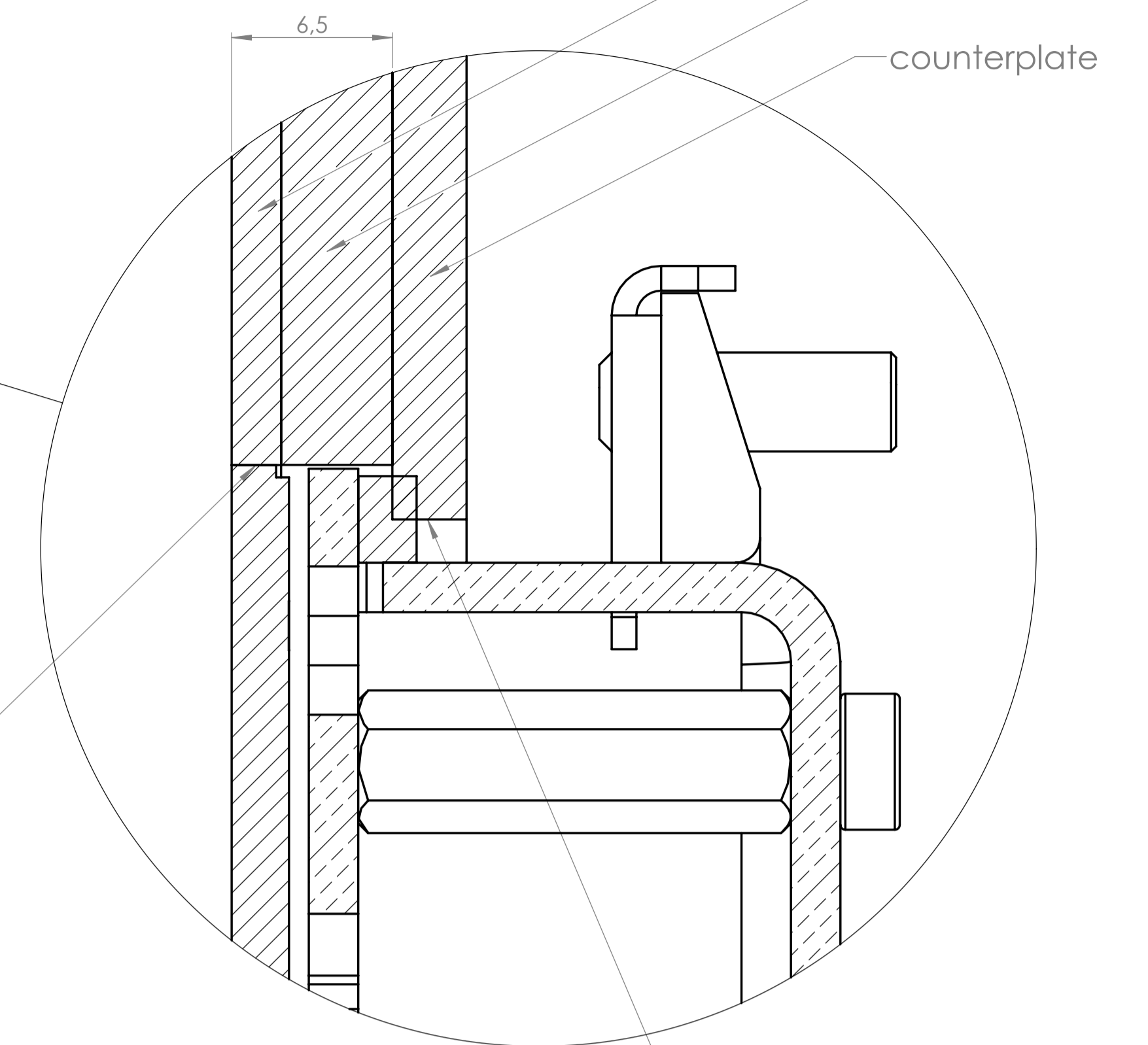
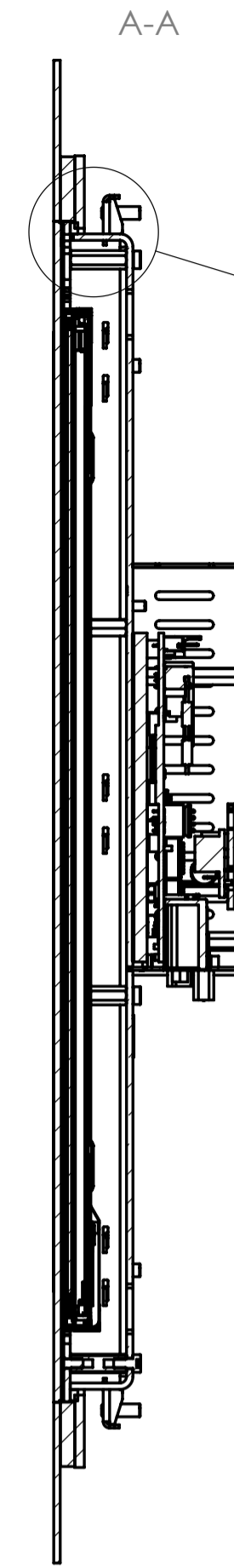
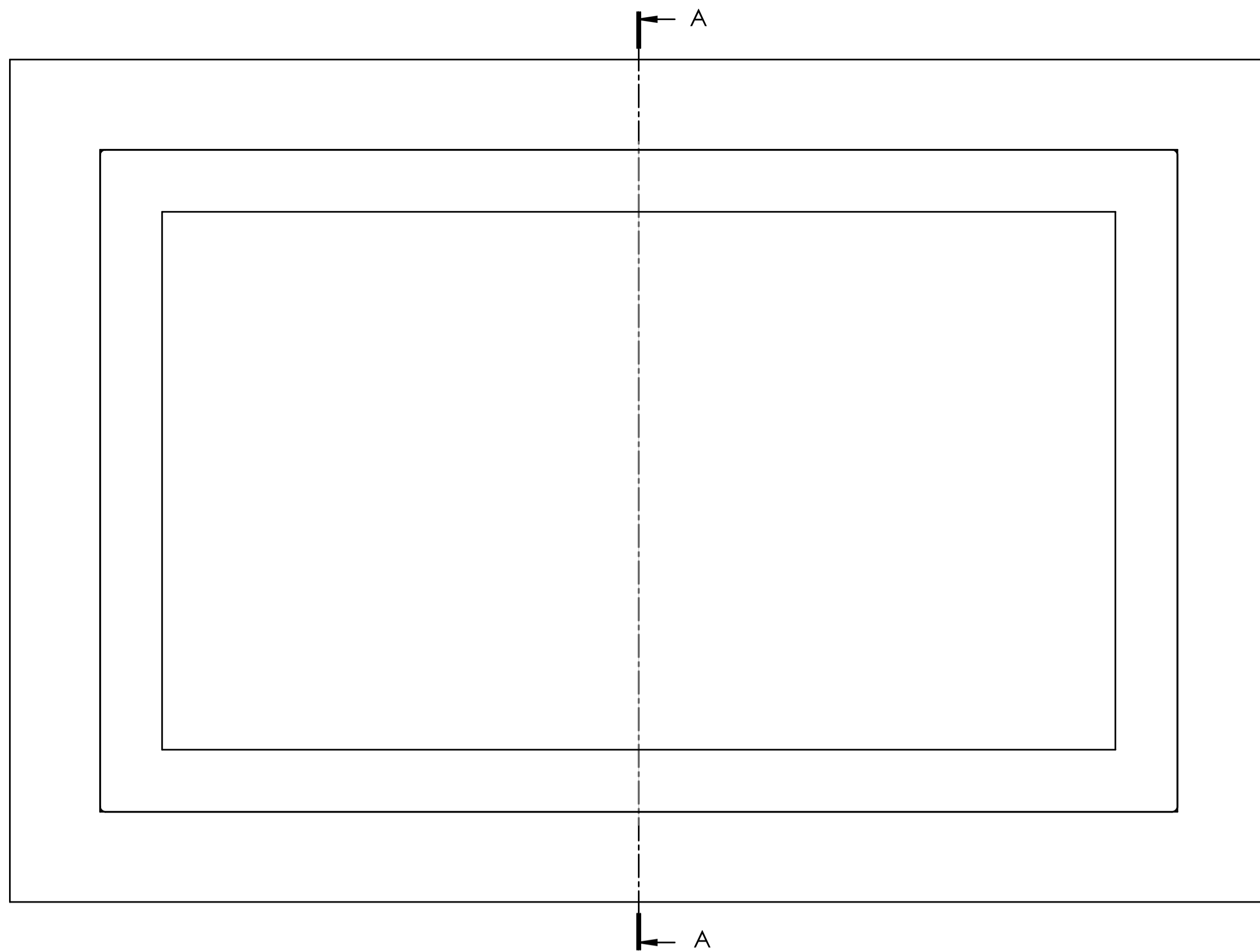


General tolerances DIN ISO 2768-mK	Drawn by: PL	Material: Raw material:	Scale: 1:2
Document type: general arrangement drawing	Proved by: PL	Surface treatment	
	Release date: 2020-07-06	Touch-it Open Frame glass 23.8 Übersichtszeichnung	Sheet: 1/2
Rev	Date	Name	A1



PA10006163

Proprietary notice ISO 16016 to be considered



cut-out - front- spacerplate*



cut-out - counterplate

* The actual cut-out-dimensions of the front- and spacerplate need to be subject to the prevalent assembly situation (production tolerances, ambient temperature, etc.) and therefore to be defined by the customer.

General tolerances DIN ISO 2768-mK	Drawn by: PL	Material: Raw material:	Scale: 1:2
Document type: general arrangement drawing	Proved by: PL	Surface treatment	
	Release date: 2020-07-06	Touch-it Open Frame glass 23.8 Übersichtszeichnung	
		Christ ELECTRONIC SYSTEMS	PA10006163
Rev	Date	Name	Sheet: 2/2 A1