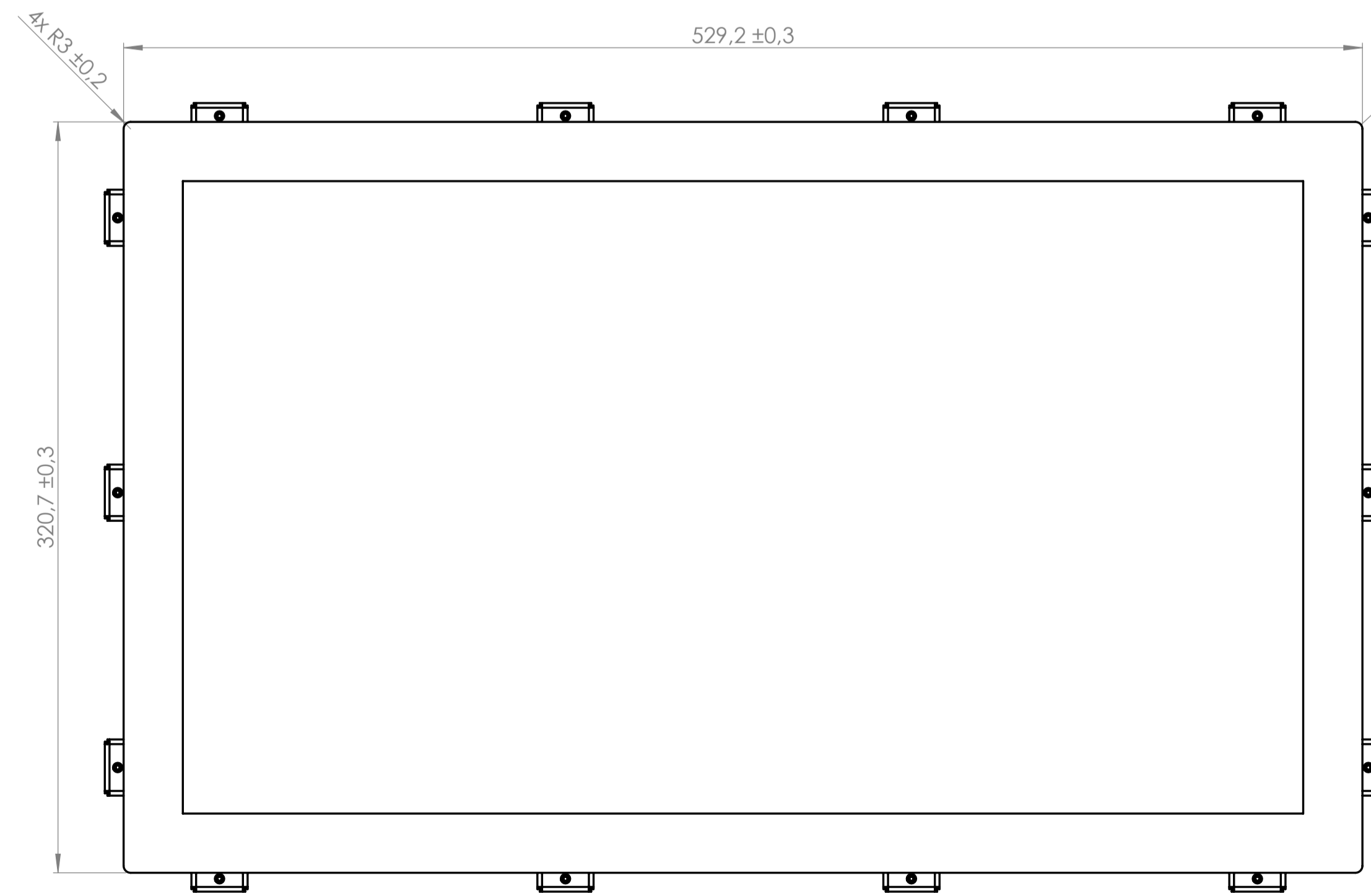
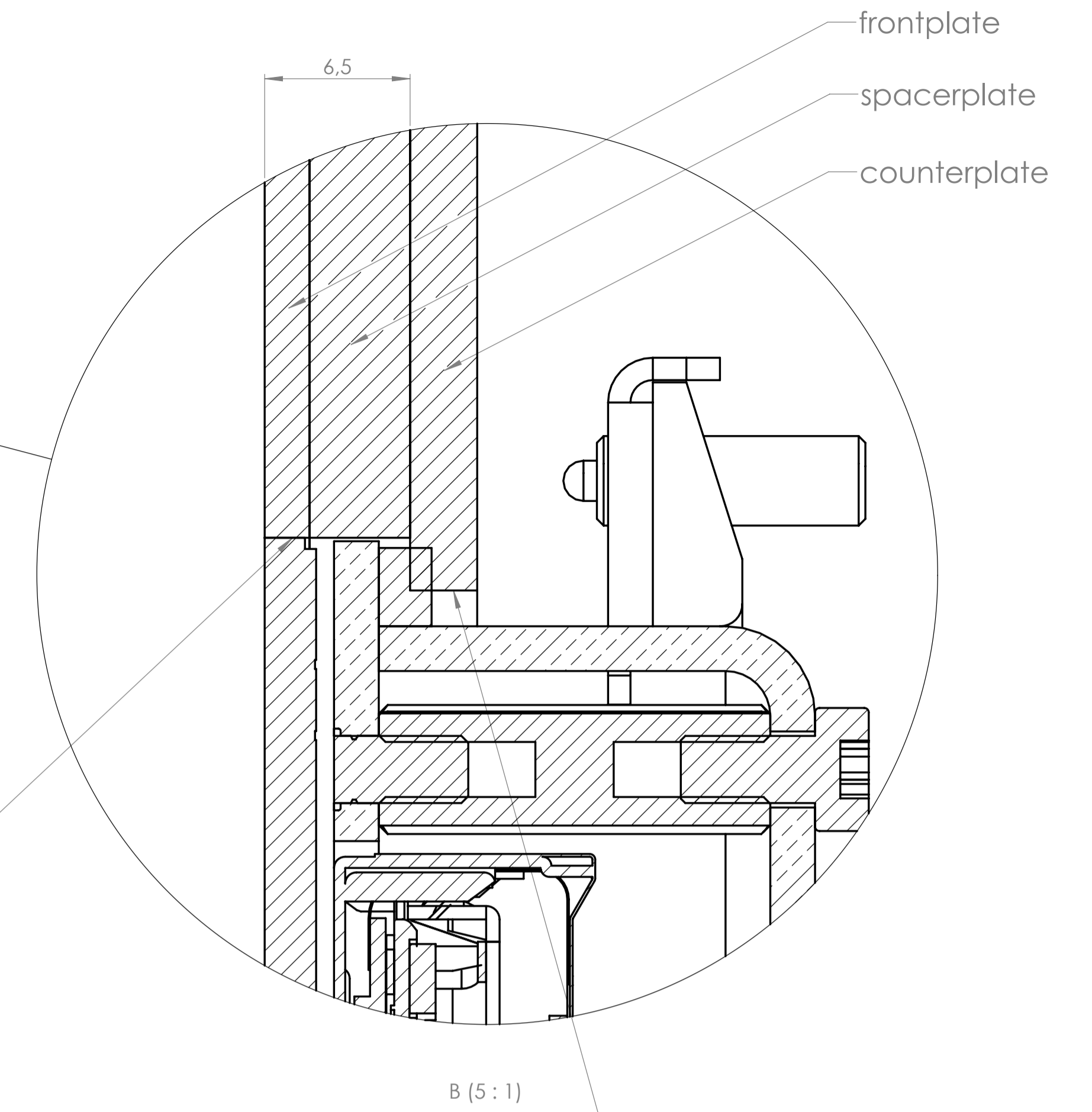
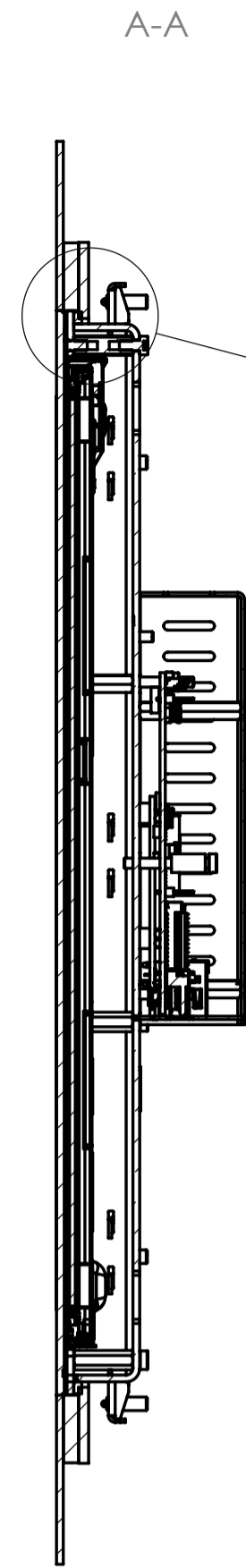
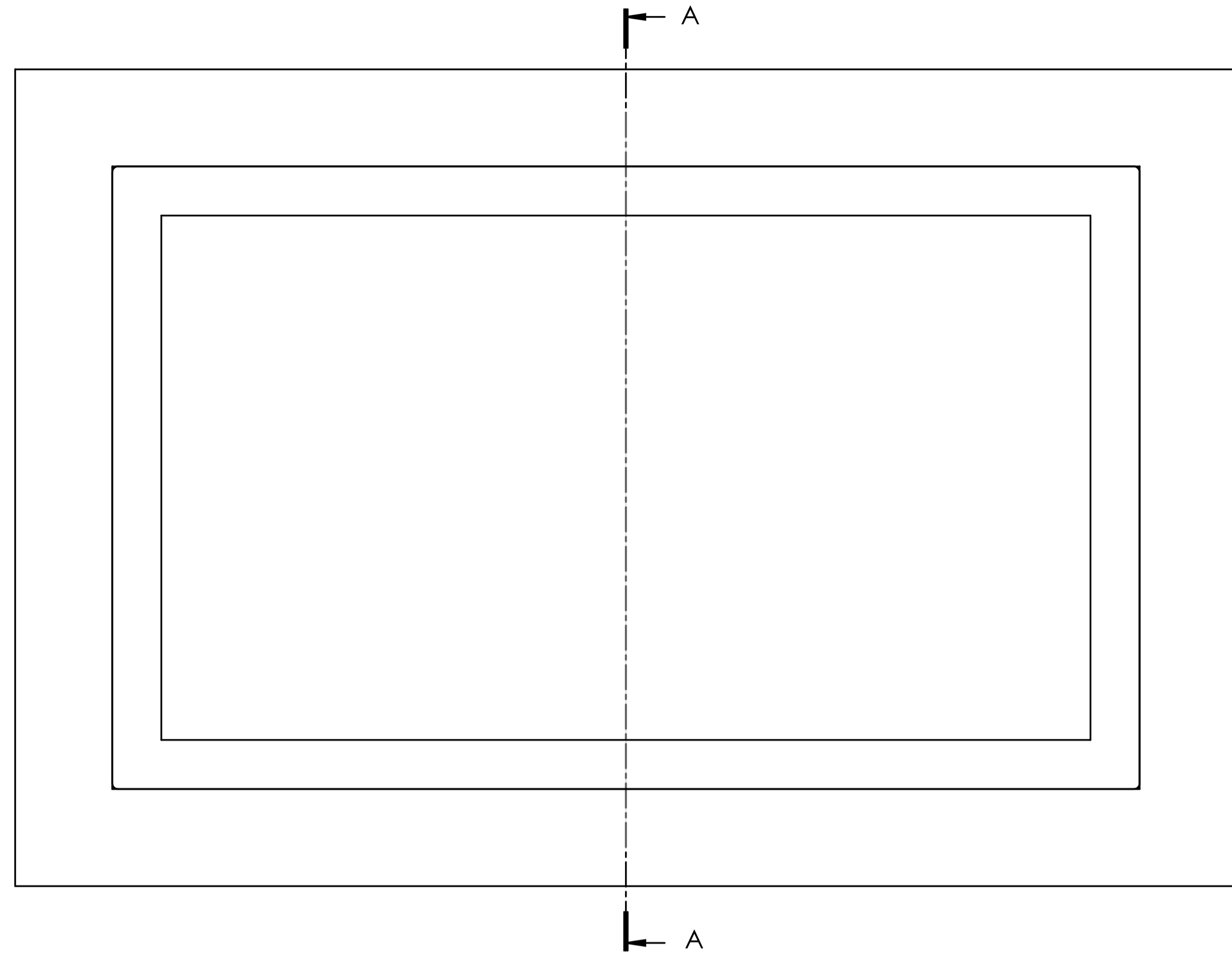
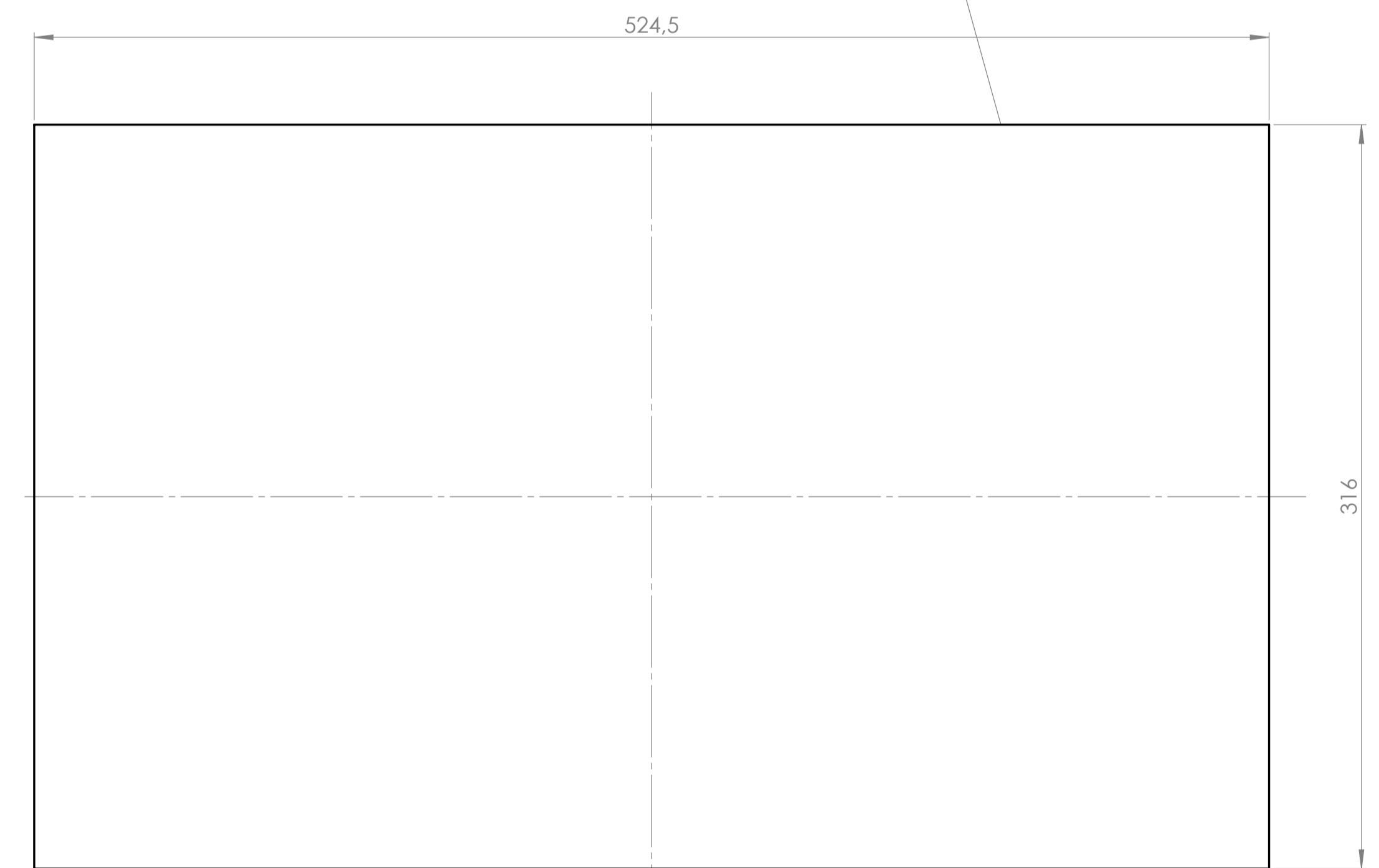


General tolerances DIN ISO 2768-mK	Drawn by: PL	Material: Raw material:	Scale: 1:2
Document type: general arrangement drawing	Provided by: PL	Surface treatment:	
	Release date: 2020-07-06	Touch-it Open Frame glass 21,5 Übersichtszeichnung	
Rev.	Date	Name	Page: 1/2 A1
		Christ ELECTRONIC SYSTEMS	PA10006162
<small>Proprietary notice ISO 16016 to be considered</small>			



cut-out - front- and spacerplate*

* The actual cut-out-dimensions of the front- and spacerplate need to be subject to the prevalent assembly situation (production tolerances, ambient temperature, etc.) and therefore to be defined by the customer.



cut-out - counterplate

General tolerances DIN ISO 2768-mK	Drawn by: PL	Material: Raw material:	Scale: 1:2
Document type: general arrangement drawing	Provided by: PL	Surface treatment:	
	Release date: 2020-07-06	Touch-it Open Frame glass 21,5 Übersichtszeichnung	
Rev.	Date	Name	Page: 2/2
			PA10006162 <small>Proprietary notice ISO 16016 to be considered</small>
			AT