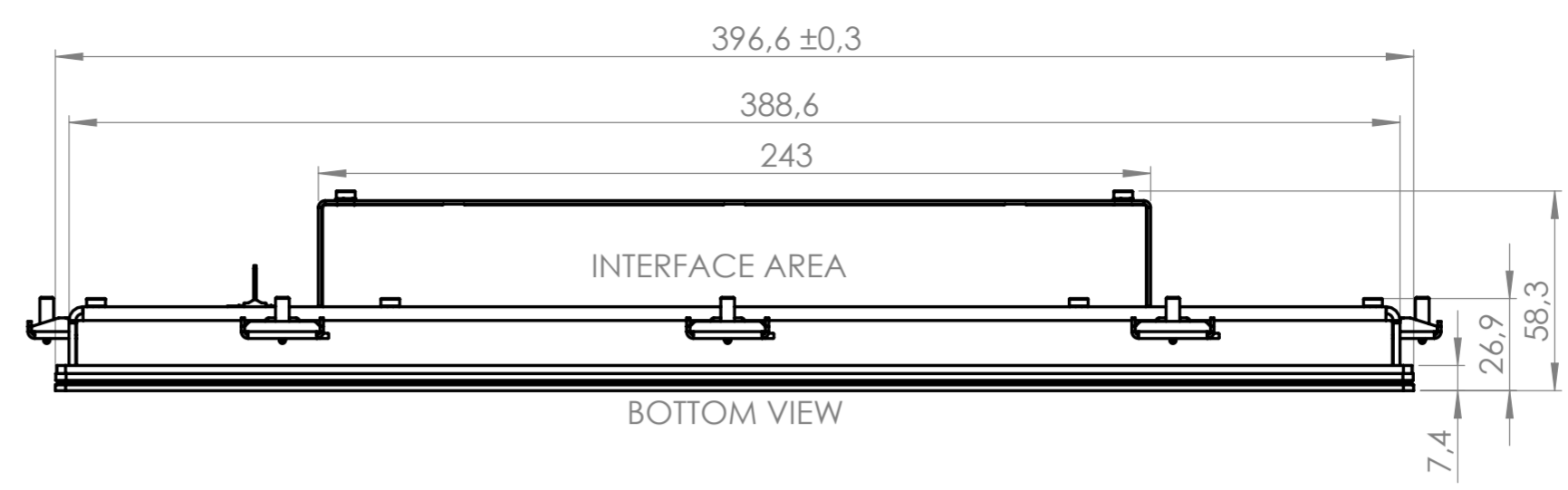
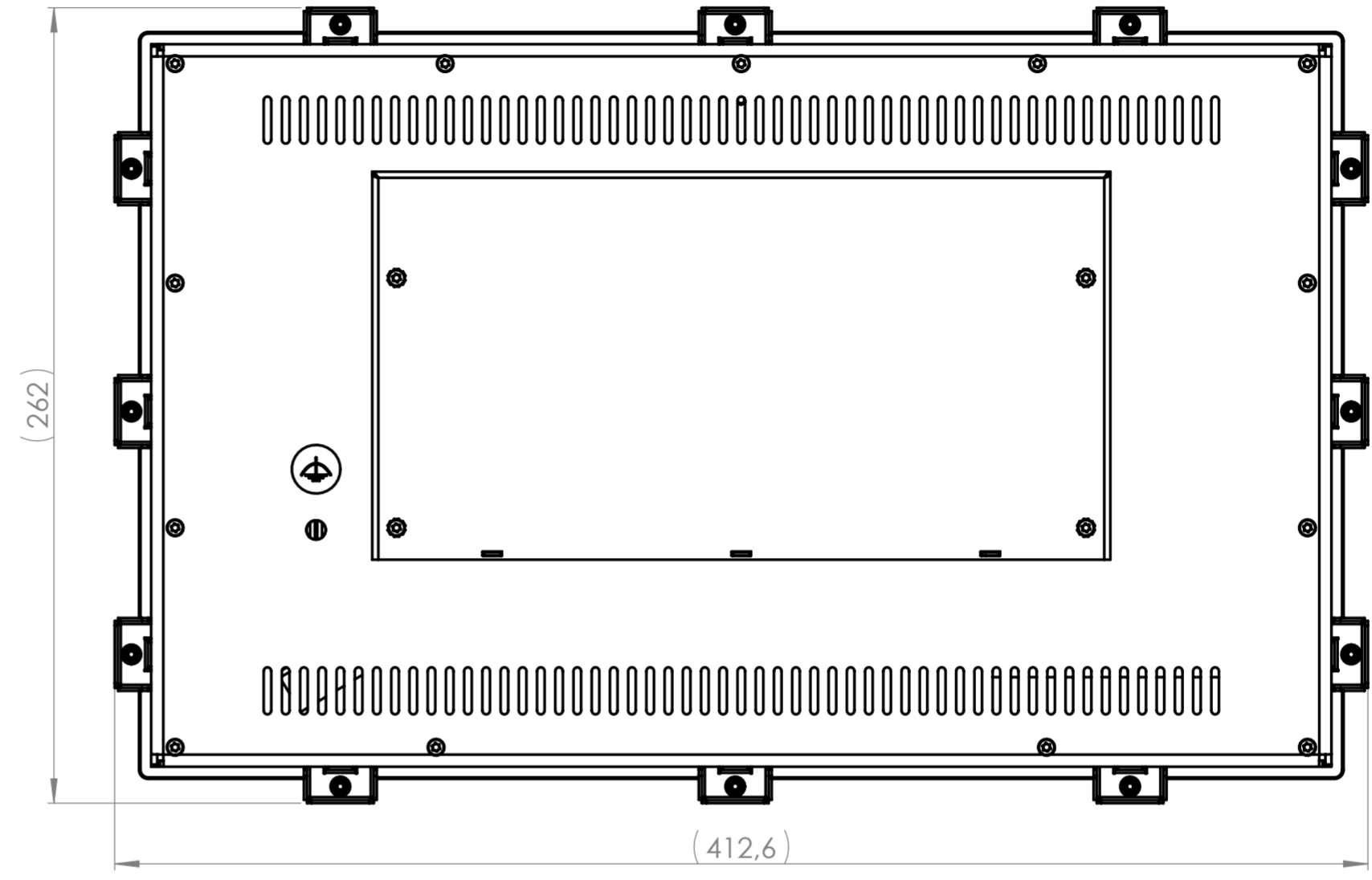


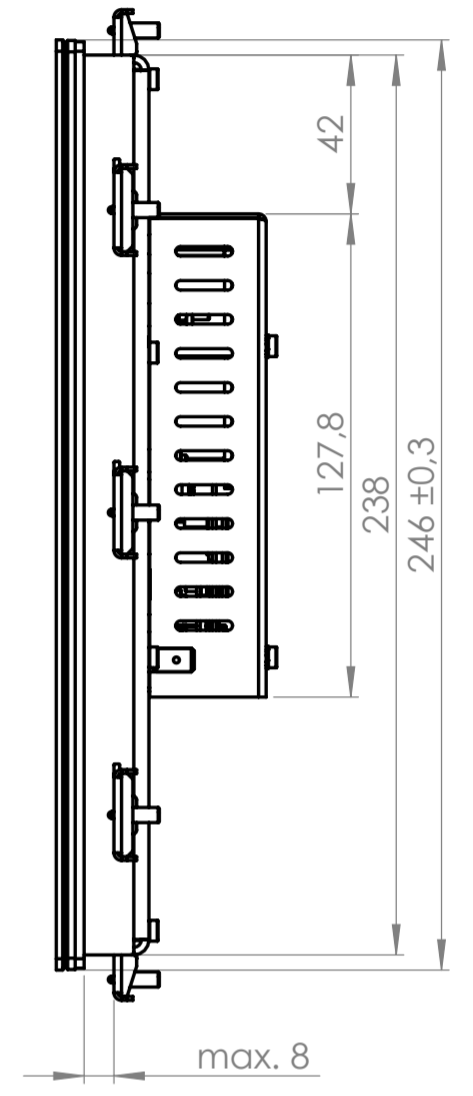
FRONT VIEW



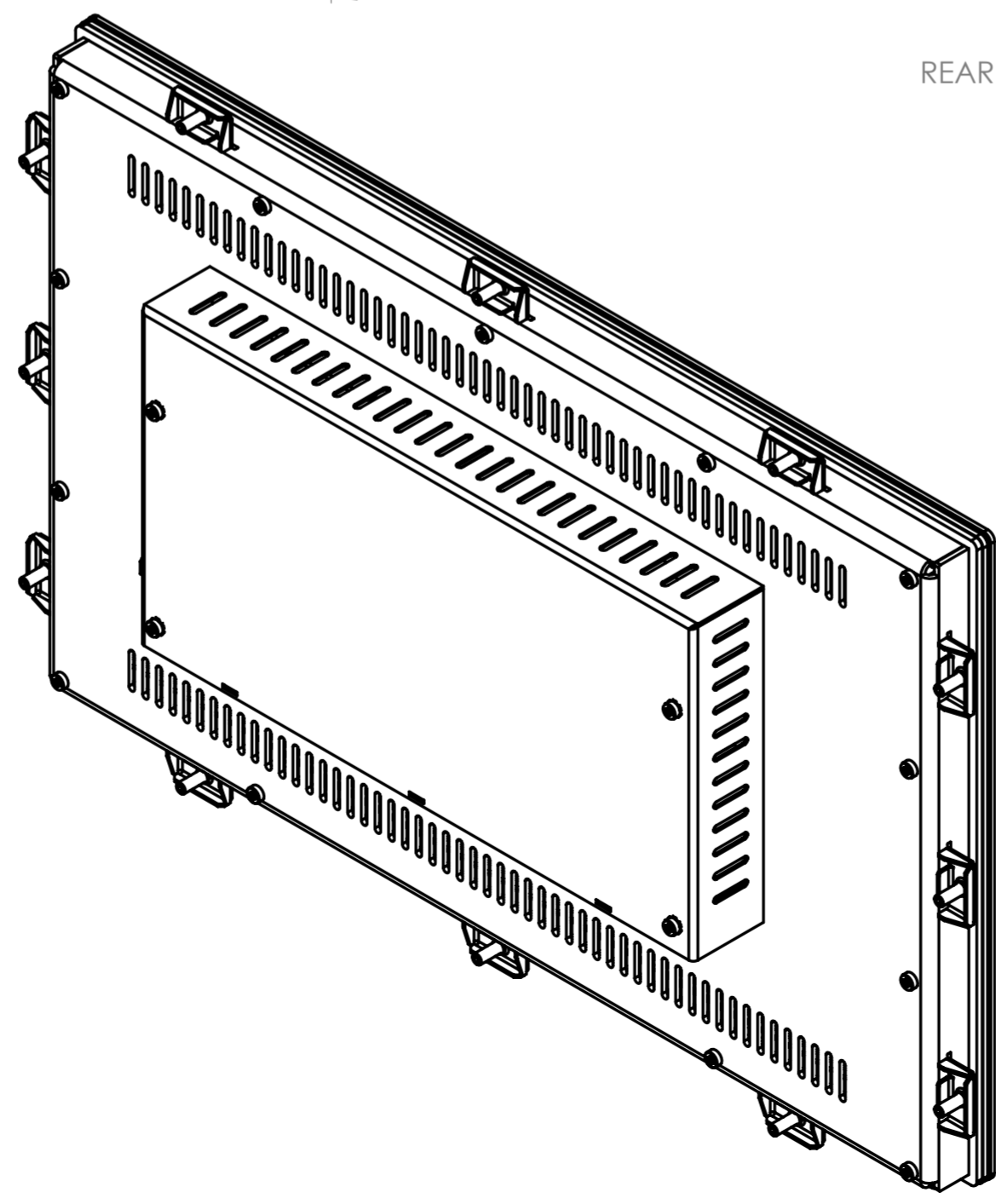
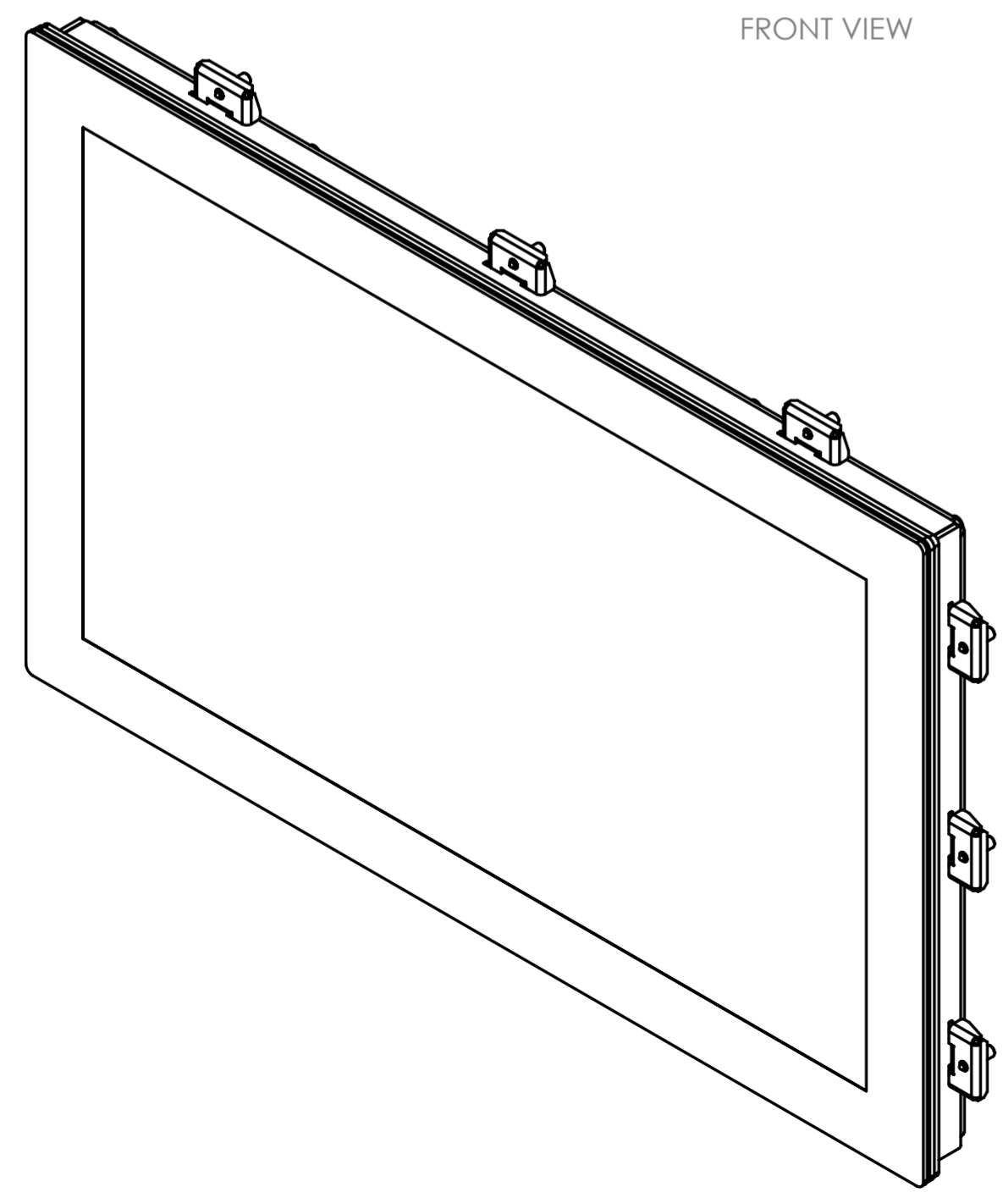
BOTTOM VIEW



REAR VIEW

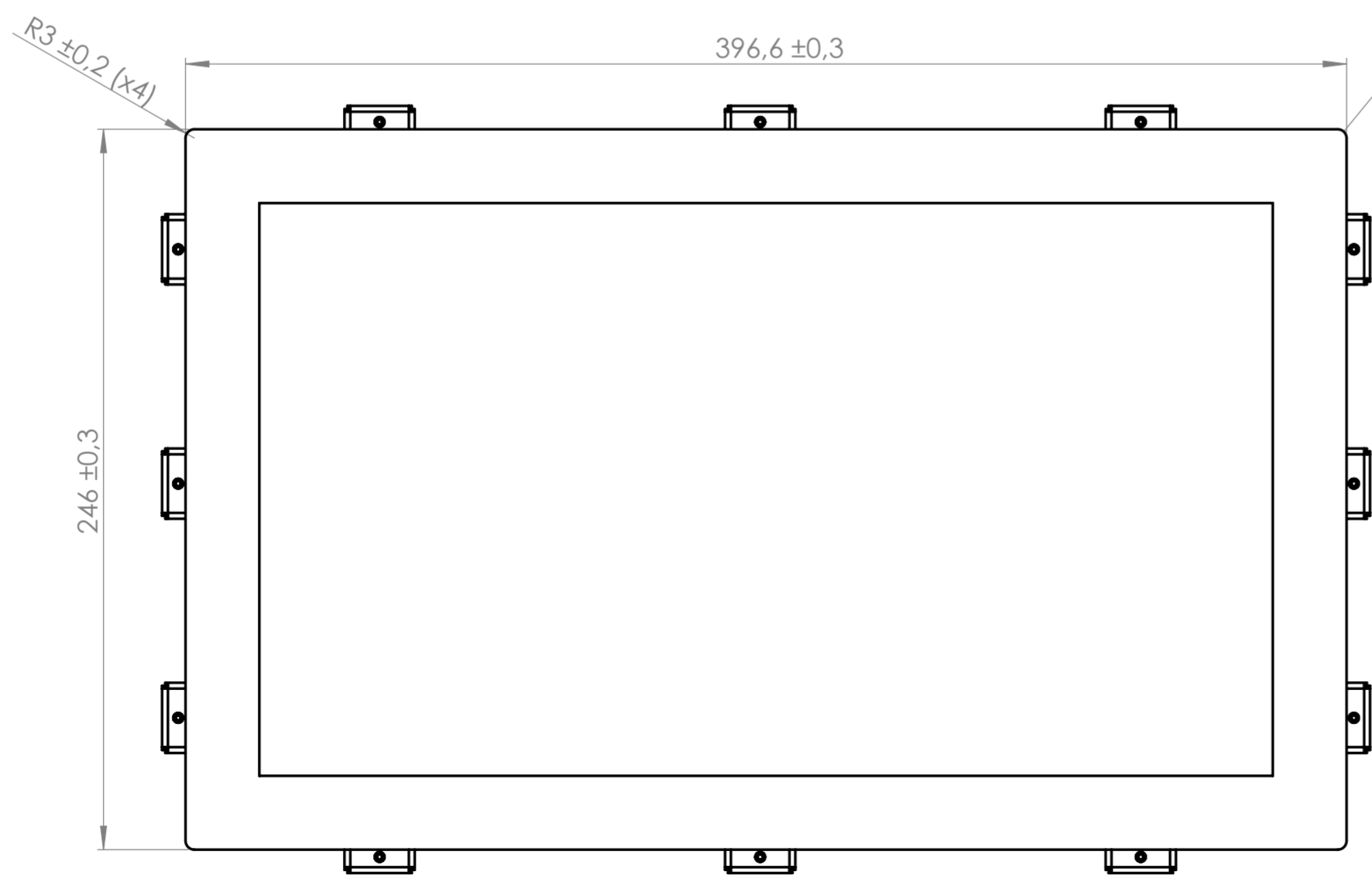
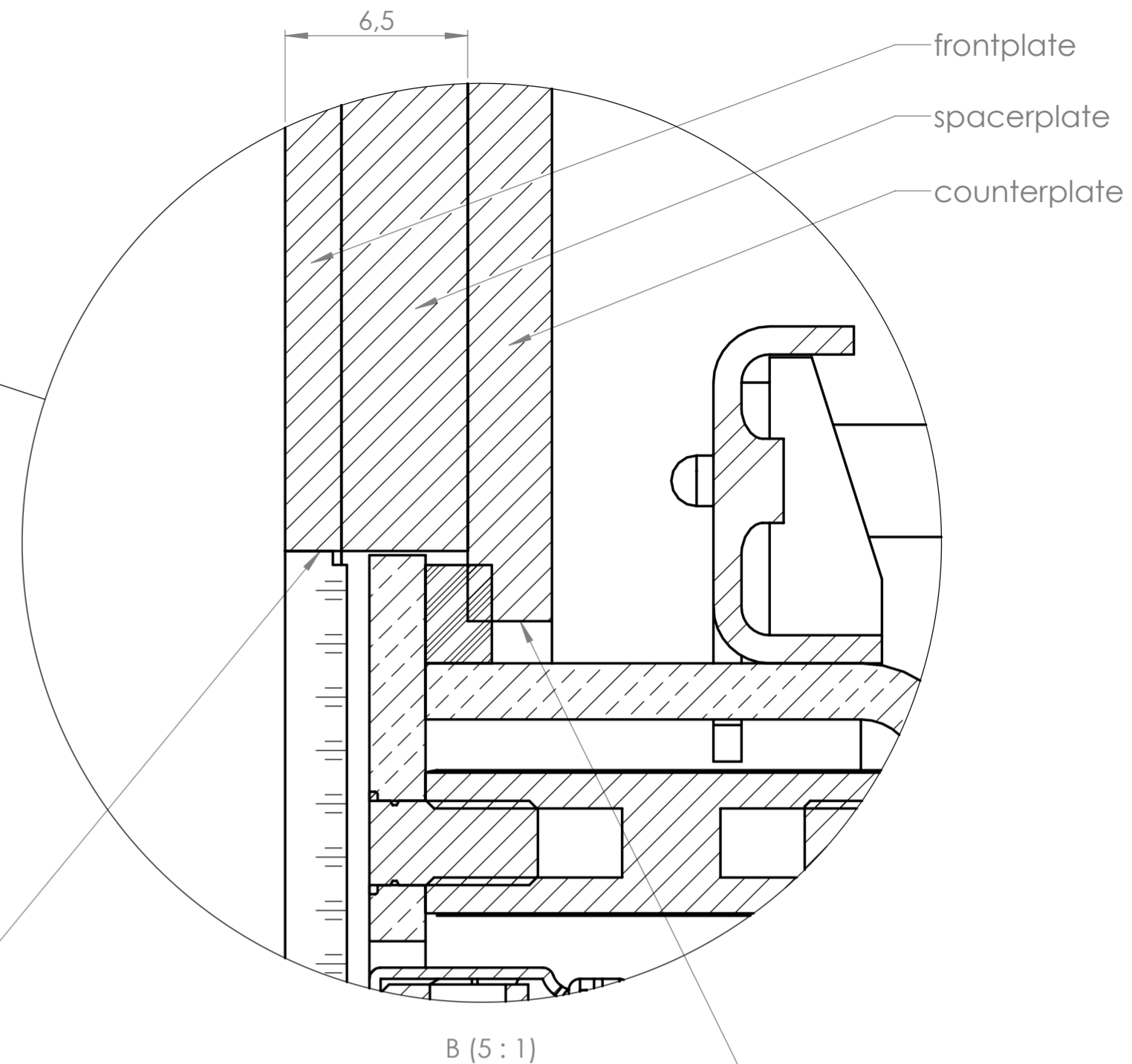
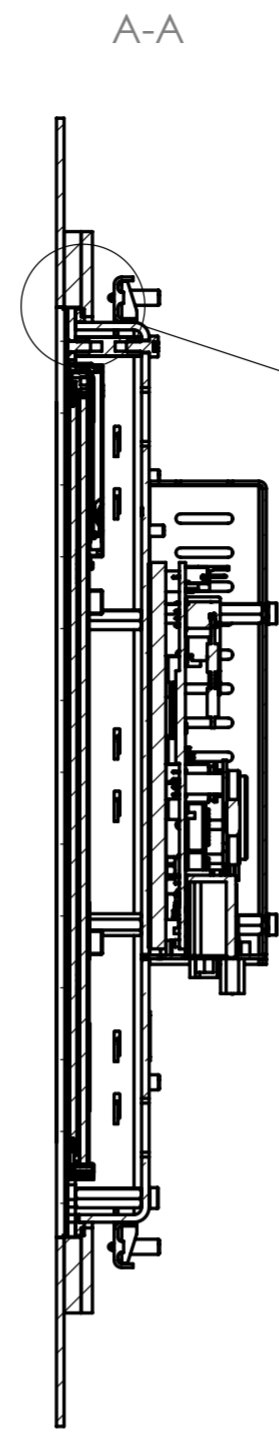
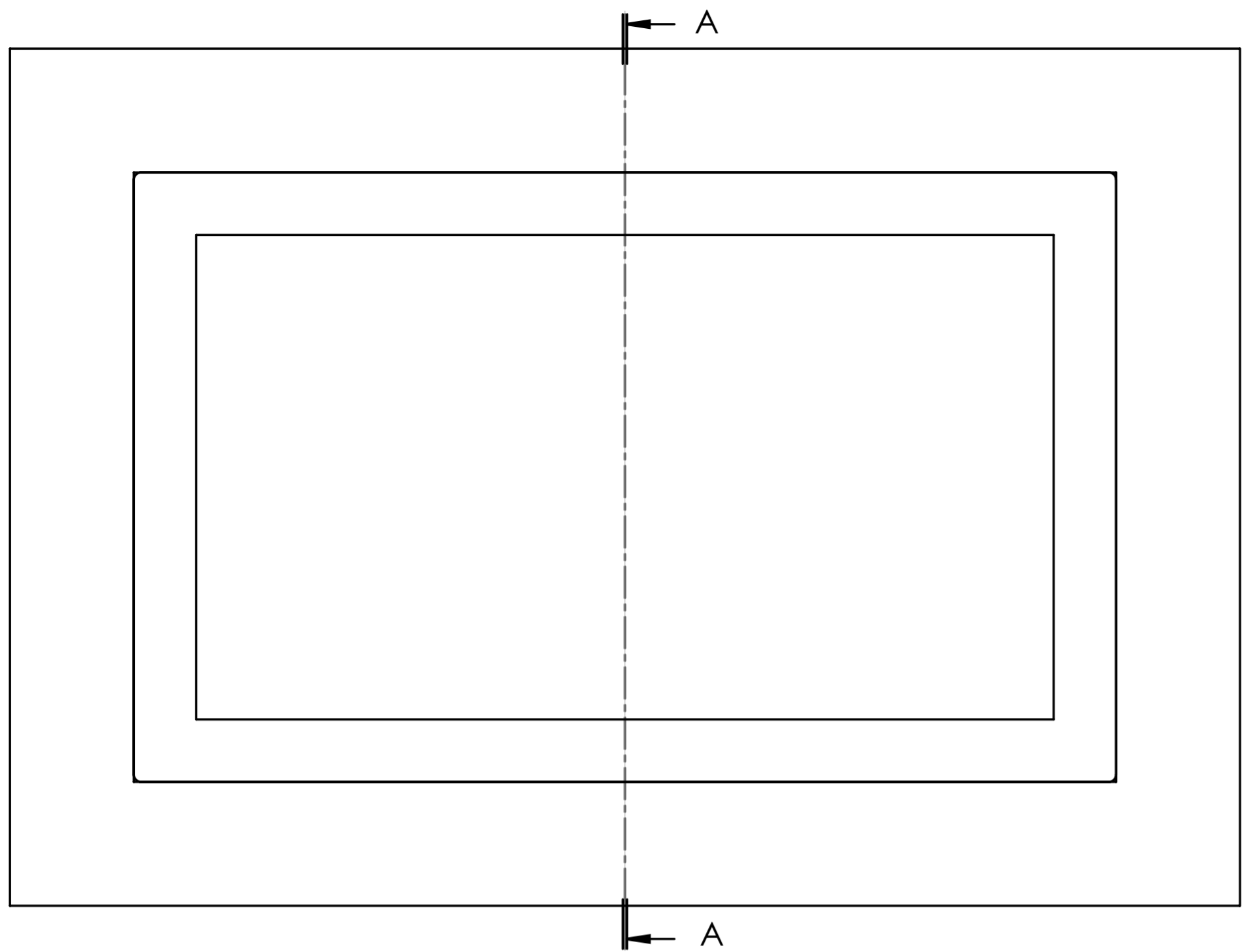


SIDE VIEW



Drawing for illustration of mechanical measurements only.
For more details see datasheet.

General tolerances DIN ISO 2768-mK		Drawn by: PL	Material: Raw material:
Document type: general arrangement drawing		Proved by: PL	Surface treatment:
		Release date: 2020-07-06	Scale: 1:2
			Touch-it Open Frame glass 15,6 Übersichtszeichnung
Rev.	Date		Name
			PA10006160
Proprietary notice ISO 16016 to be considered			
A2			




cut-out of front- and spacer-plate*



cut-out of counterplate

* The actual cut-out-dimensions of the front- and spacerplate need to be subject to the prevalent assembly situation (production tolerances, ambient temperature, etc.) and therefore to be defined by the customer.

General tolerances DIN ISO 2768-mK		Drawn by: PL	Material: Raw material:
Document type: general arrangement drawing		Proved by: PL	Surface treatment:
		Release date: 2020-07-06	Scale: 1:2
			Touch-it Open Frame glass 15,6 Übersichtszeichnung
Rev.	Date		Name
			PA10006160
Proprietary notice ISO 16016 to be considered			
			A2