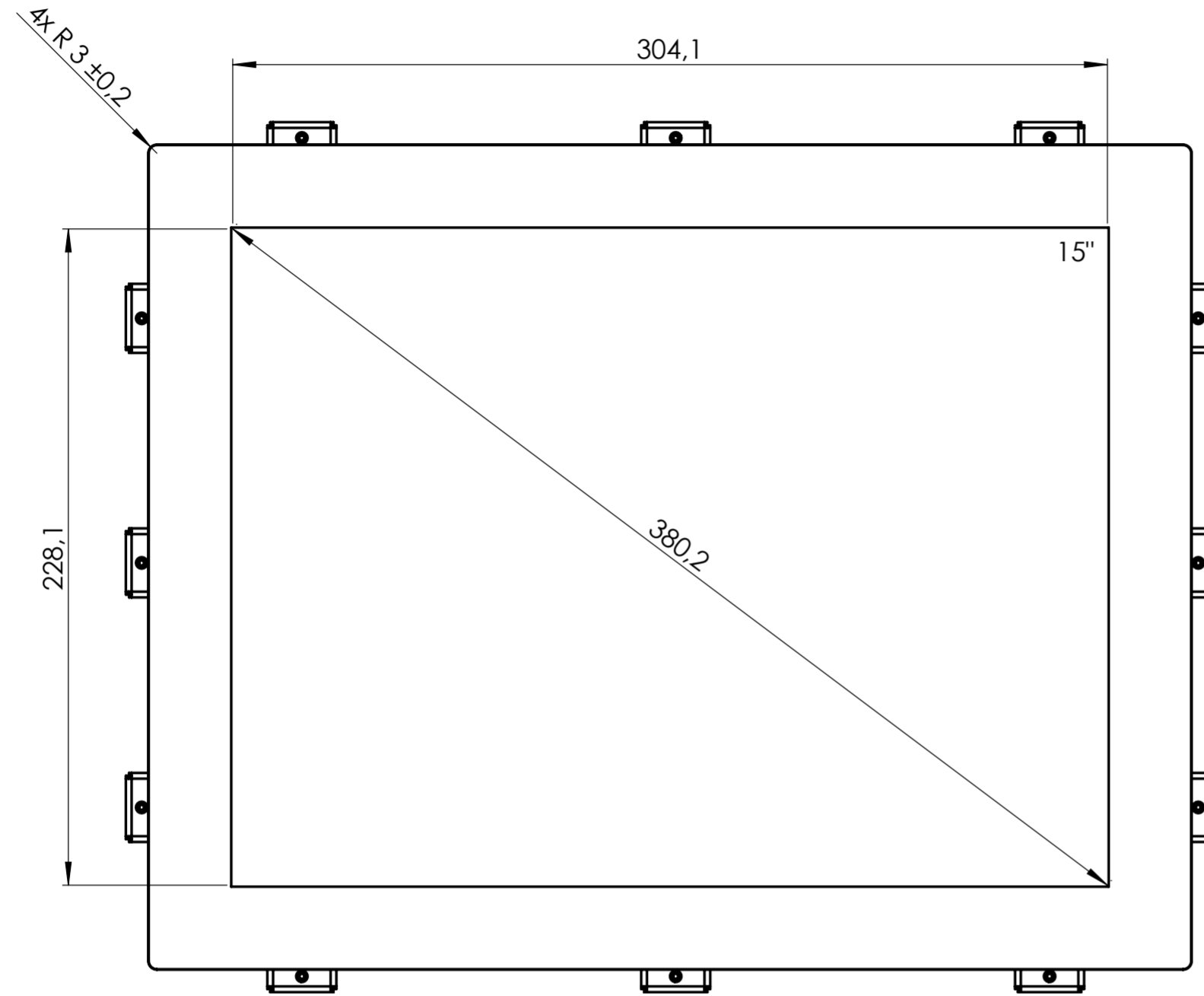
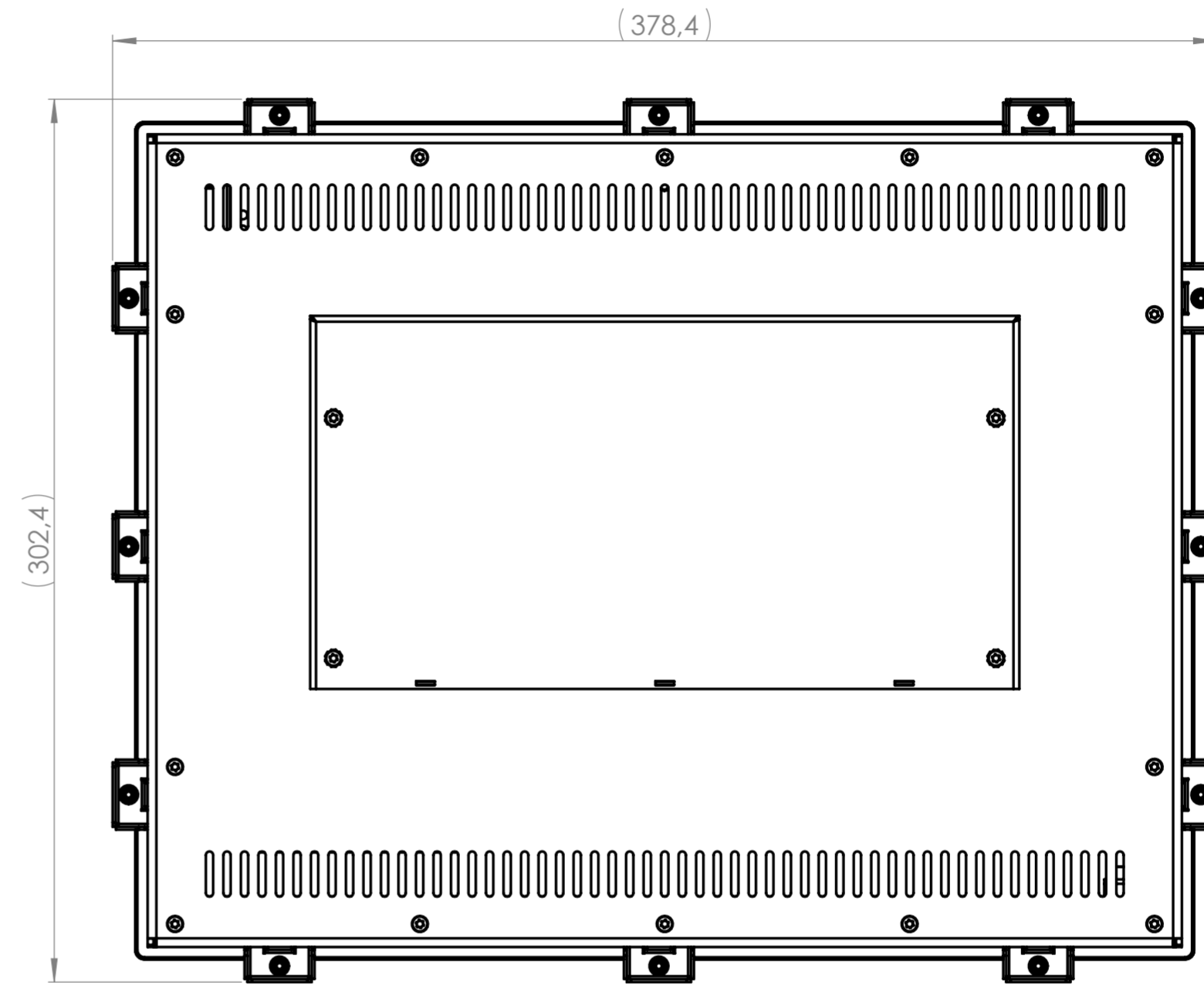


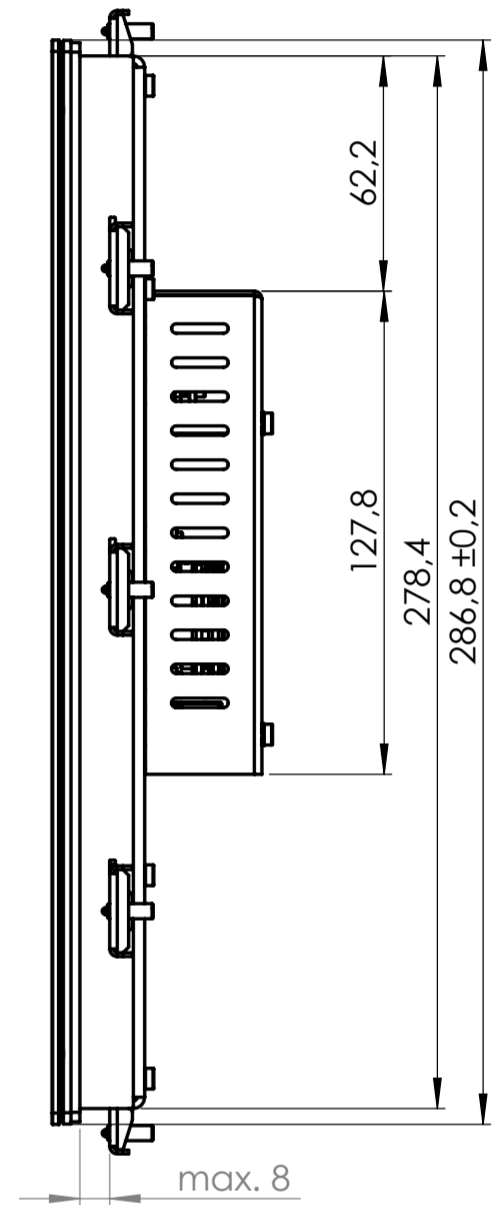
BOTTOM VIEW



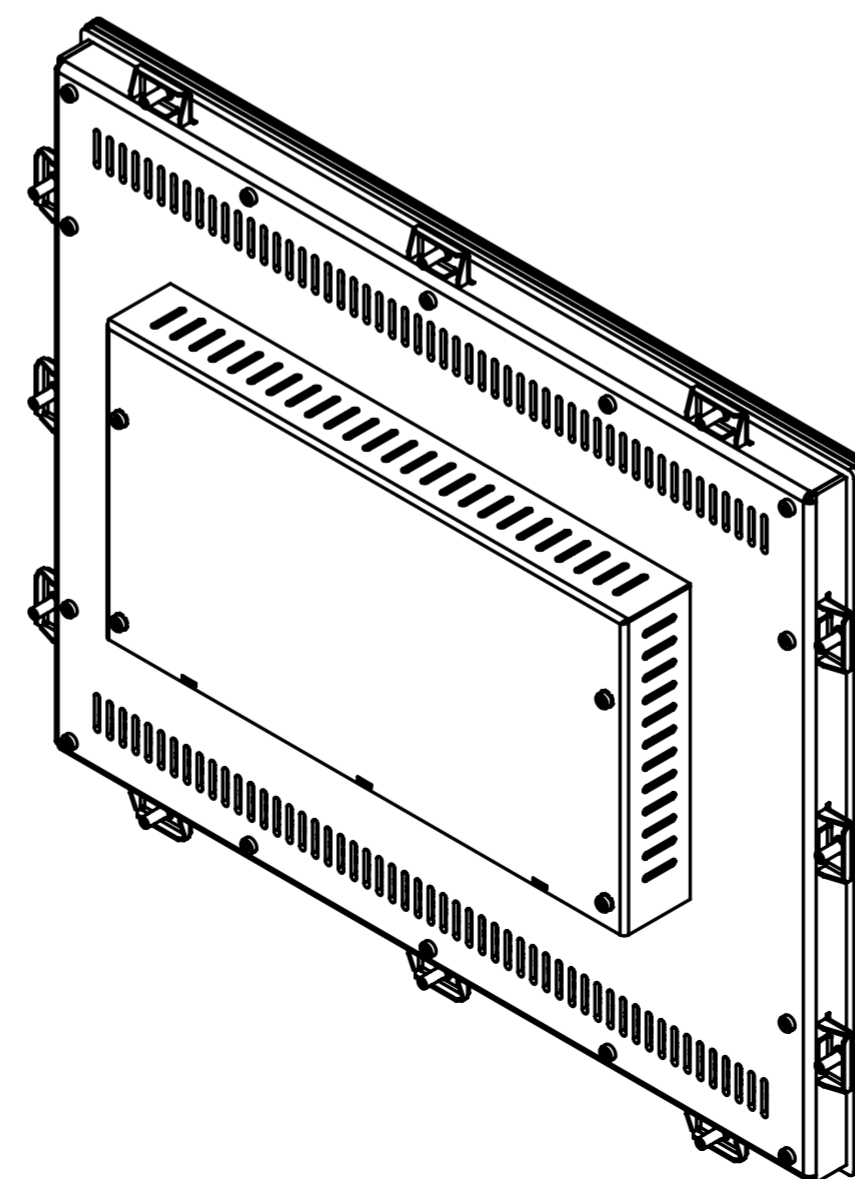
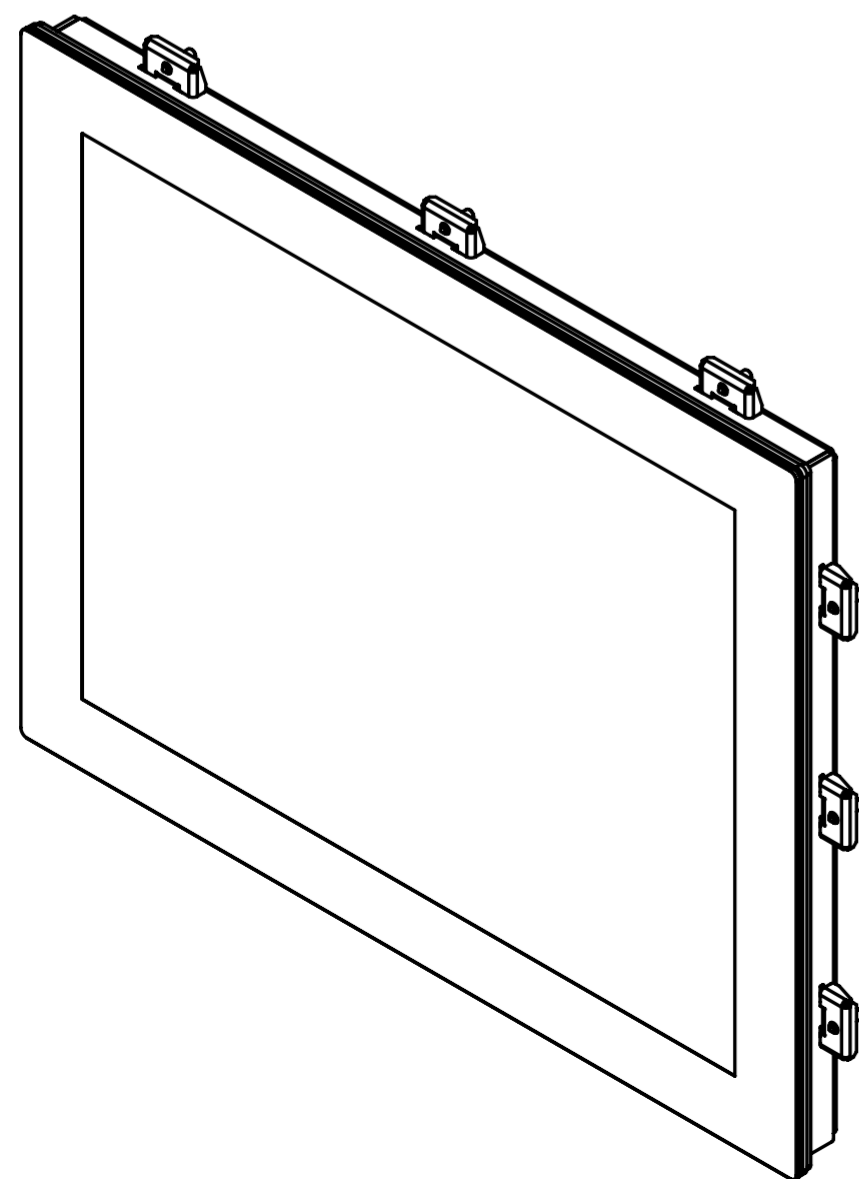
FRONT VIEW



REAR VIEW



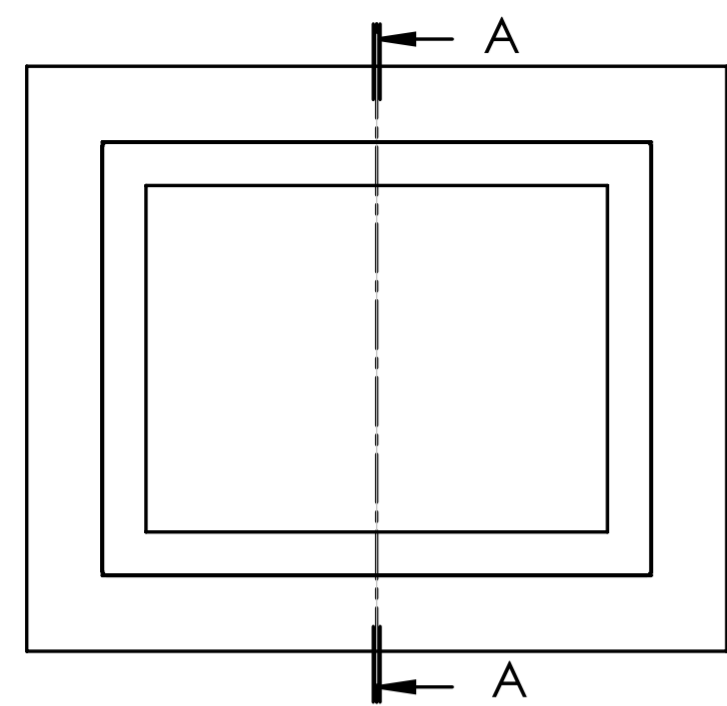
SIDE VIEW



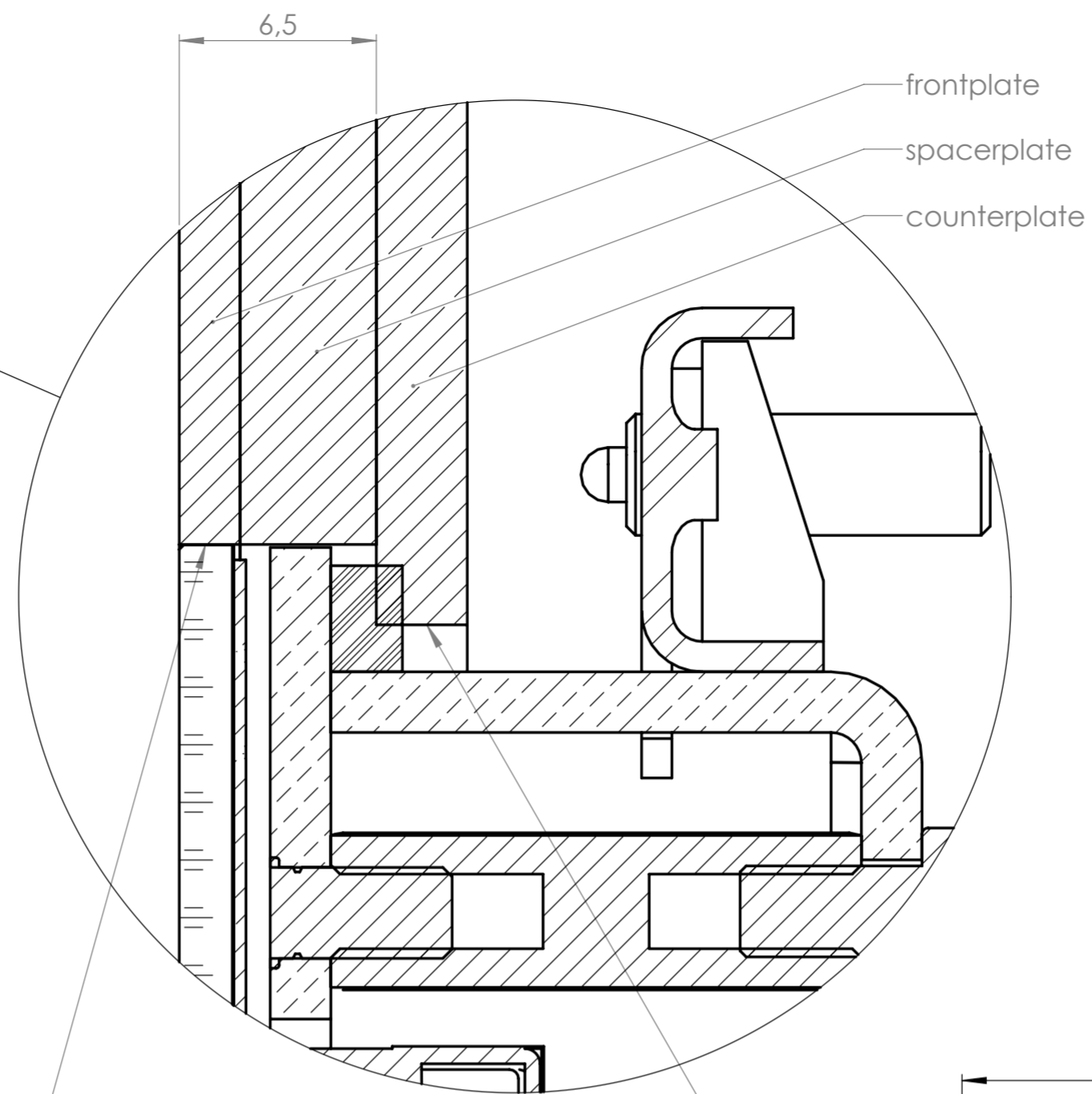
Drawing for illustration of mechanical measurements only.  
For more details see datasheet.

General tolerances DIN ISO 2768-mK	Drawn by: PL	Material: Raw material:	Scale: 1:2
Document type: general arrangement drawing	Proved by: PL	Surface treatment	
	Release date: 2020-07-06	Touch-it Open Frame glass 15 Übersichtszeichnung	
Rev	Date	Name	Sheet: 1/2 A2
			PA10006159
Proprietary notice ISO 16016 to be considered			



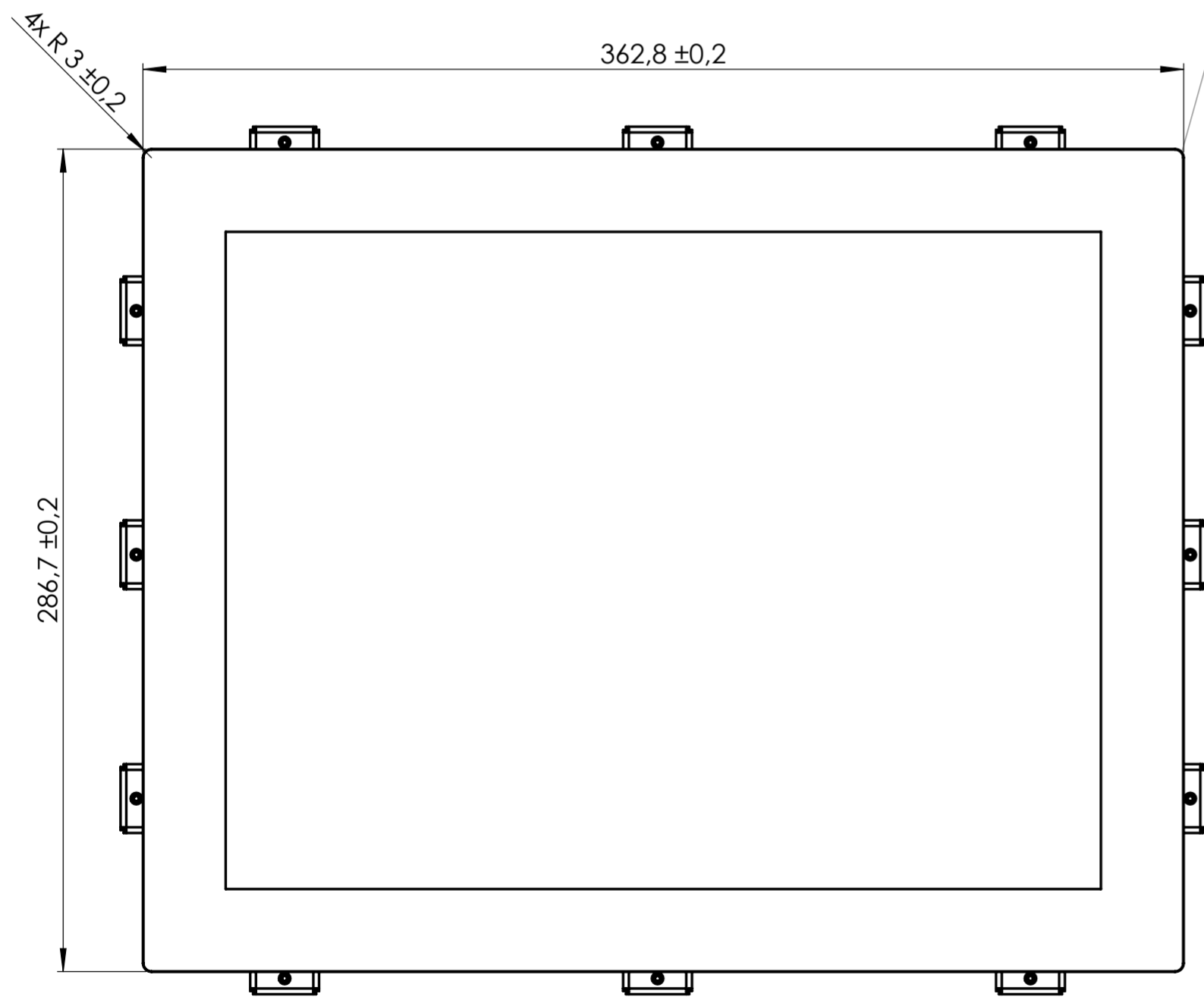


A-A (1 : 5)



frontplate  
spacerplate  
counterplate

B (5 : 1)



cut-out - front- spacerplate\*



cut-out - counterplate

General tolerances DIN ISO 2768-mK	Drawn by: PL	Material: Raw material:	Scale: 1:2
Document type: general arrangement drawing	Proved by: PL	Surface treatment	
	Release date: 2020-07-06	Touch-it Open Frame glass 15 Übersichtszeichnung	
		PA10006159	
Rev	Date	Name	Sheet: 2/2 A2

\* The actual cut-out-dimensions of the front- and spacerplate need to be subject to the prevalent assembly situation (production tolerances, ambient temperature, etc.) and therefore to be defined by the customer.

