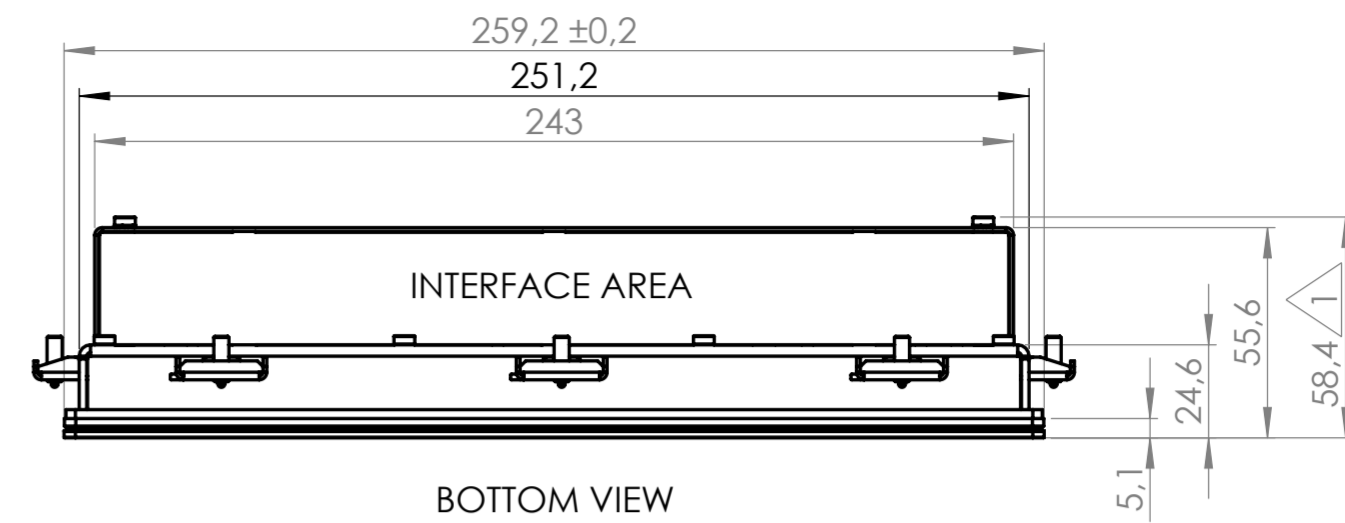
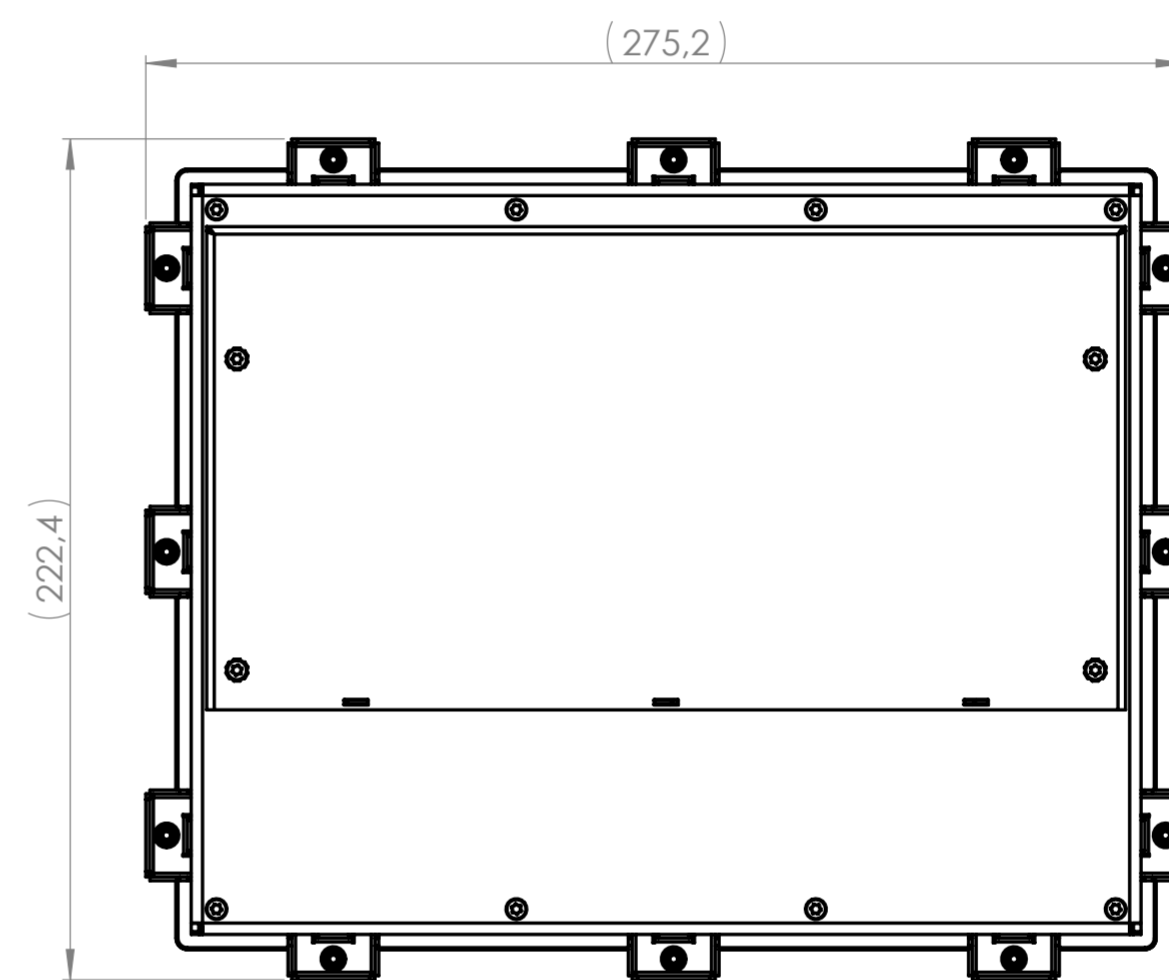


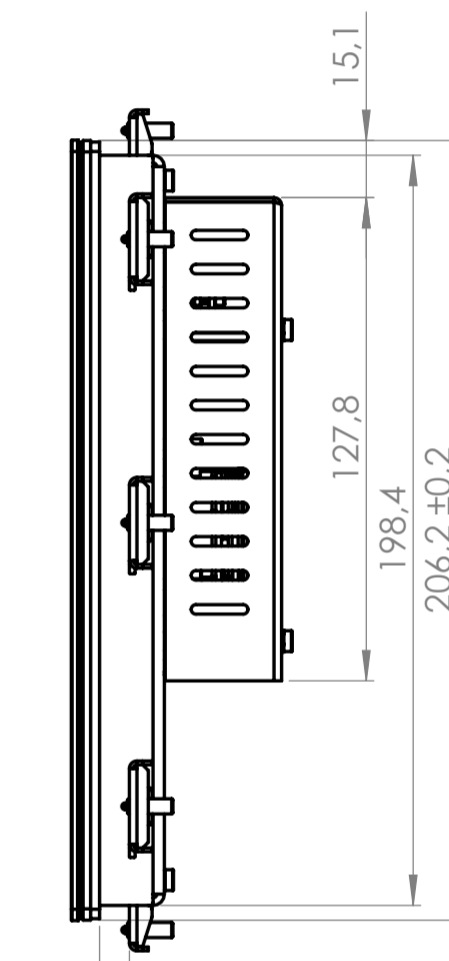
FRONT VIEW



BOTTOM VIEW



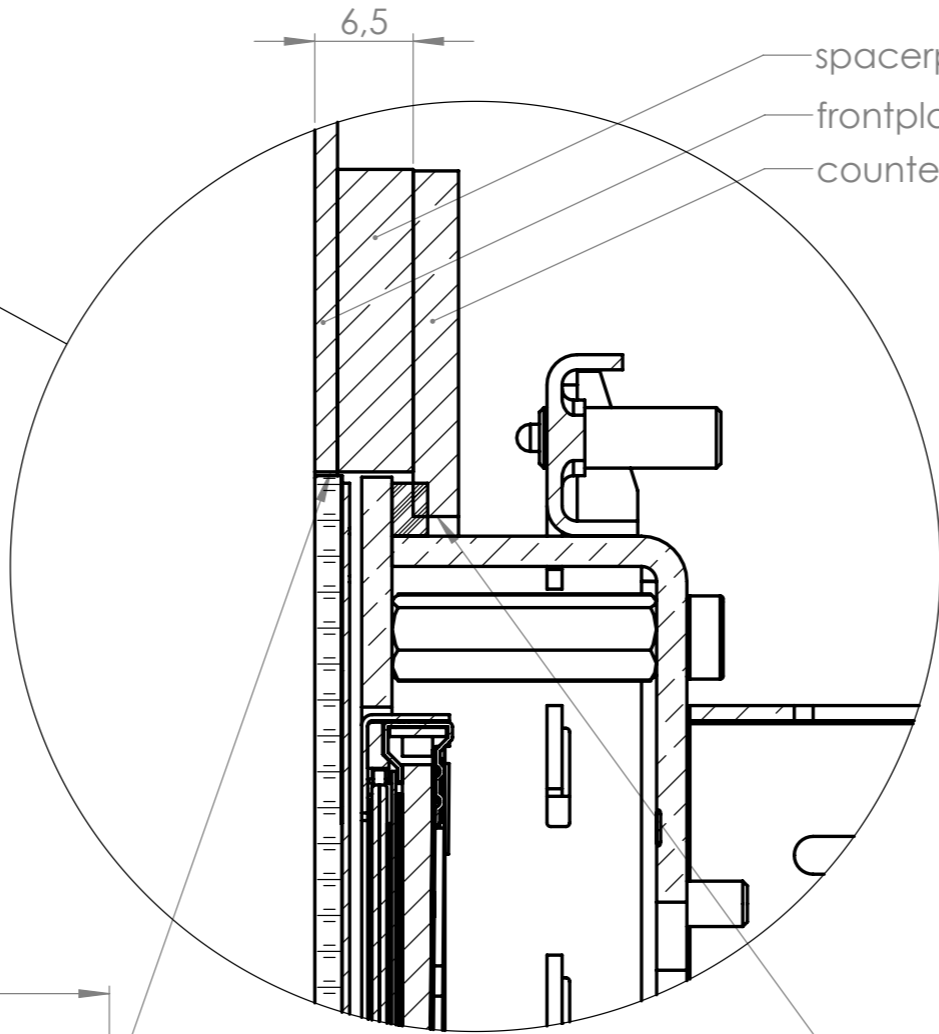
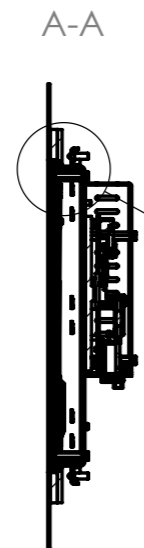
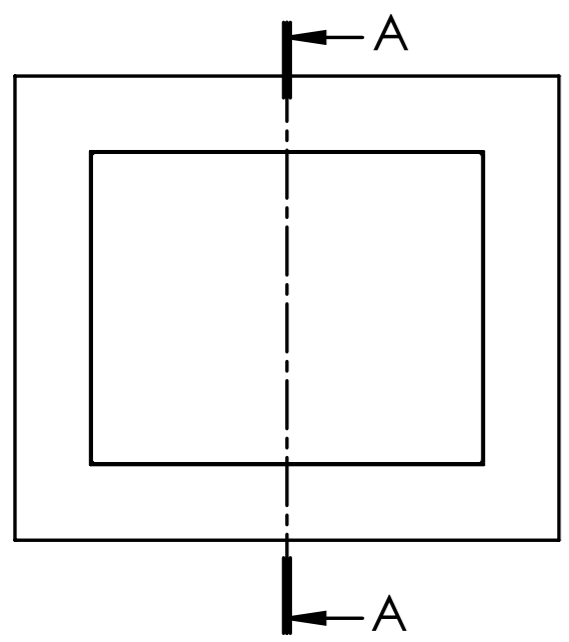
REAR VIEW



SIDE VIEW

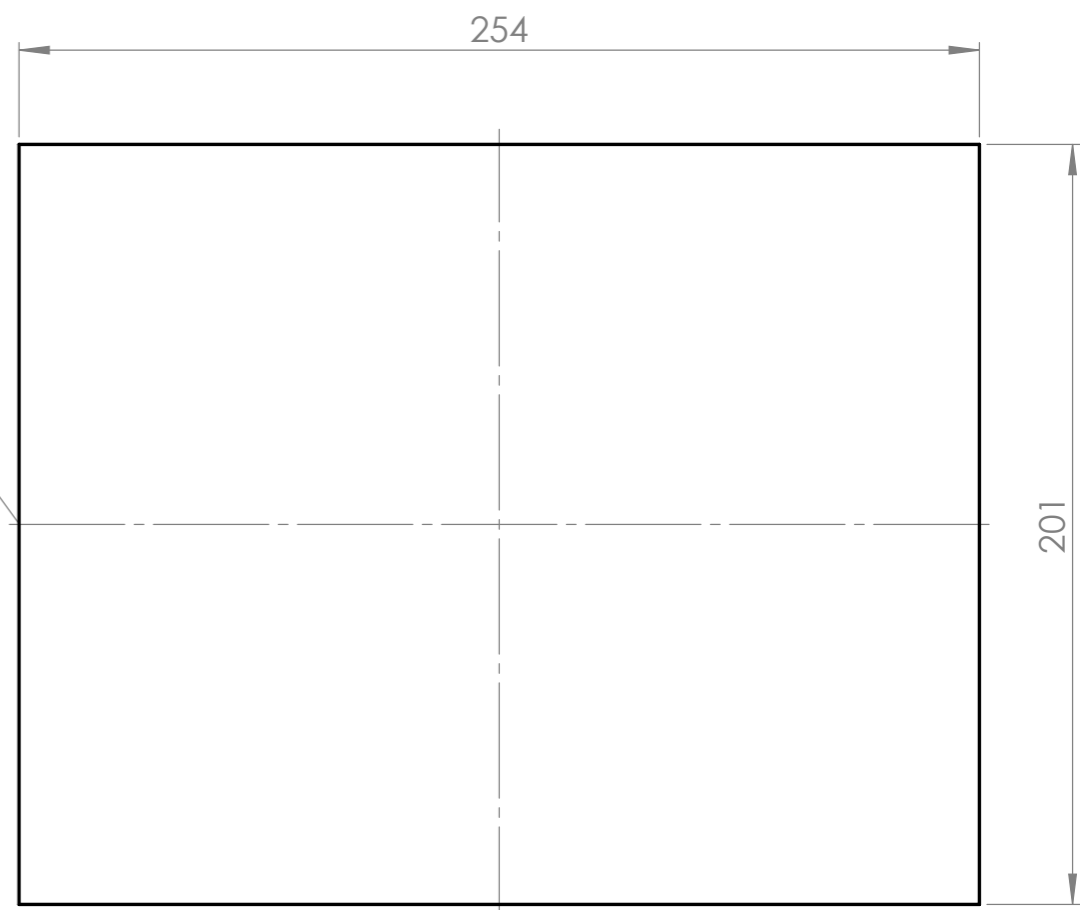
Drawing for illustration of mechanical measurements only. For more details see datasheet.

General tolerances DIN ISO 2768-mK	Drawn by: PL	Material: Raw material:	Scale: 1:2
Document type: general arrangement drawing	Proved by: PL	Surface treatment	
	Release date: 2020-07-06	Touch-it Open Frame glass 10,4 Übersichtszeichnung	
Rev	Date	Name	Sheet: 1/2 A2
			PA10006157
Proprietary notice ISO 16016 to be considered			

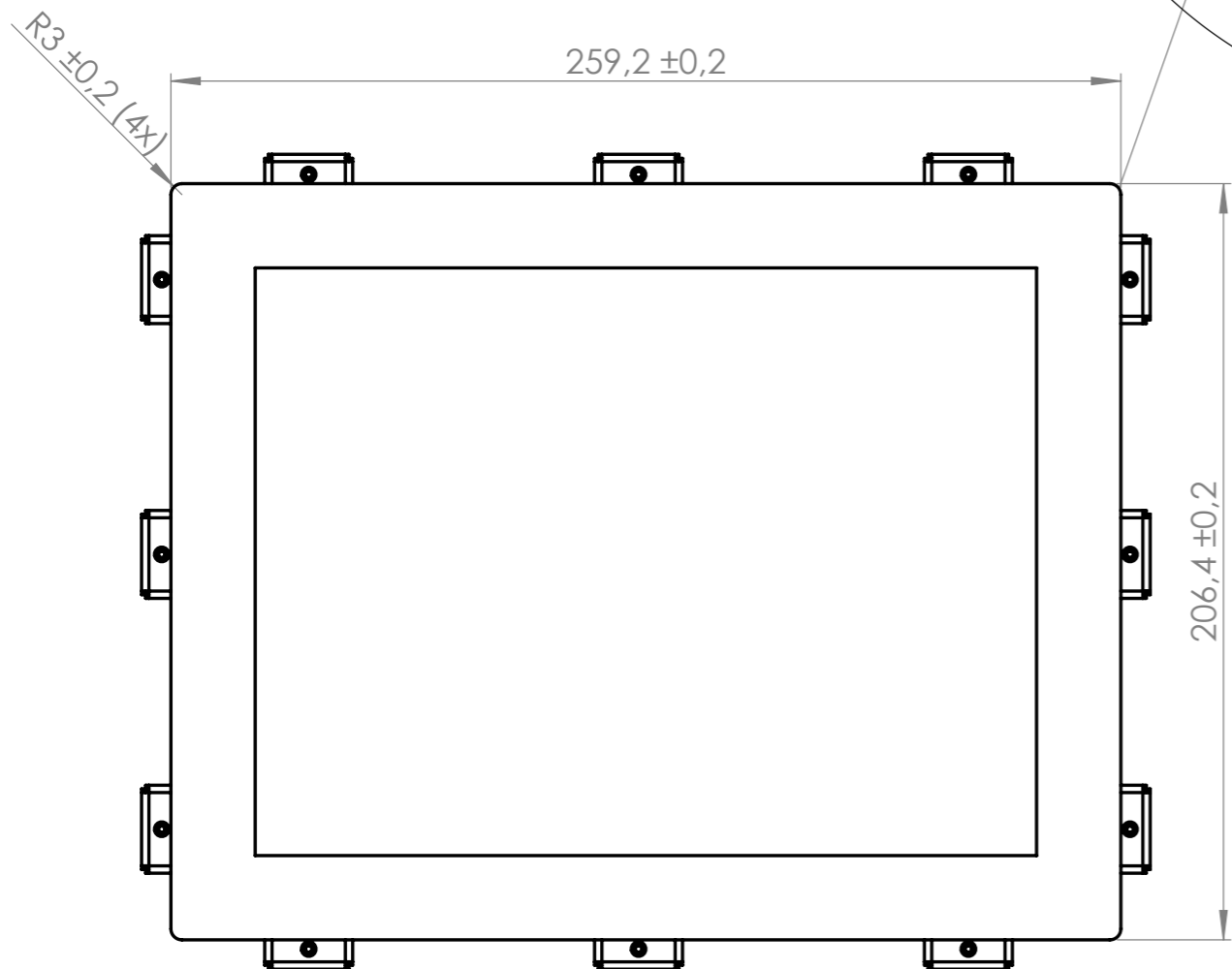


spacerplate
frontplate
counterplate

B(2:1)



cut-out - counterplate



cut-out - front- spacerplate*

General tolerances DIN ISO 2768-mK			Drawn by: PL	Material: Raw material:	Scale: 1:5
Document type: general arrangement drawing			Proved by: PL	Surface treatment	
			Release date: 2020-07-06	Touch-it Open Frame glass 10,4 Übersichtszeichnung	
				PA10006157	
Rev	Date	Name		Sheet: 2/2 A3	
Proprietary notice ISO 16016 to be considered					

* The actual cut-out-dimensions of the front- and spacerplate need to be subject to the prevalent assembly situation (production tolerances, ambient temperature, etc.) and therefore to be defined by the customer.