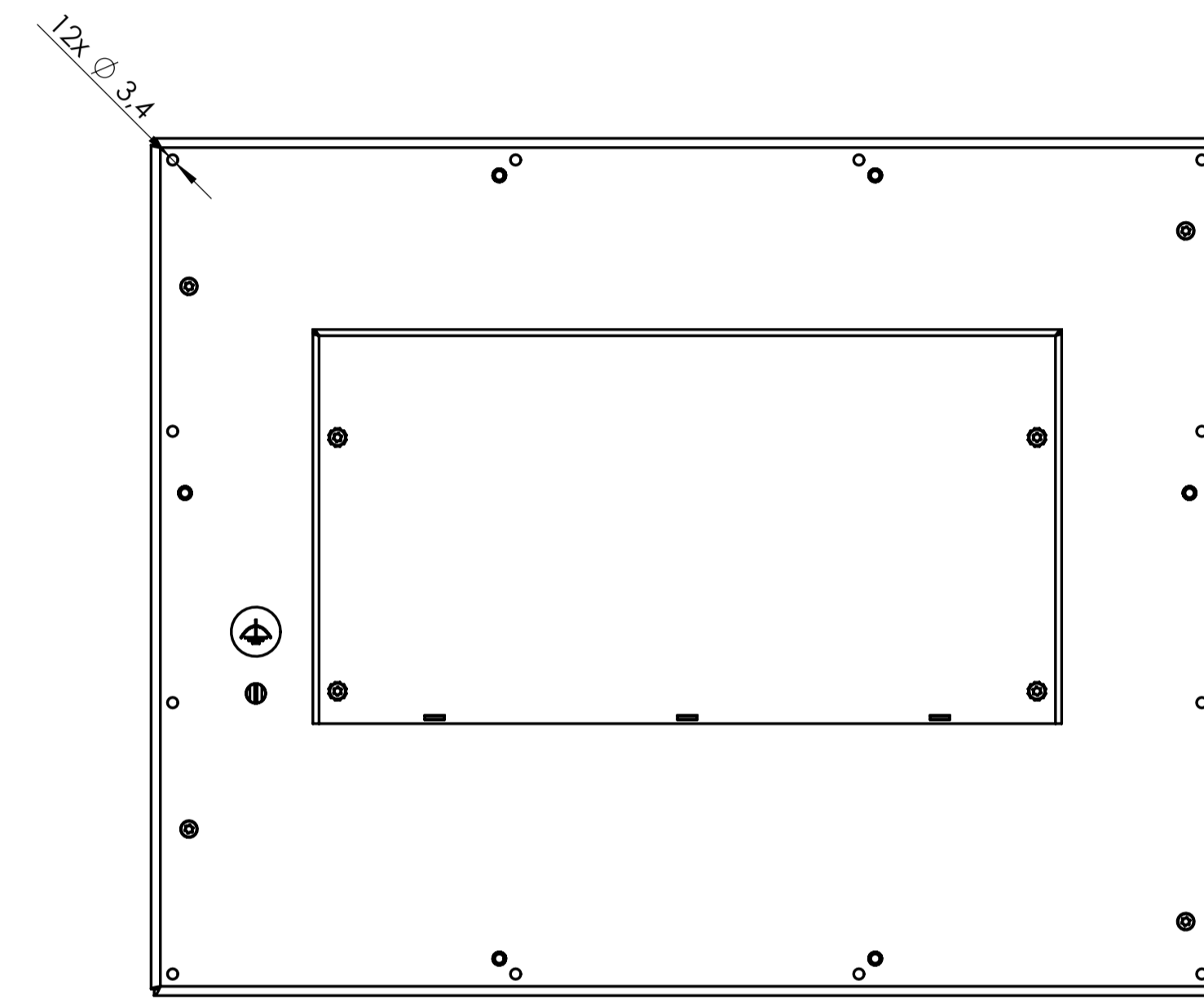
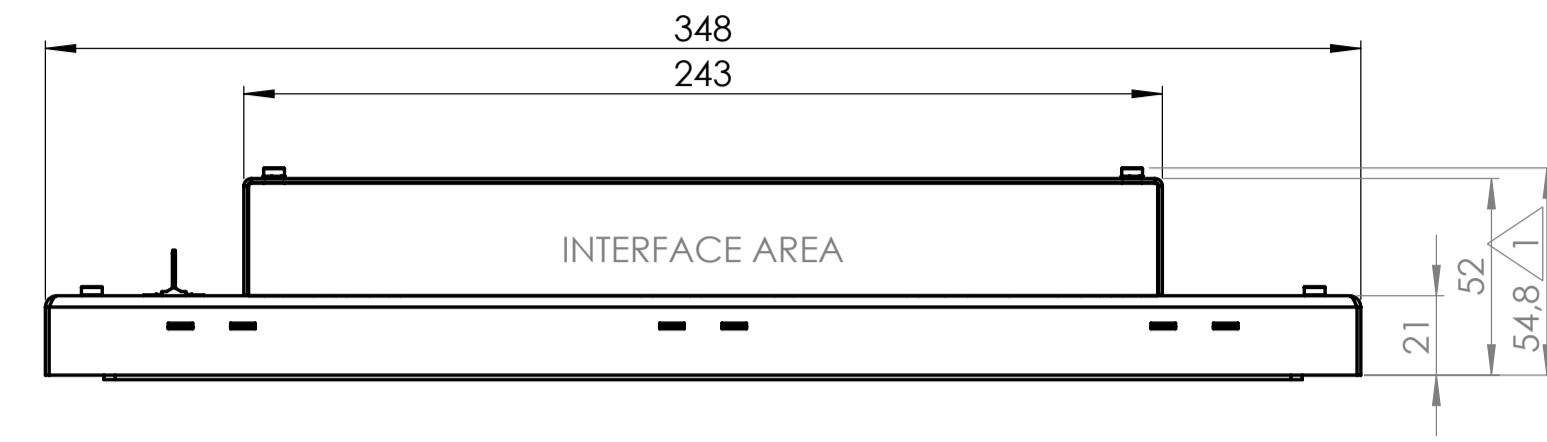


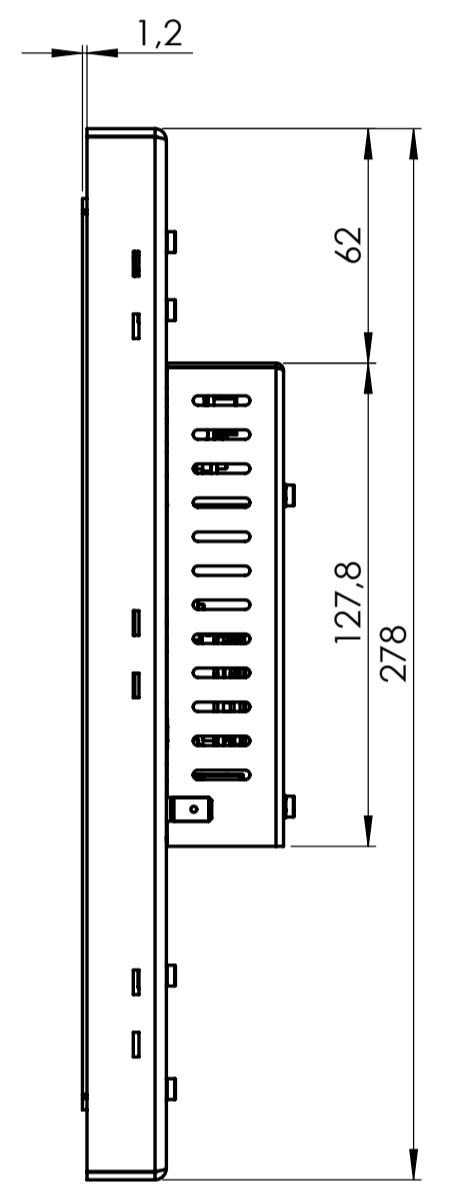
FRONT VIEW



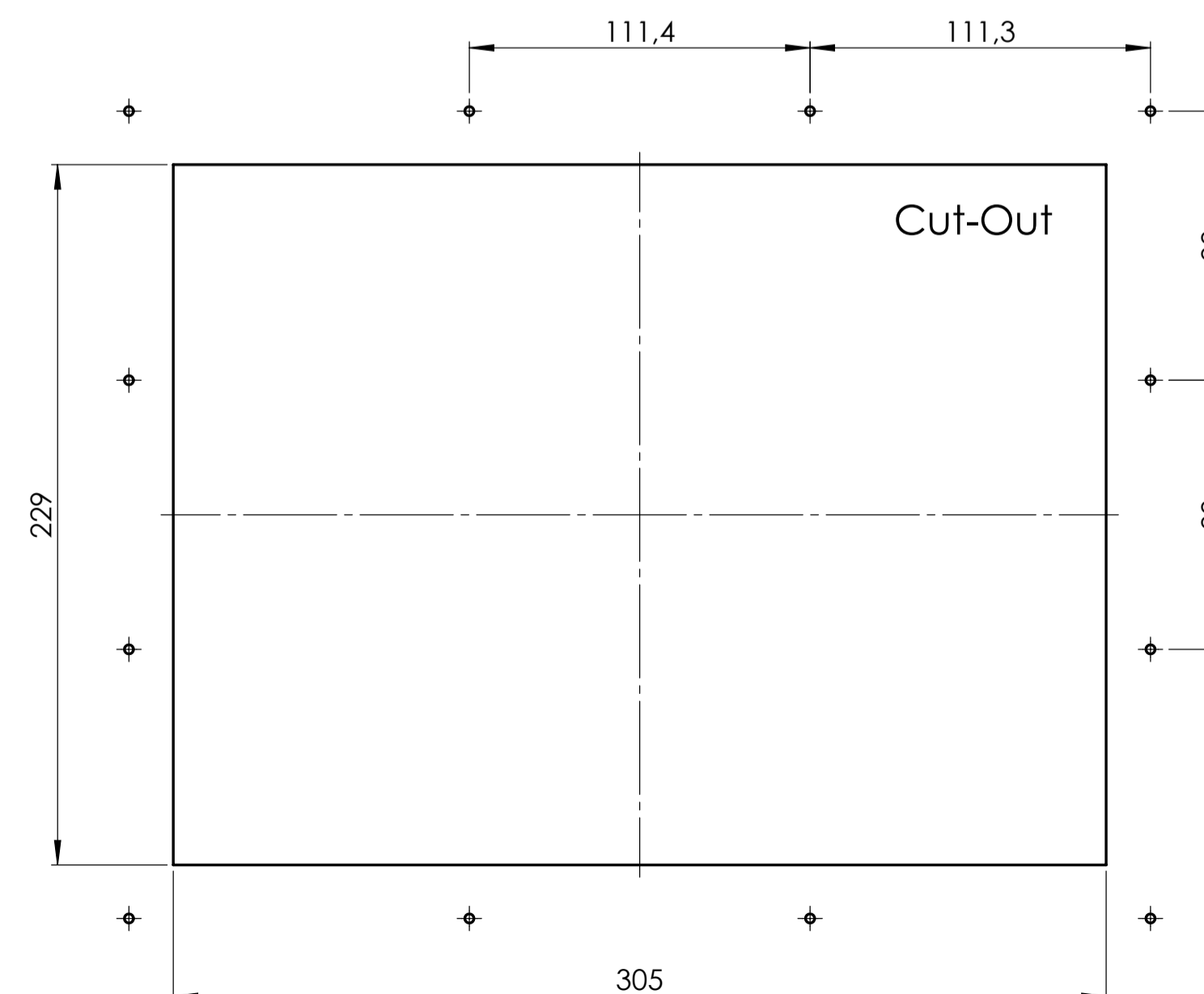
BACK VIEW



BOTTOM VIEW



SIDE VIEW



Cut-Out

General tolerances DIN ISO 2768-mK	Drawn by: PL	Material: Raw material:	Scale: 1:2
Document type: general arrangement drawing	Proved by: PL	Surface treatment	
	Release date: 2020-07-06	Touch-it Open Frame 15 Übersichtszeichnung	
Rev	Date	Name	Sheet: 1/1 A1
			PA10006155
<small>Proprietary notice ISO 16016 to be considered</small>			