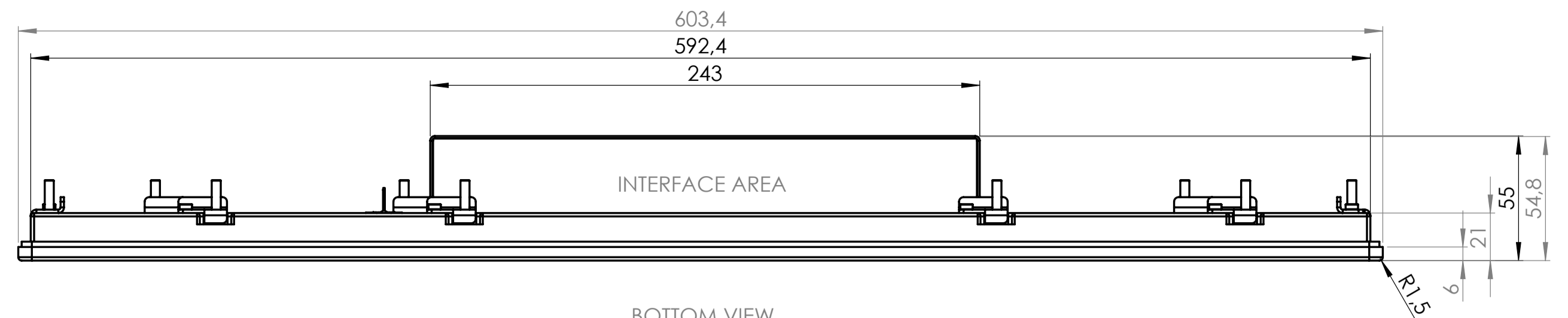
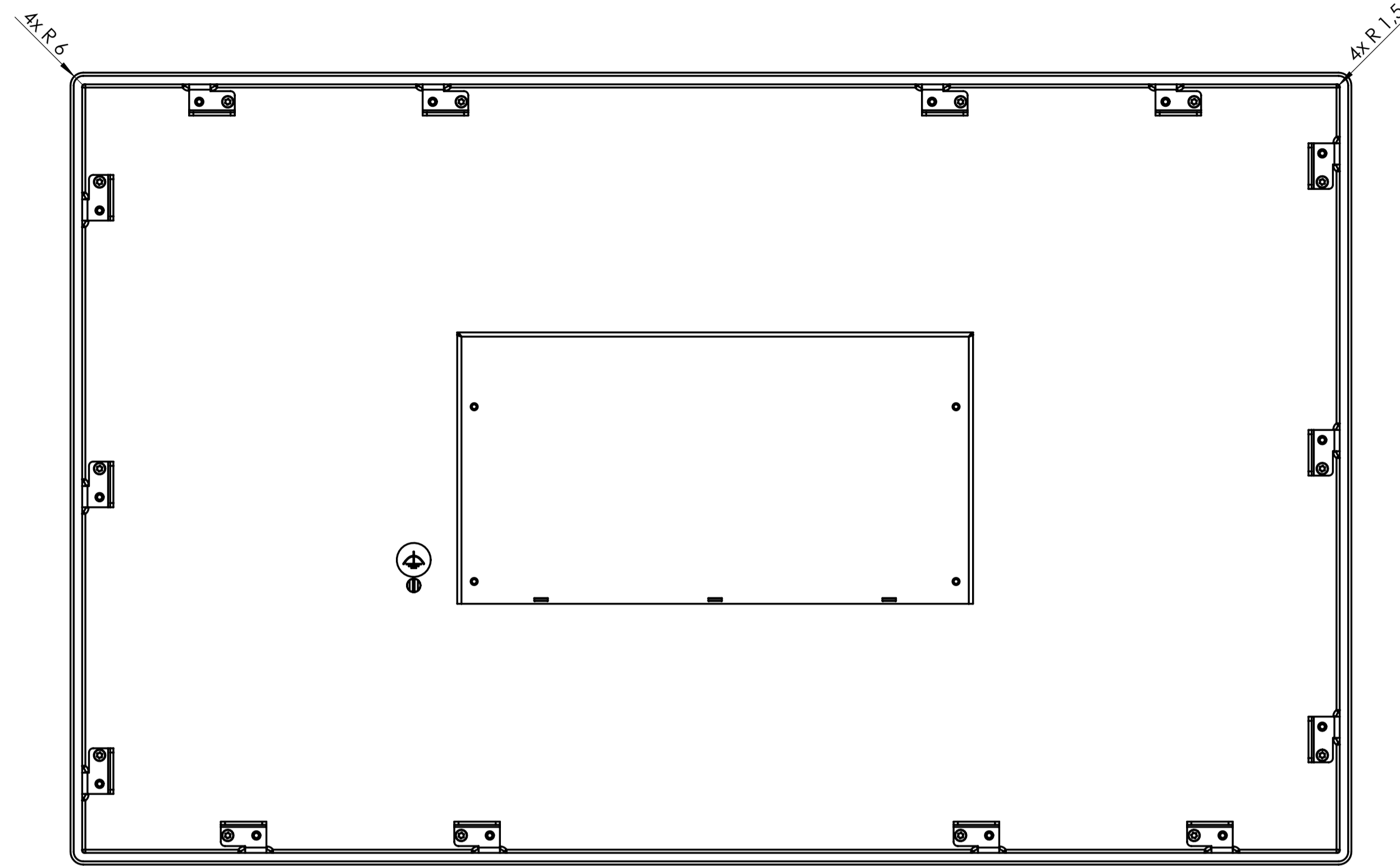


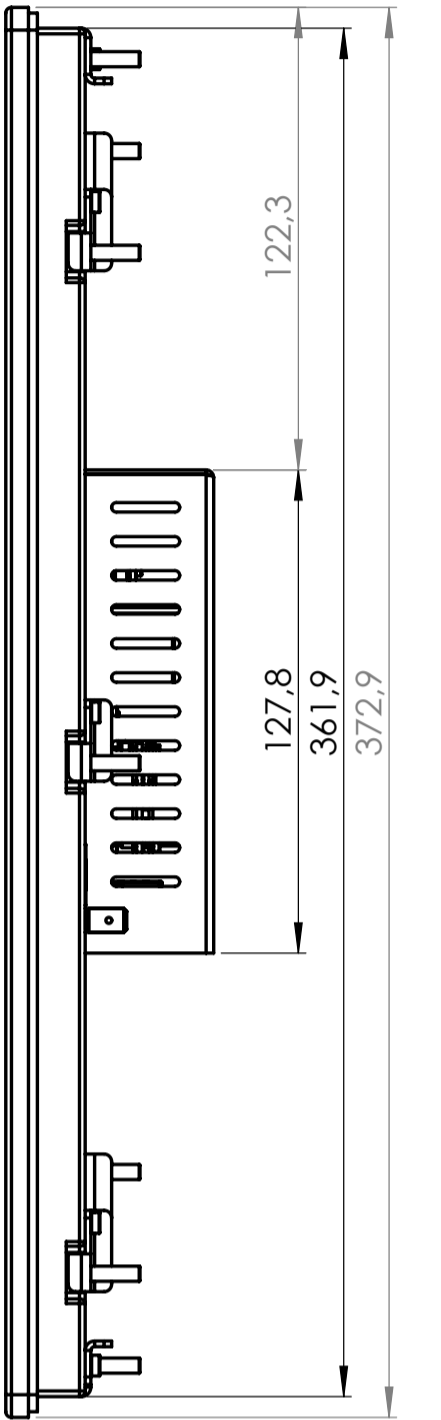
FRONT VIEW



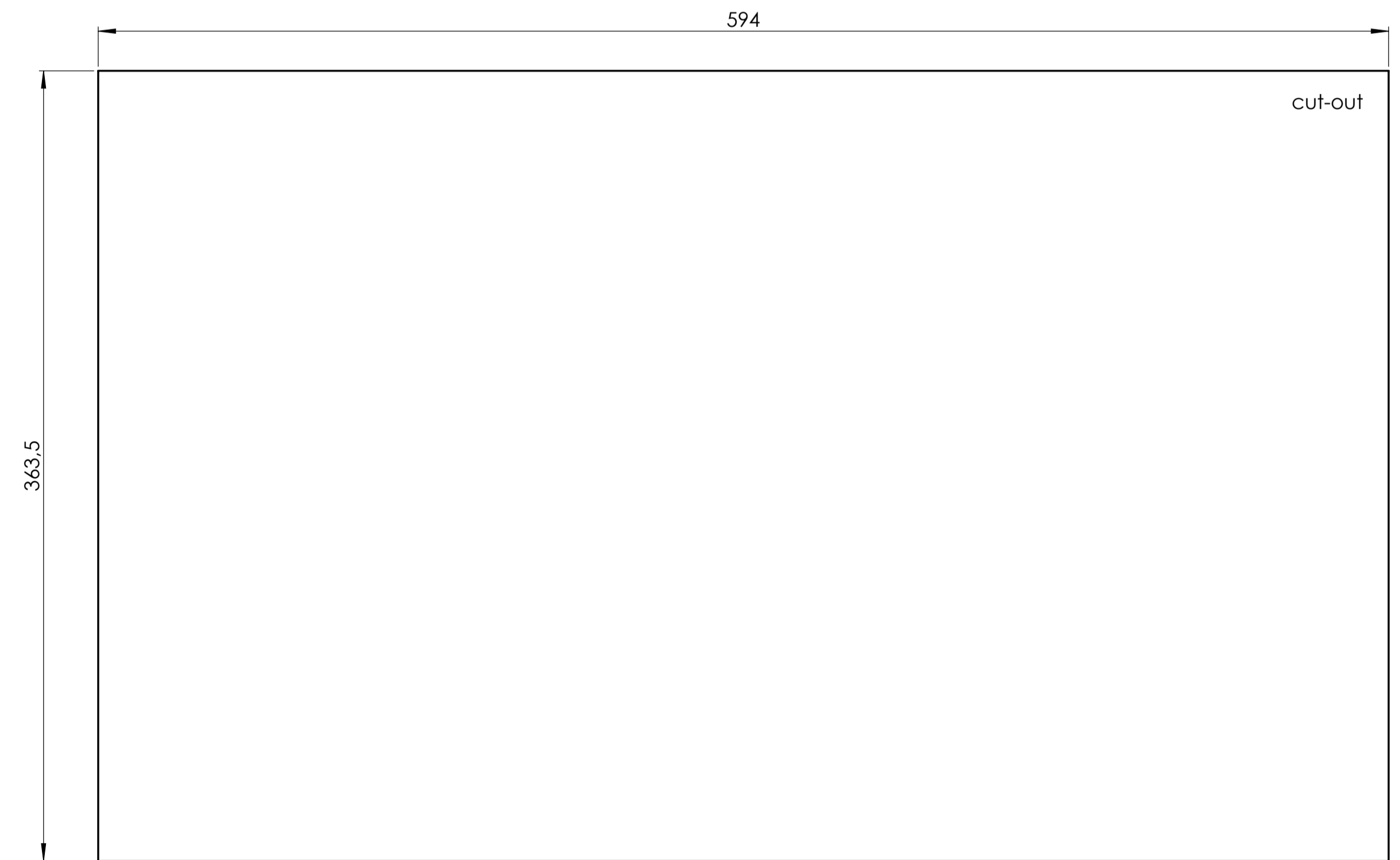
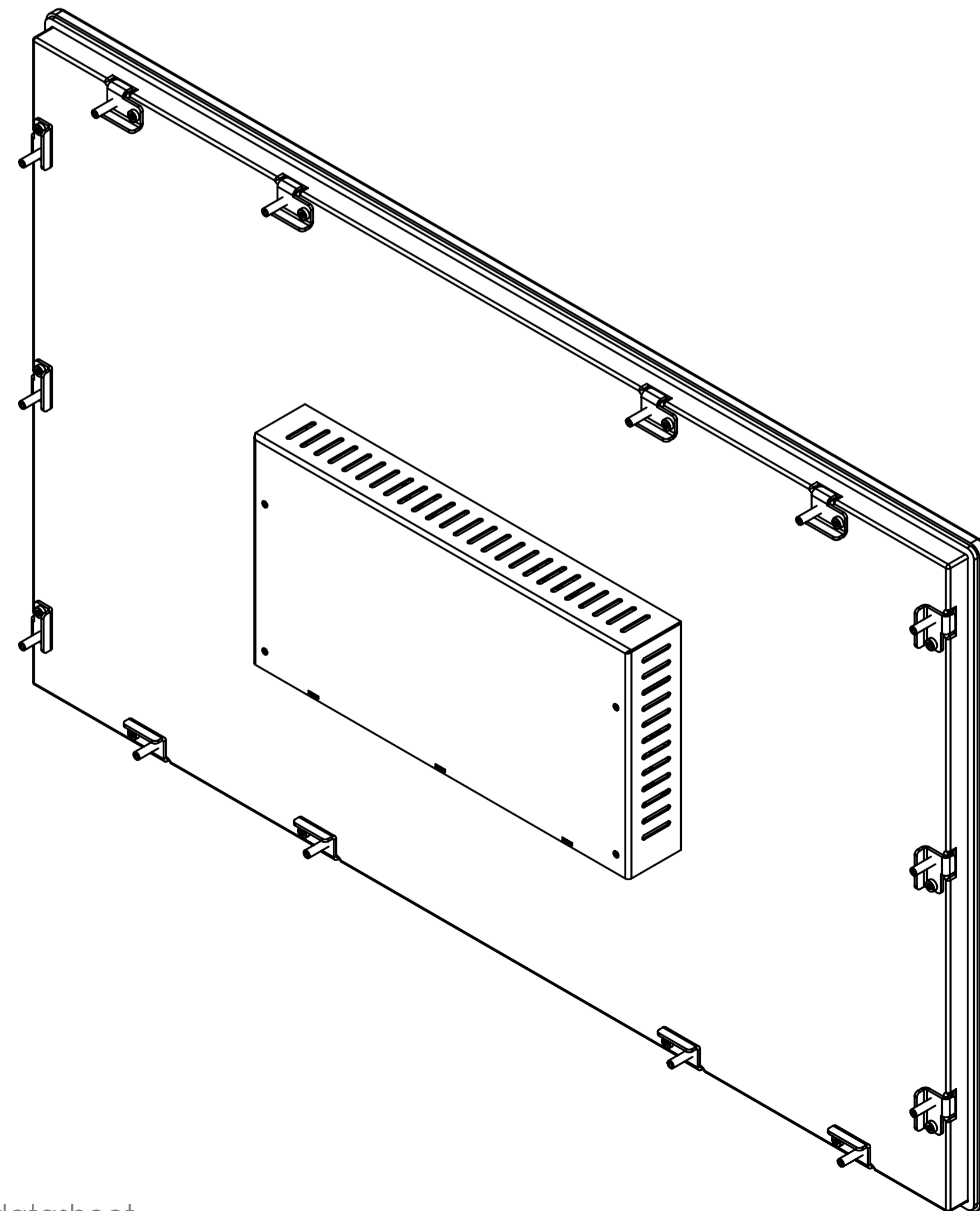
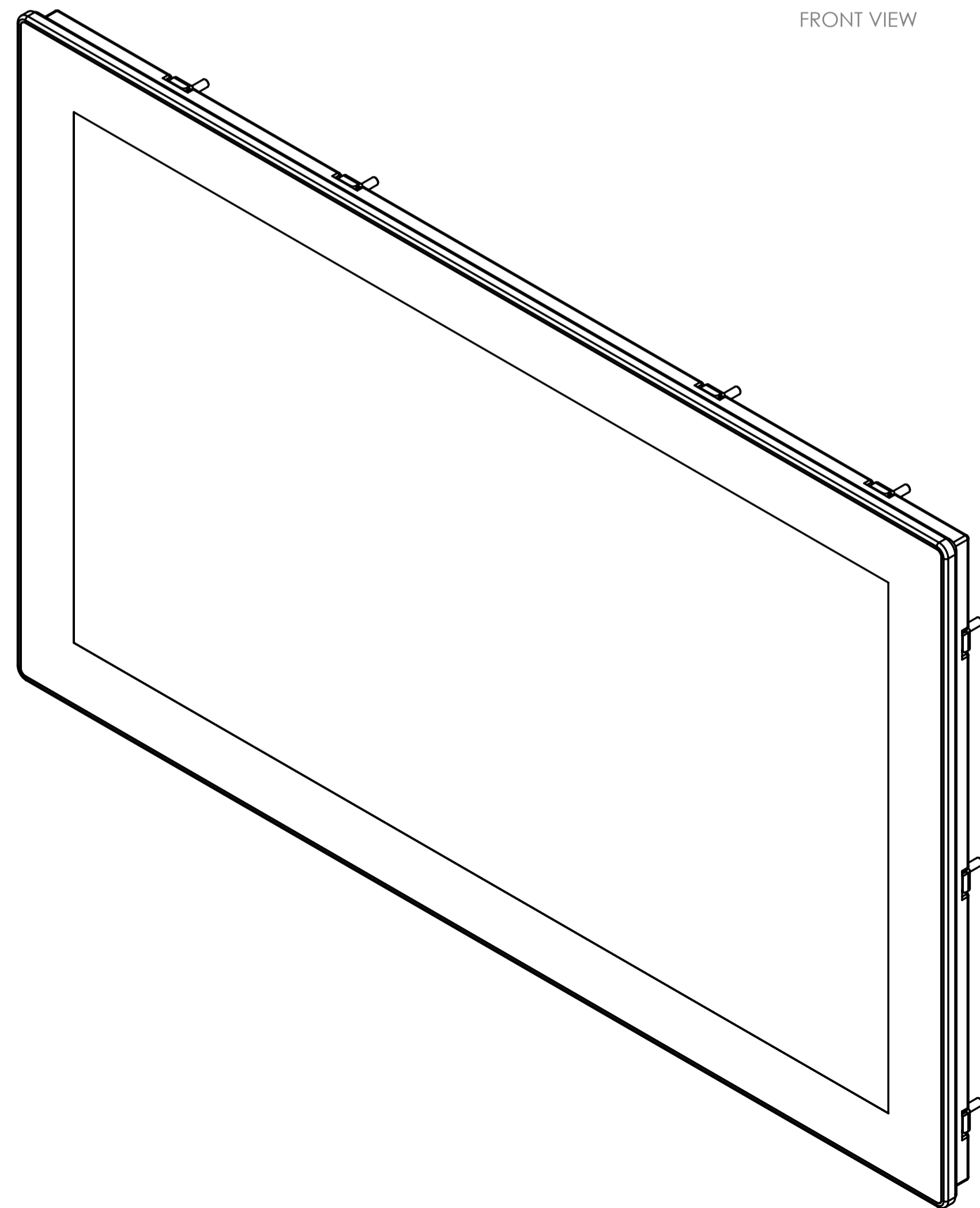
BOTTOM VIEW



REAR VIEW



SIDE VIEW



cut-out

General tolerances DIN ISO 2768-mK	Drawn by: PL	Material: Raw material:	Scale: 1:2
Document type: general arrangement drawing	Proved by: PL	Surface treatment	
	Release date: 2020-07-06	Touch-it Front Panel glass 23.8 Übersichtszeichnung	Sheet: 1/1
Rev	Date	Name	A1



PA10006152

Proprietary notice ISO 16016 to be considered