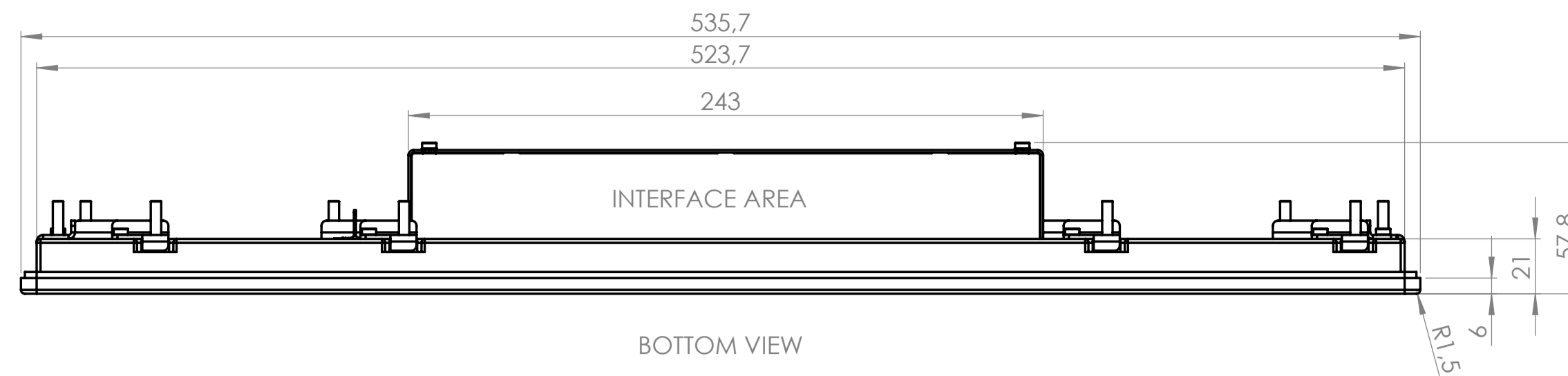
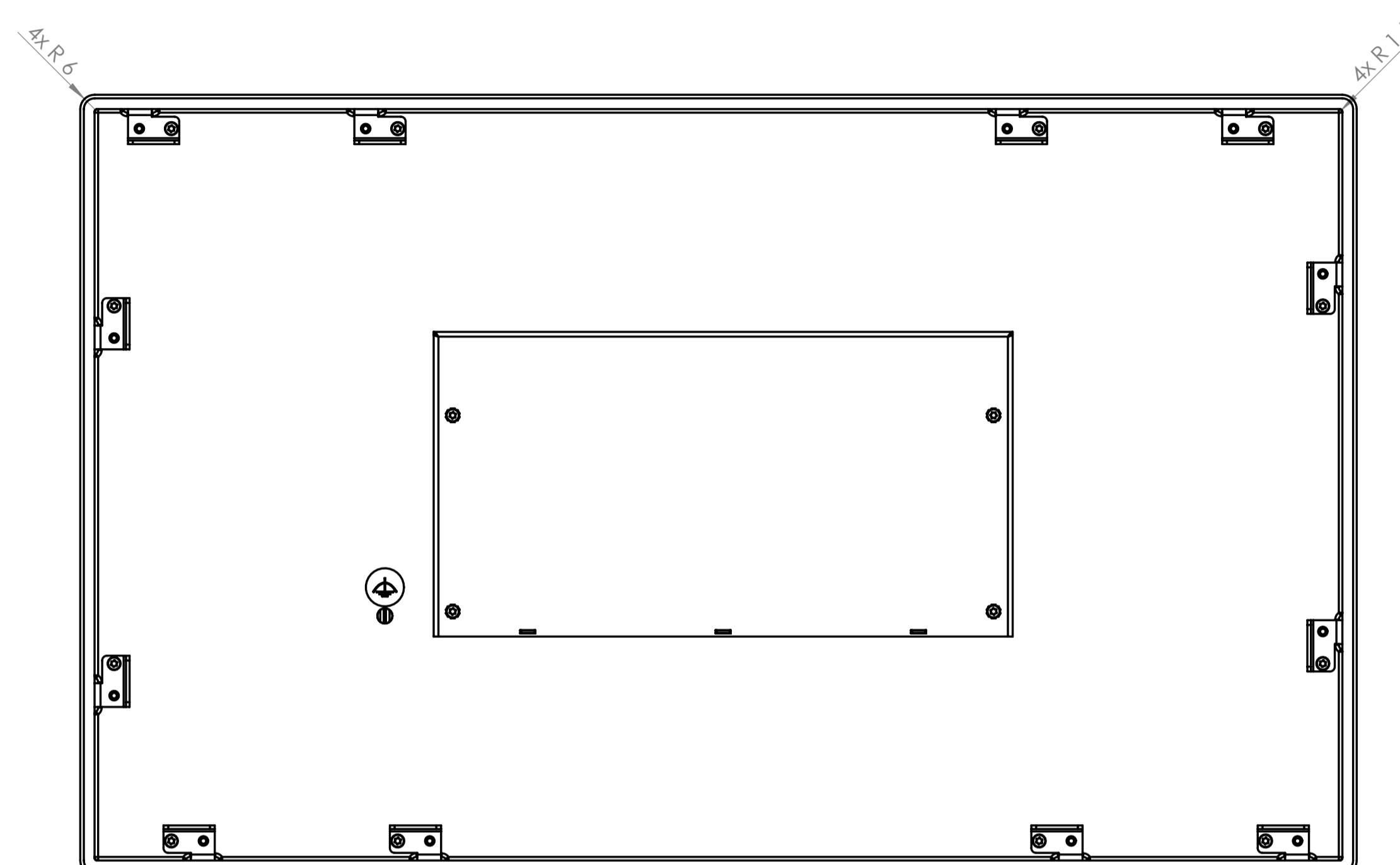


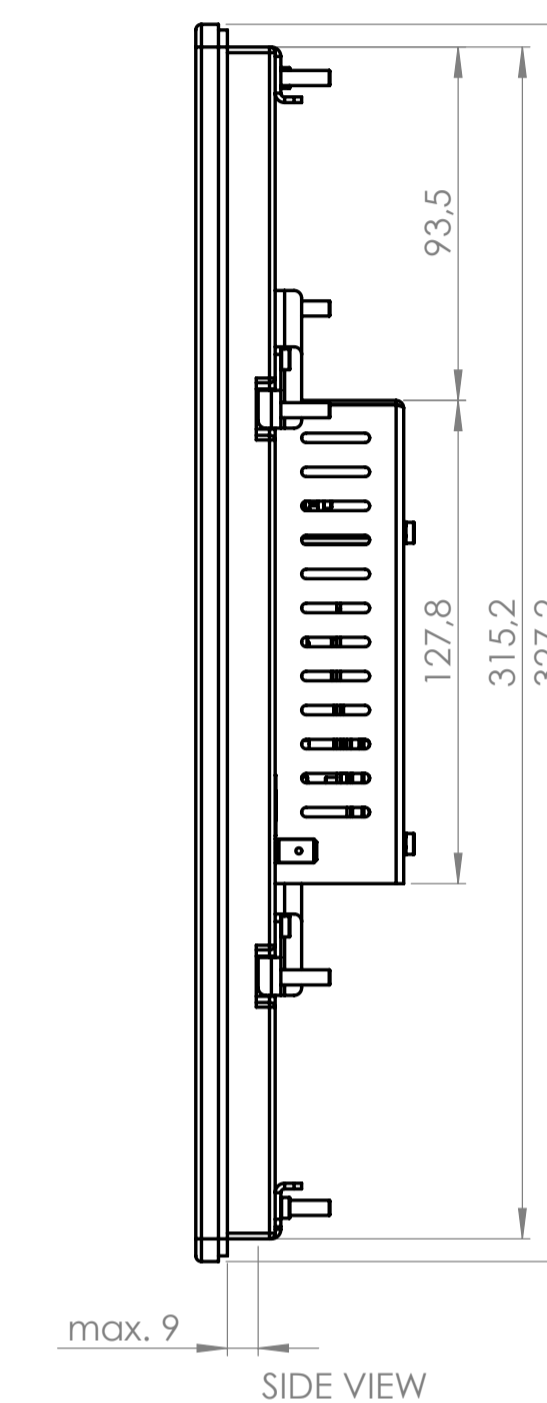
FRONT VIEW



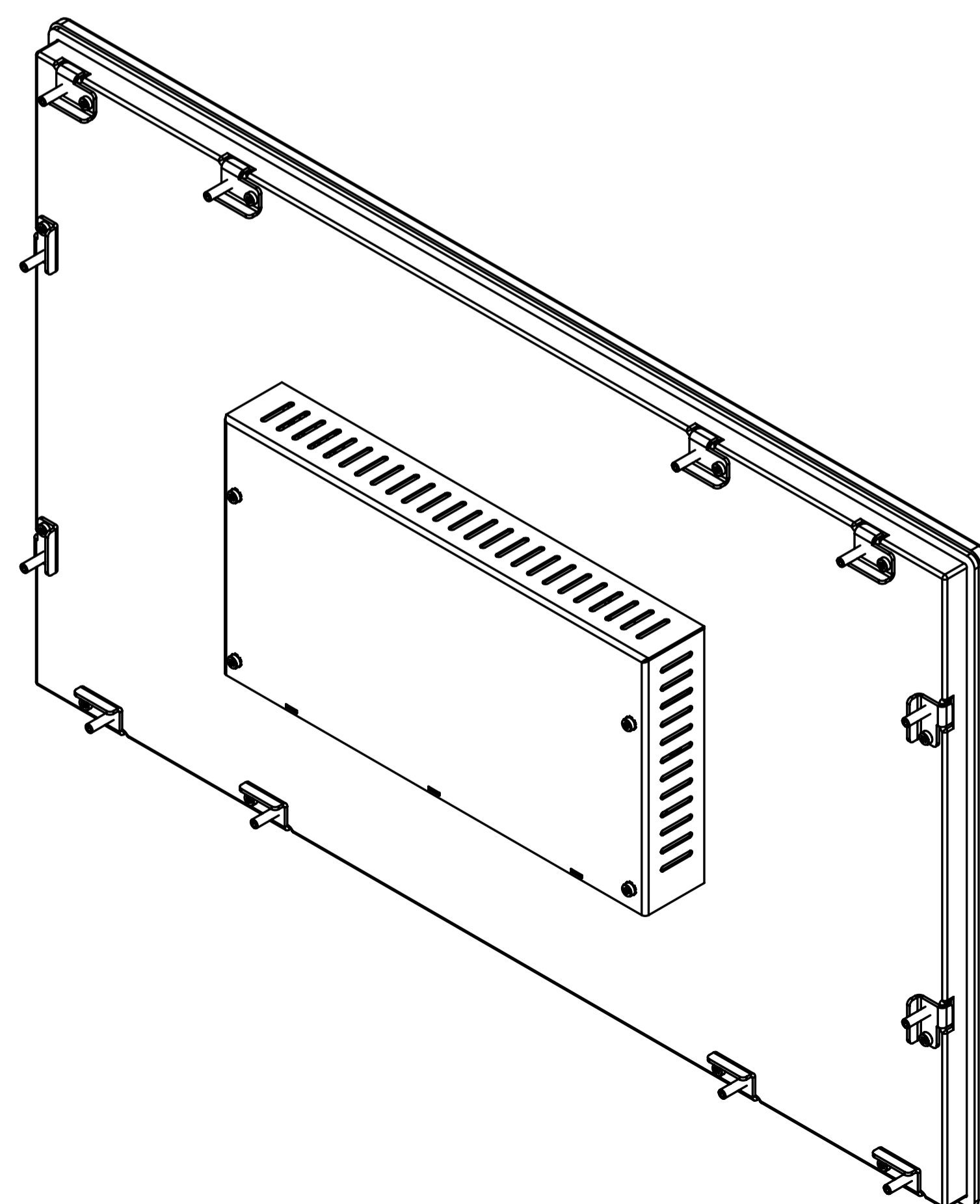
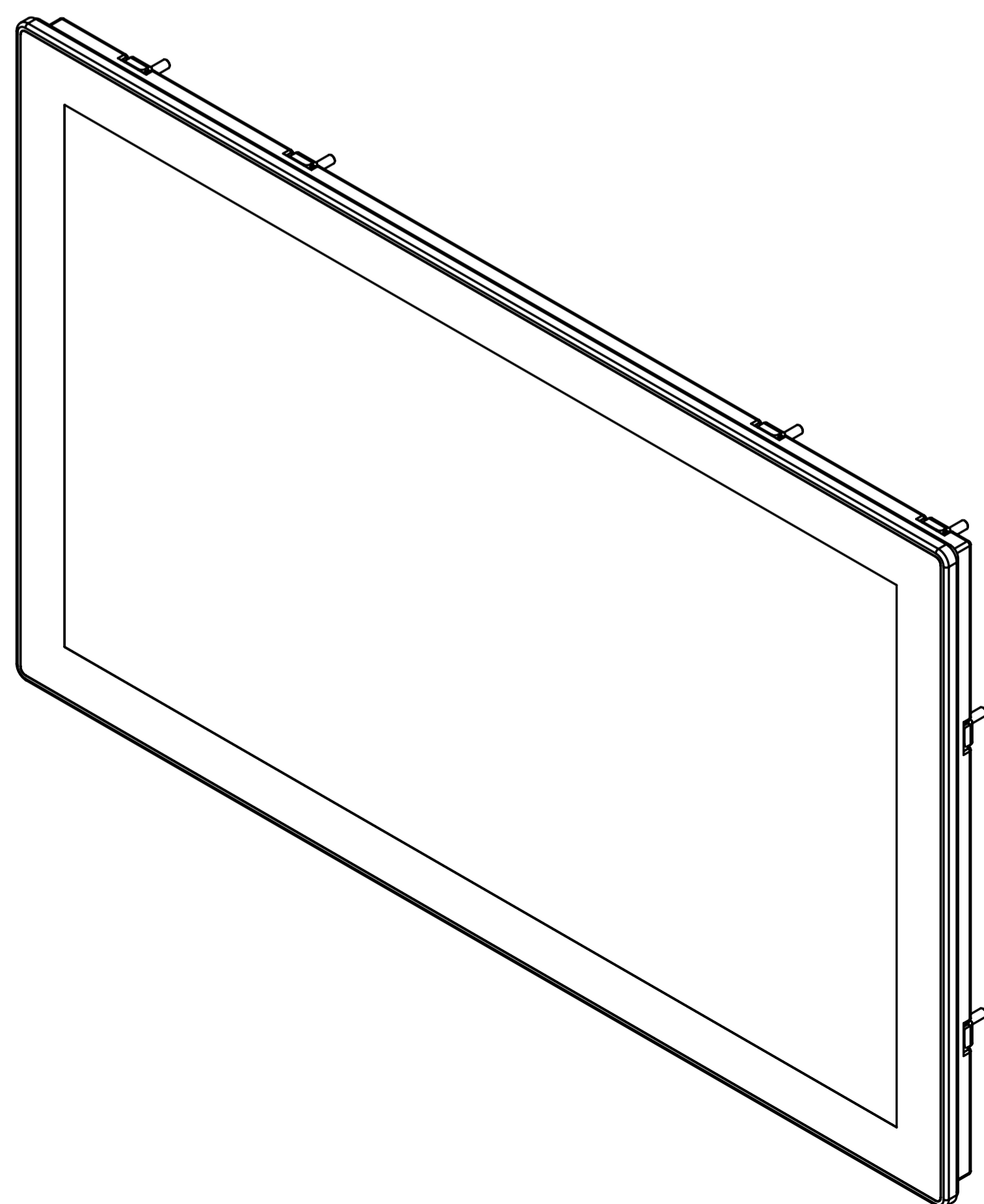
BOTTOM VIEW



REAR VIEW



SIDE VIEW



General tolerances DIN ISO 2768-mK	Drawn by: PL	Material: Raw material:	Scale: 1:2
Document type: general arrangement drawing	Provided by: PL	Surface treatment:	
	Release date: 2020-07-06	Touch-it Front Panel glass 21,5 Übersichtszeichnung	
Rev.	Date	Name	Page: 1/1 A1
			PA10006151
<small>Proprietary notice ISO 16016 to be considered</small>			

