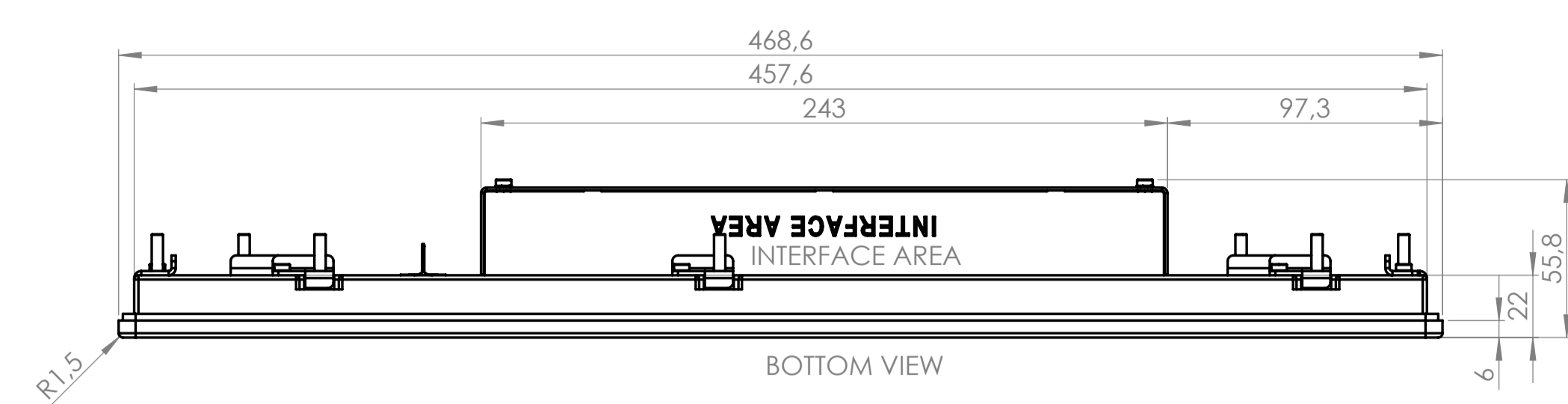
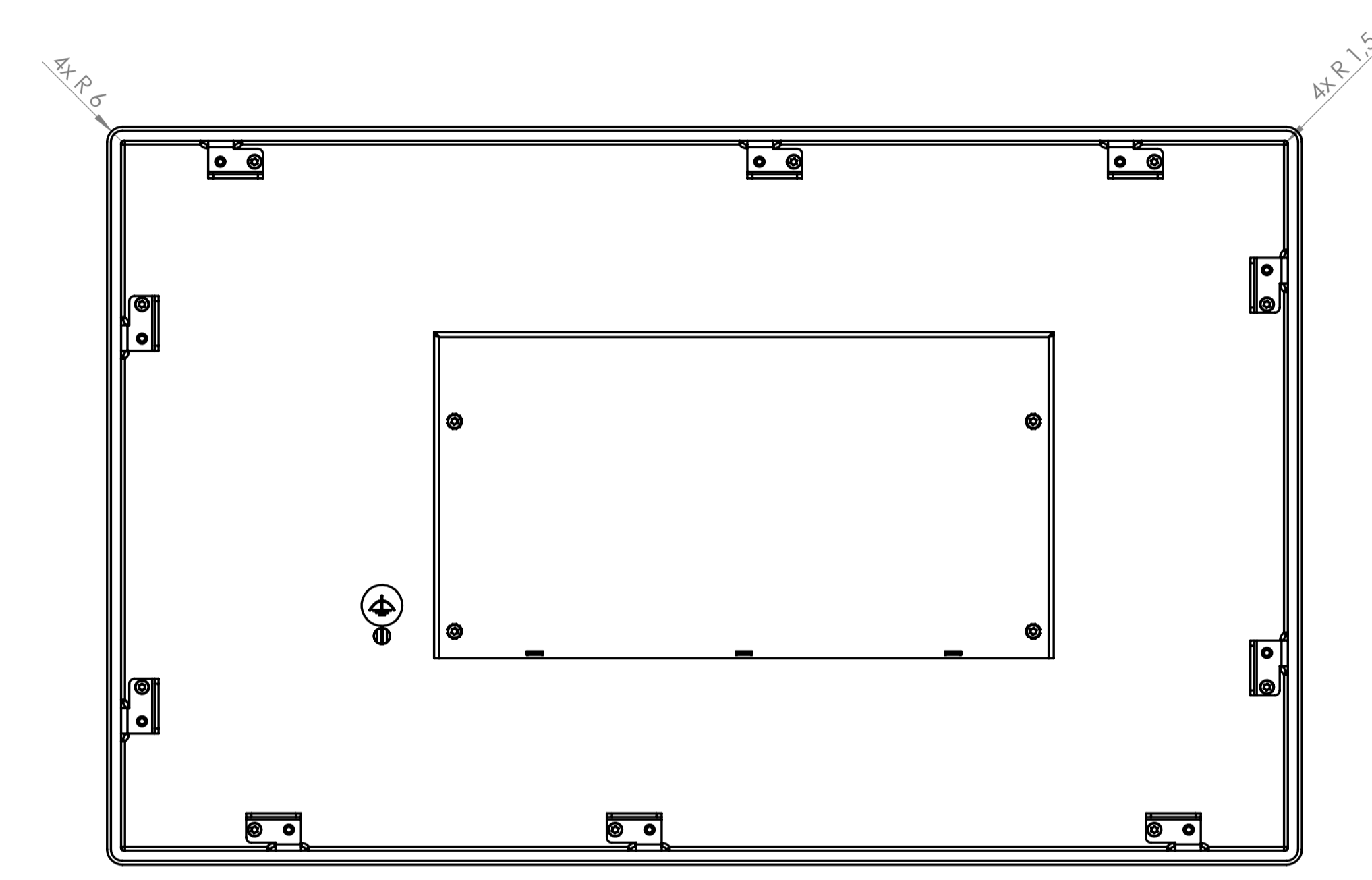


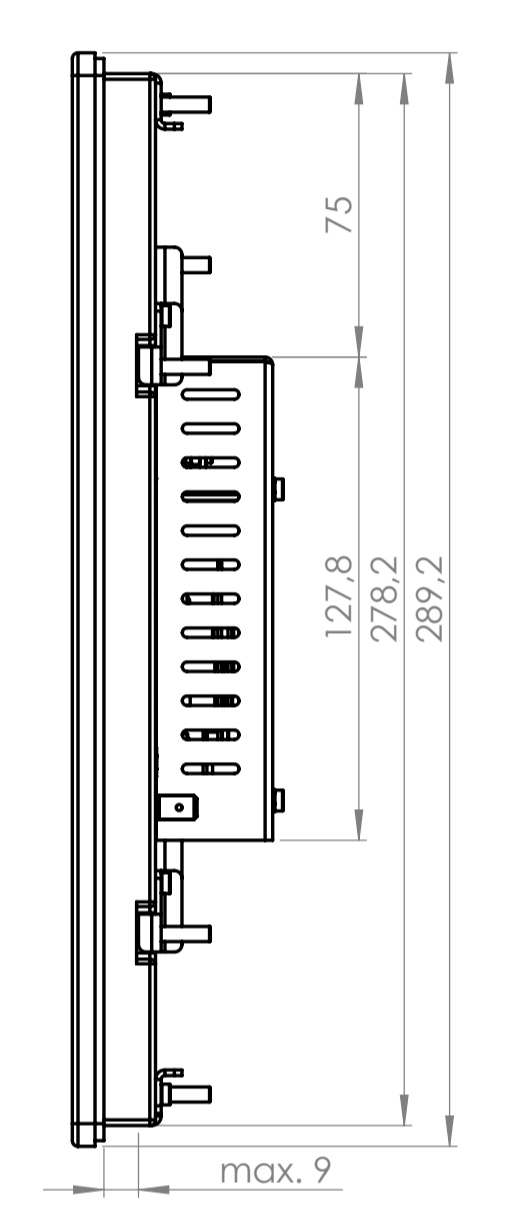
FRONT VIEW



BOTTOM VIEW



REAR VIEW



SIDE VIEW

General tolerances DIN ISO 2768-mK	Drawn by: PL	Material: Raw material:	Scale: 1:2
Document type: general arrangement drawing	Proved by: CH	Surface treatment:	
	Release date: 2021-06-14	Touch-it Front Panel glass 18,5 Übersichtszeichnung	
Rev.	Date	Name	Page: 1/1 A1
		PA10006150	
<small>Proprietary notice ISO 16016 to be considered</small>			

Drawing for illustration of mechanical measurements only. For more details see datasheet.