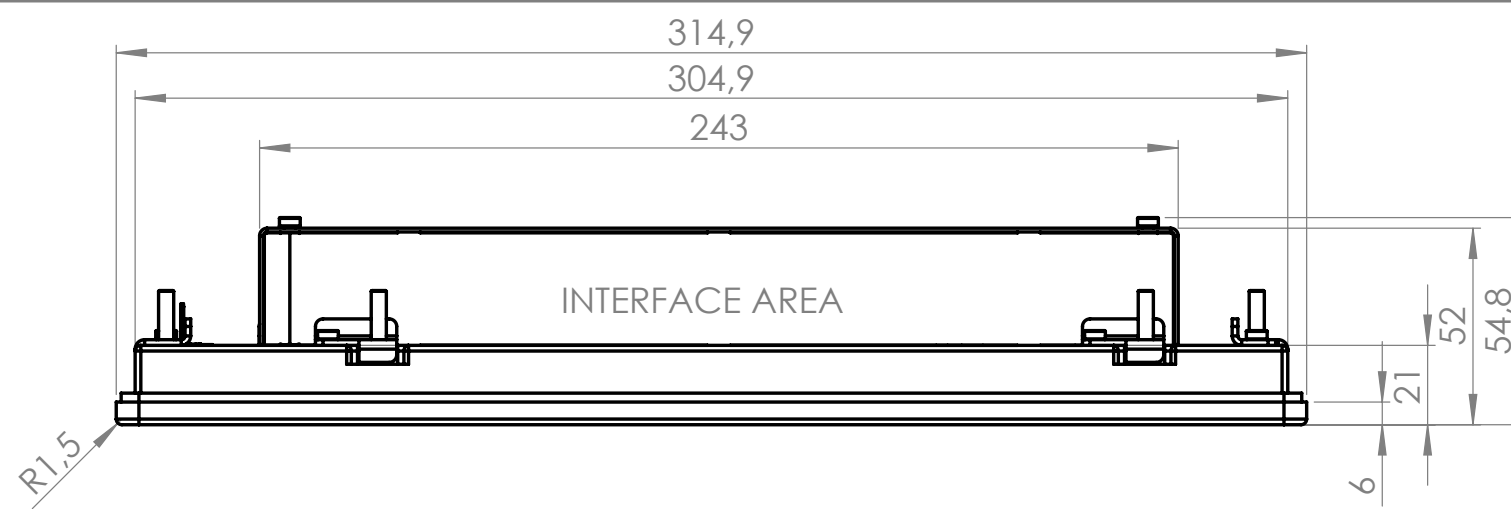
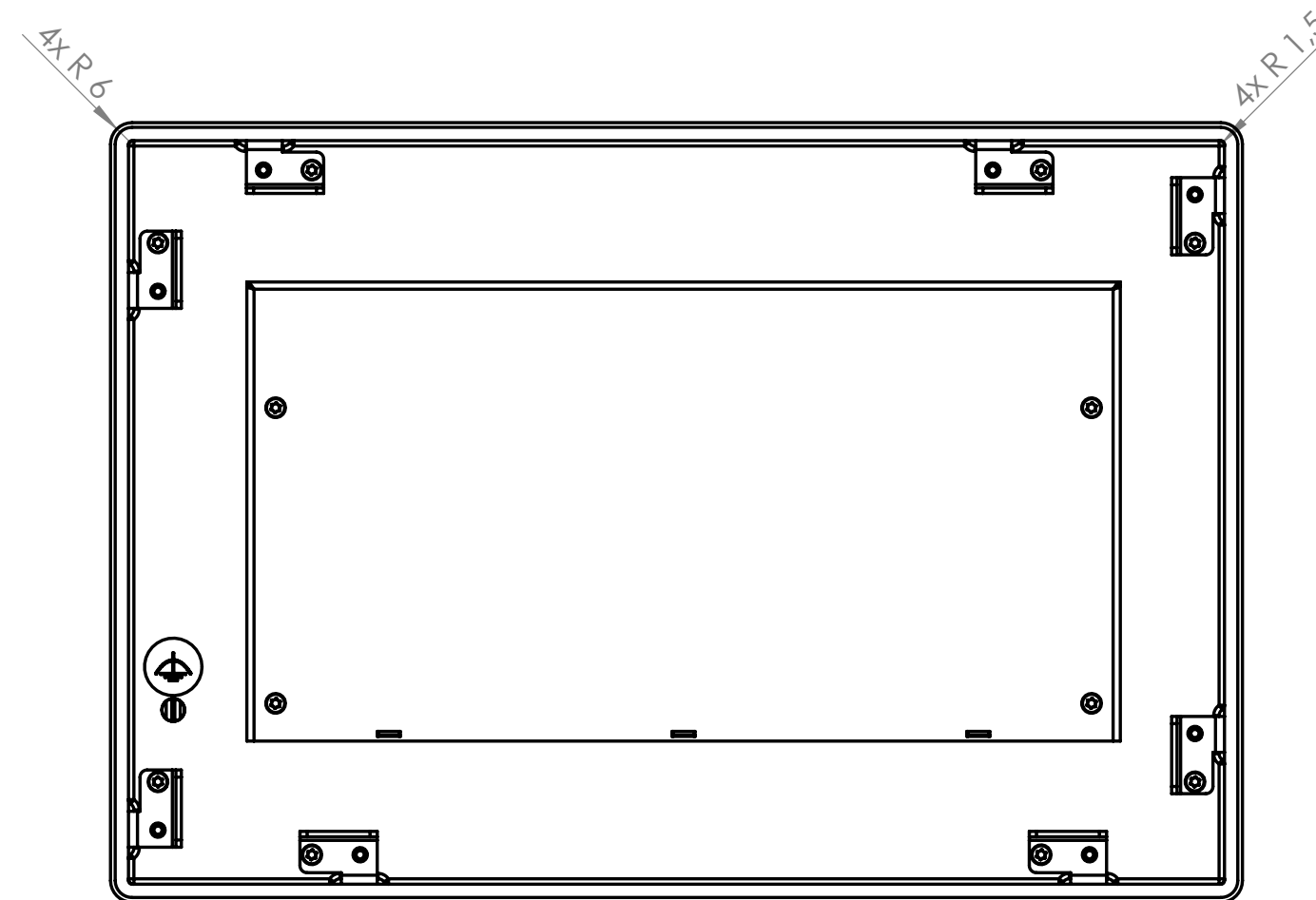


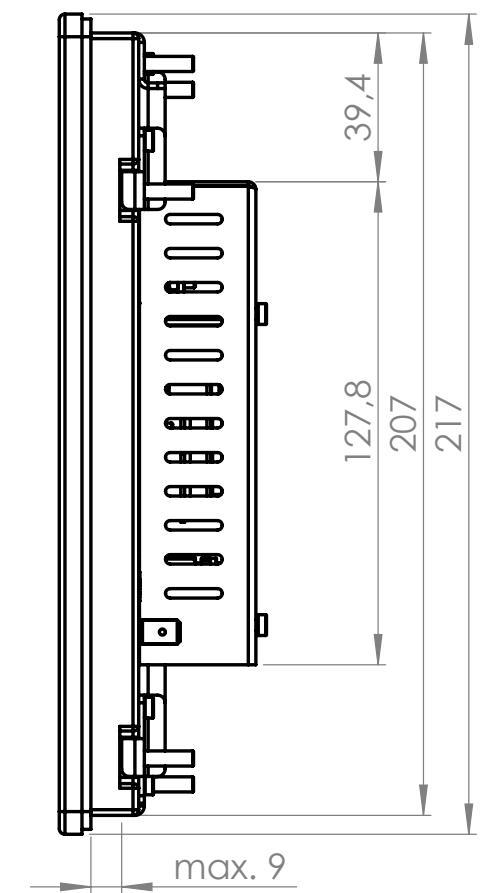
FRONT VIEW



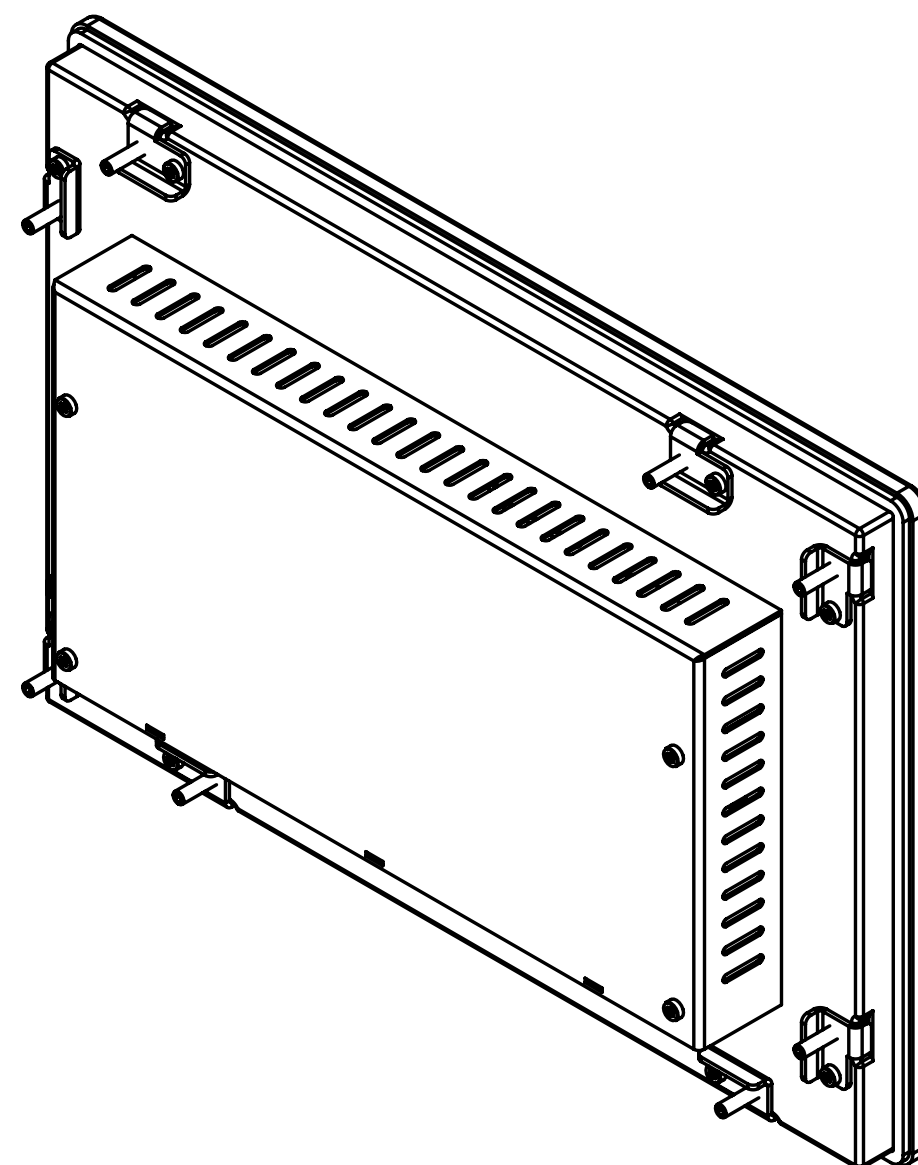
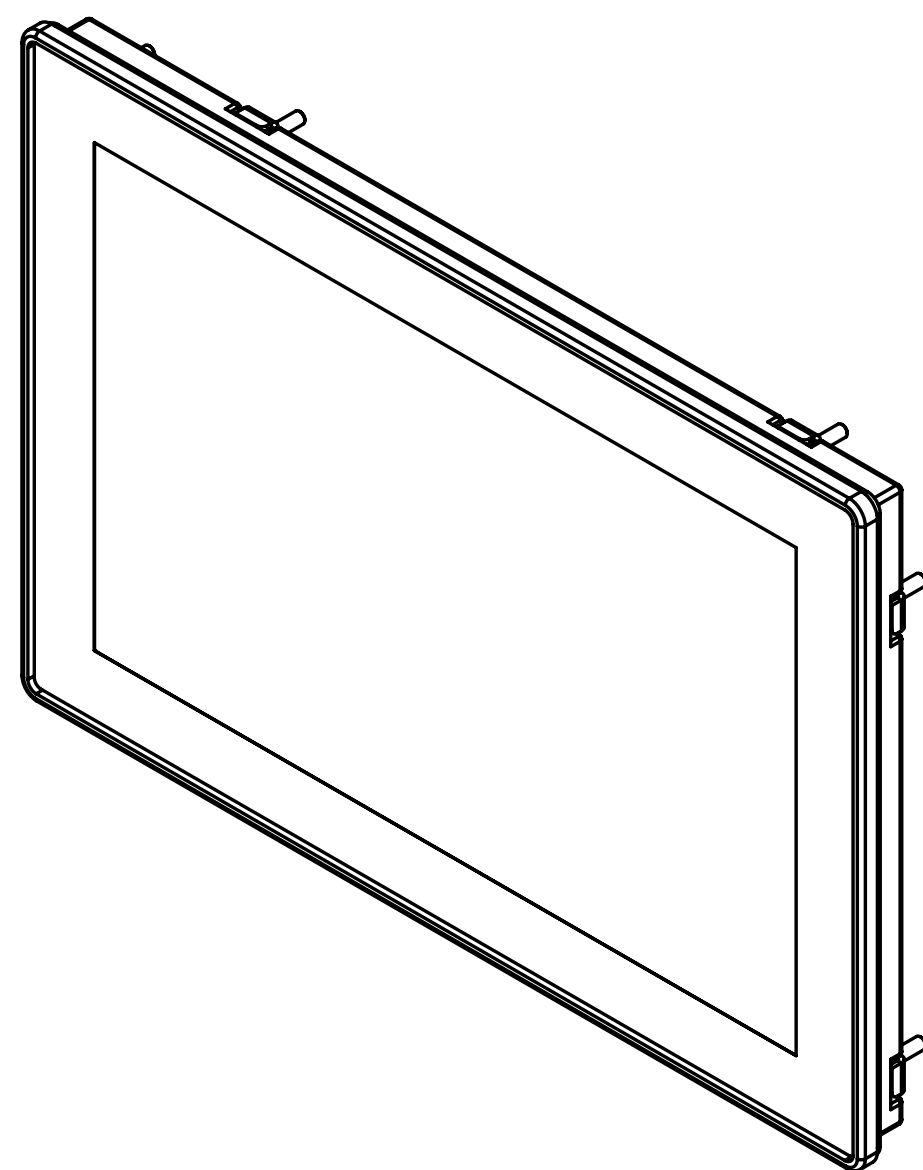
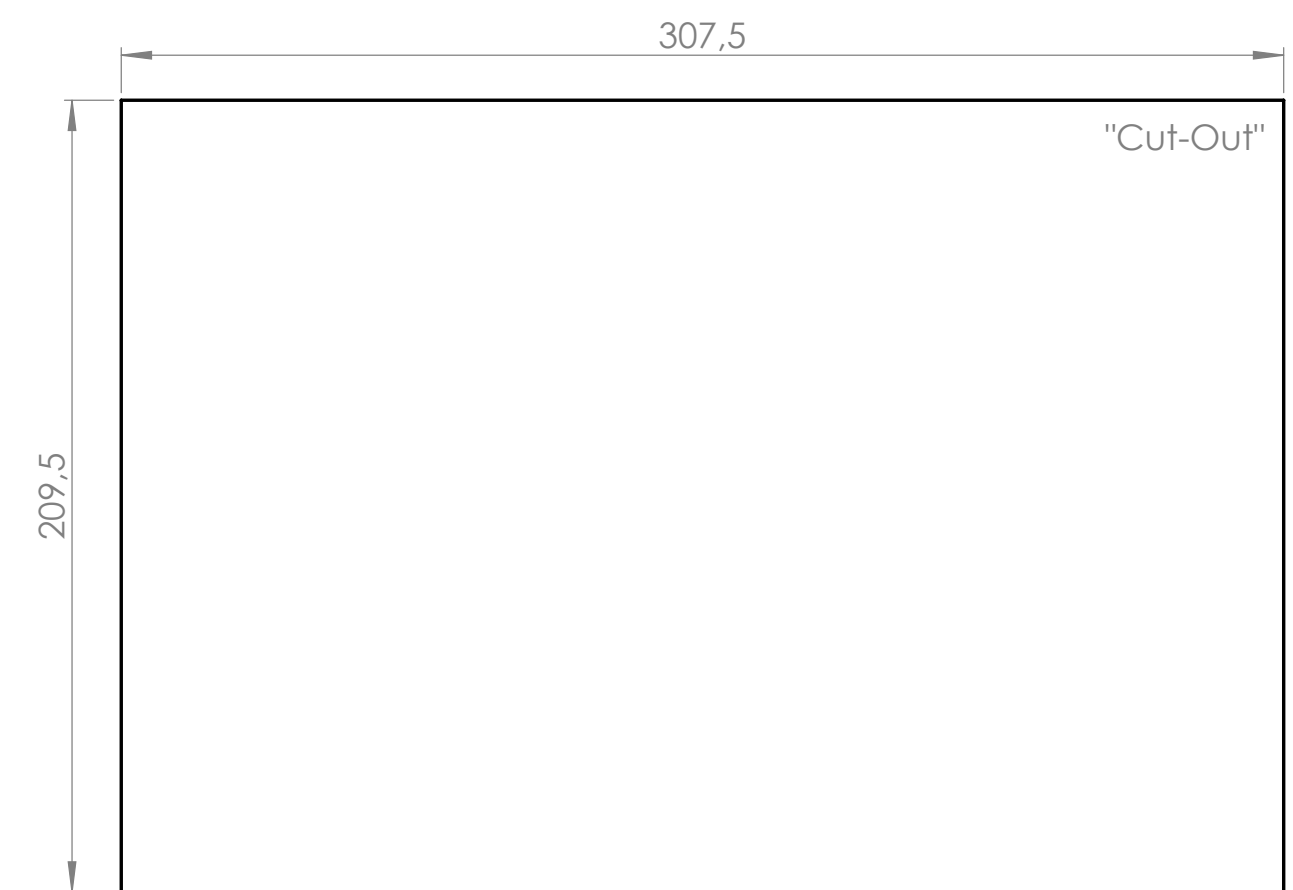
BOTTOM VIEW



REAR VIEW



SIDE VIEW



General tolerances DIN ISO 2768-mK		Drawn by: PL	Material: Raw material:
Document type: general arrangement drawing		Proved by: CH	Surface treatment:
		Release date: 2021-06-11	Scale: 1:2
			Touch-it Front Panel glass 12,1
Rev.	Date		Name
			Page: 1/1
			A2

PA10006147

Christ  
ELECTRONIC SYSTEMS

Proprietary notice ISO 16016 to be considered