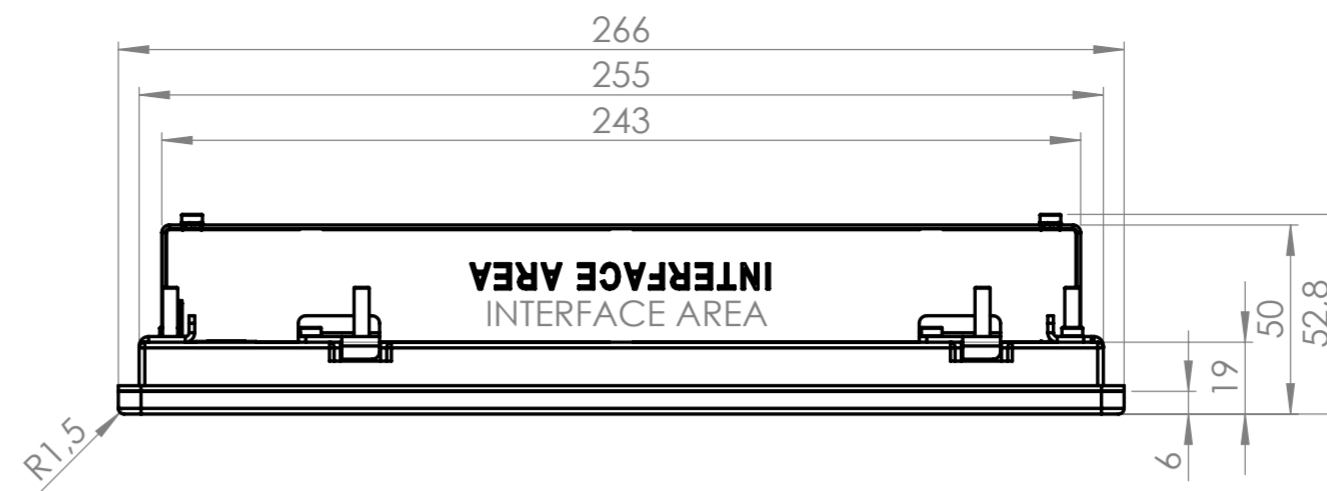
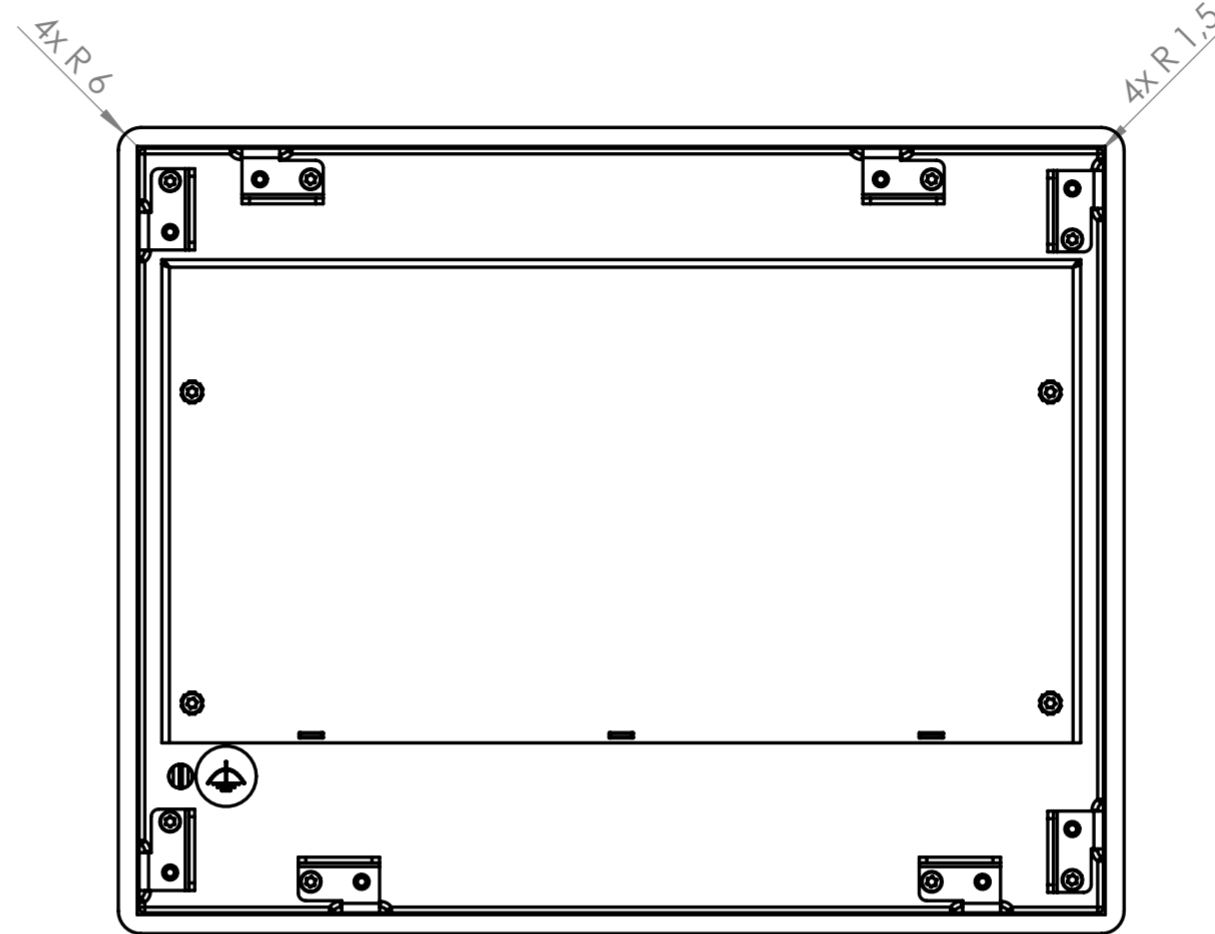


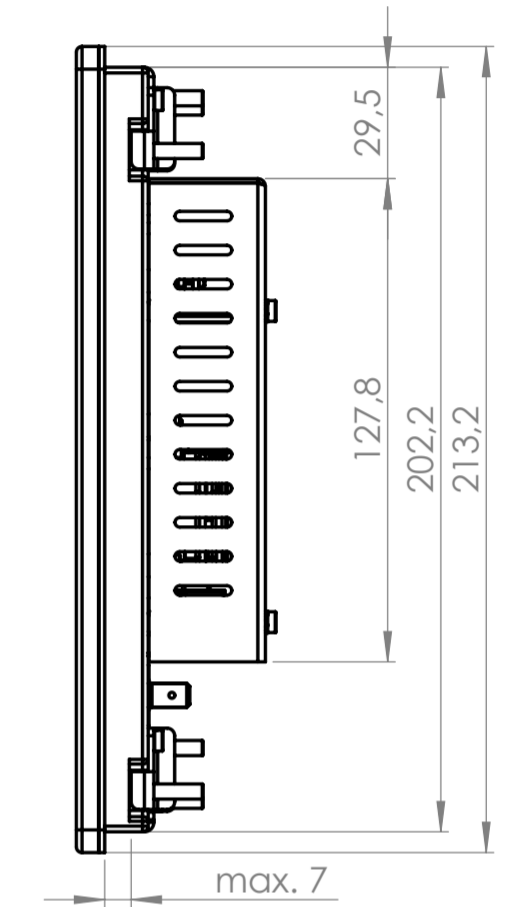
FRONT VIEW



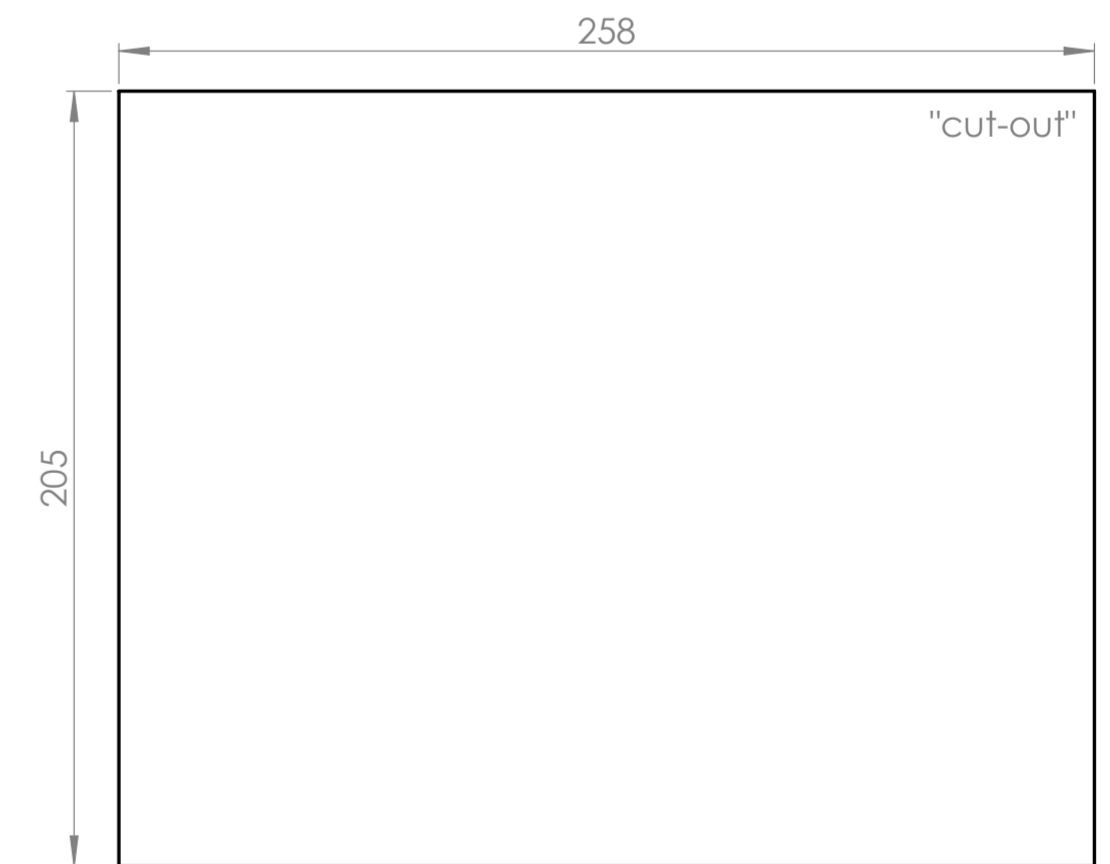
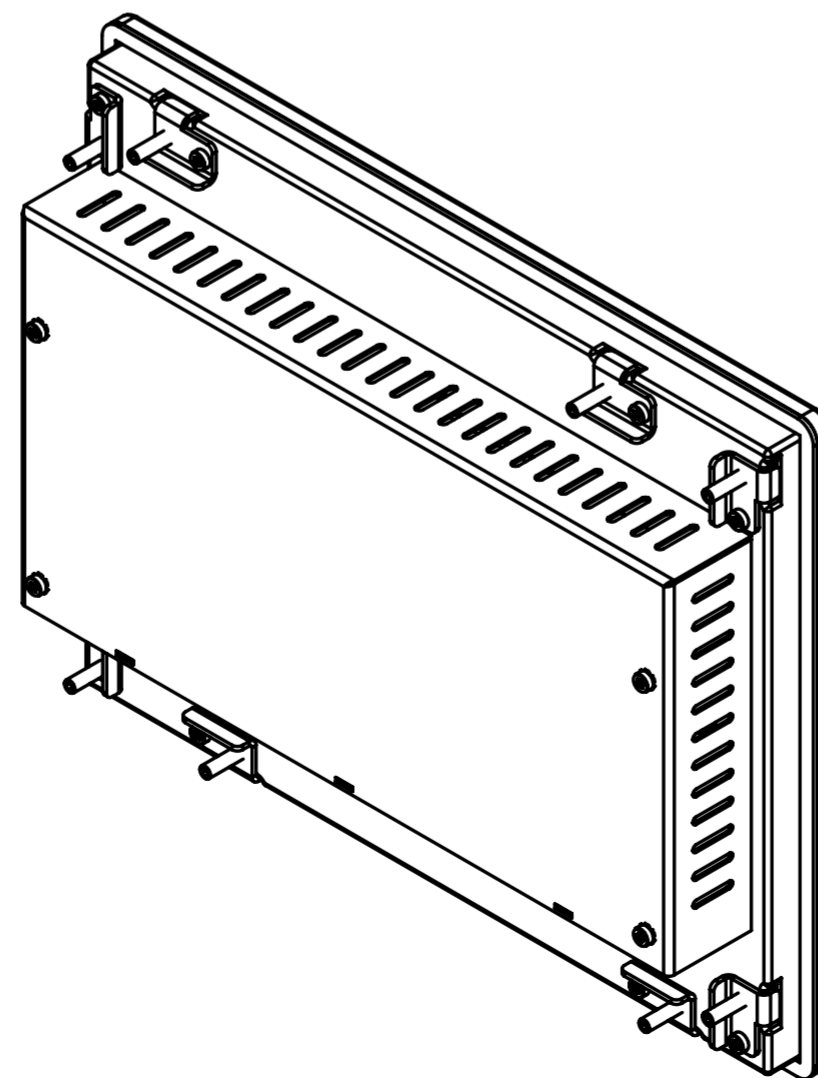
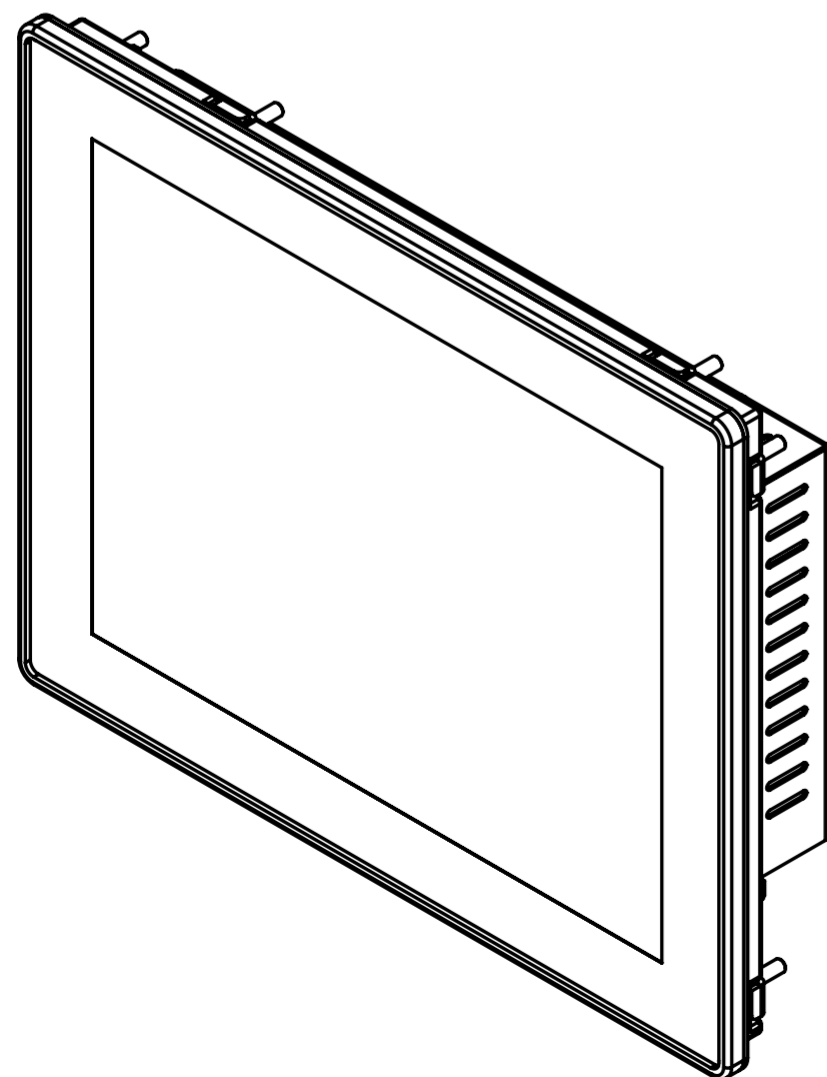
BOTTOM VIEW



REAR VIEW



SIDE VIEW



General tolerances DIN ISO 2768-mK		Drawn by: PL	Material: Raw material:	Scale: 1:2
Document type: general arrangement drawing		Proved by: CH	Surface treatment:	
		Release date: 2021-06-14	Touch-it Front Panel glass 10,4 Übersichtszeichnung	
Rev.	Date	Name	PA10006146	
			Page: 1/1	
			A2	



Proprietary notice ISO 16016 to be considered