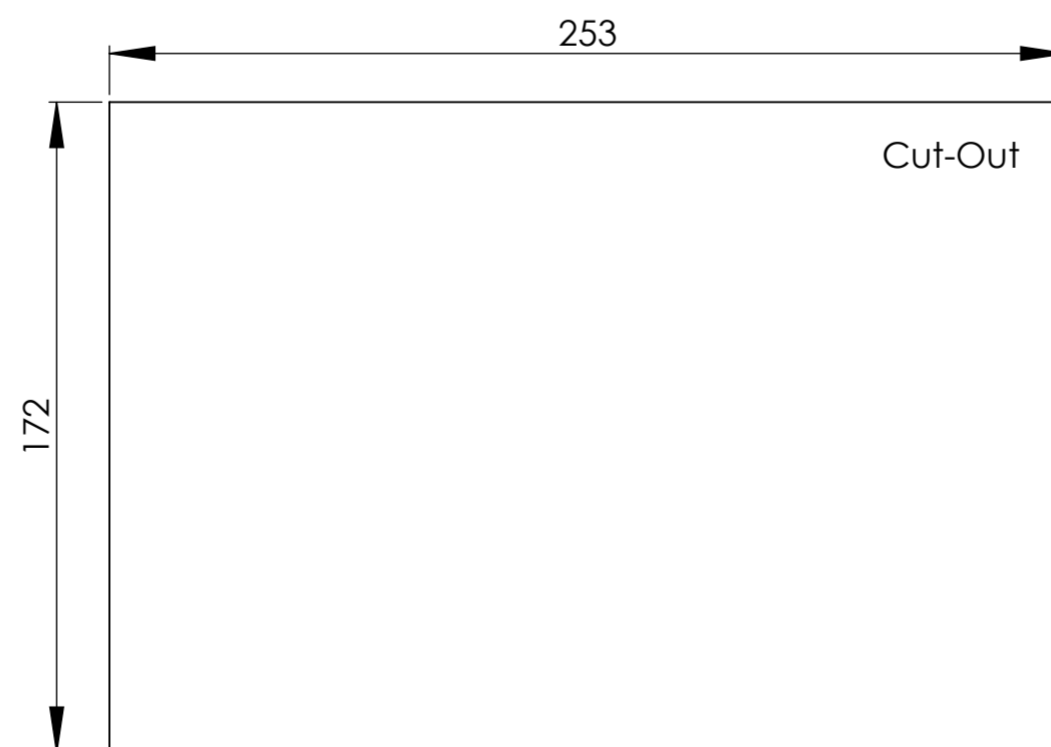
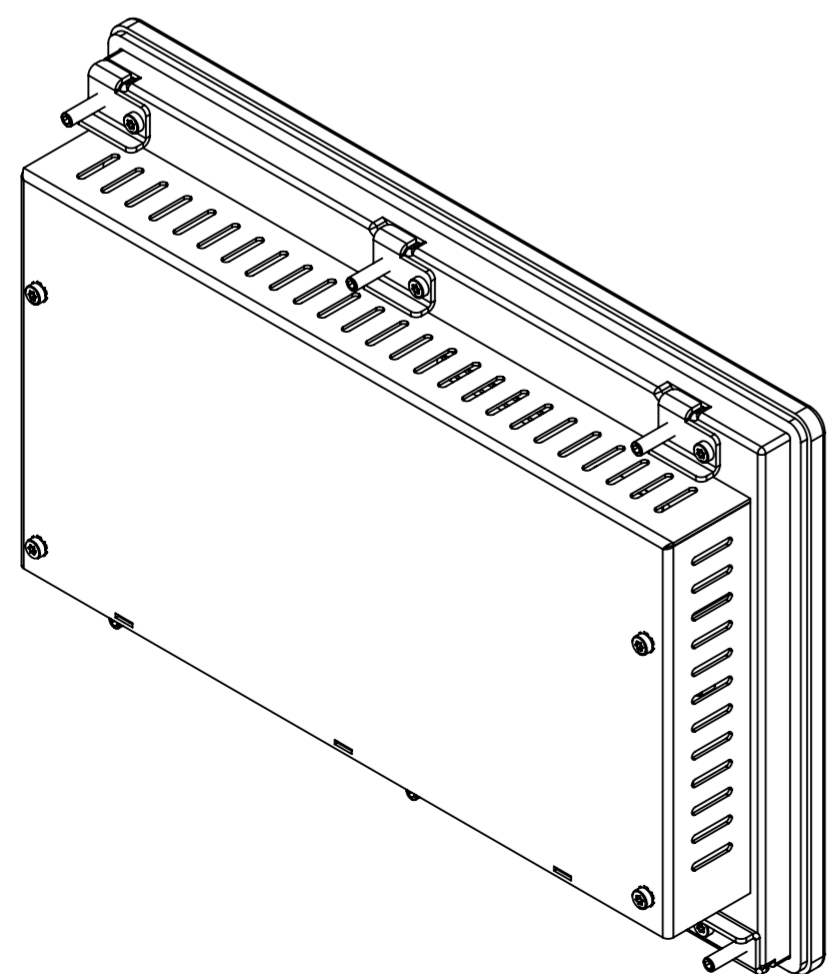


FRONT VIEW

REAR VIEW

SIDE VIEW



General tolerances DIN ISO 2768-mK	Drawn by: PL	Material: Raw material:	Scale: 1:2
Document type: general arrangement drawing	Proved by: PL	Surface treatment	
	Release date: 2020-07-08	Touch-it Front Panel glass 10,1 Übersichtszeichnung	
Rev	Date	Name	Sheet: 1/1 A2
			PA10006145
Proprietary notice ISO 16016 to be considered			



PA10006145