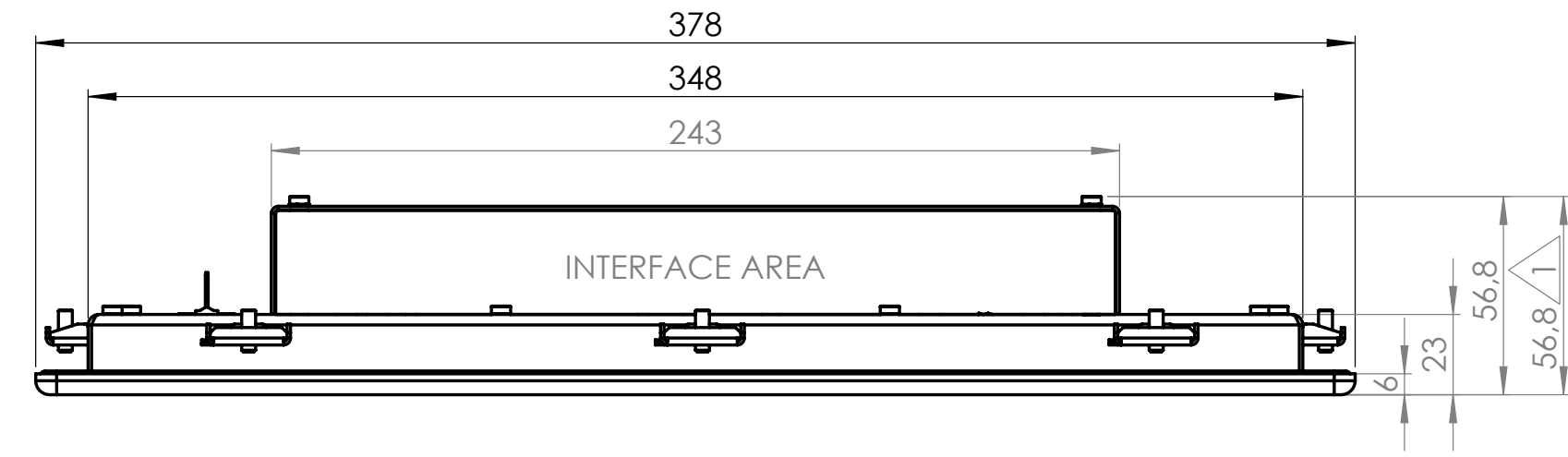
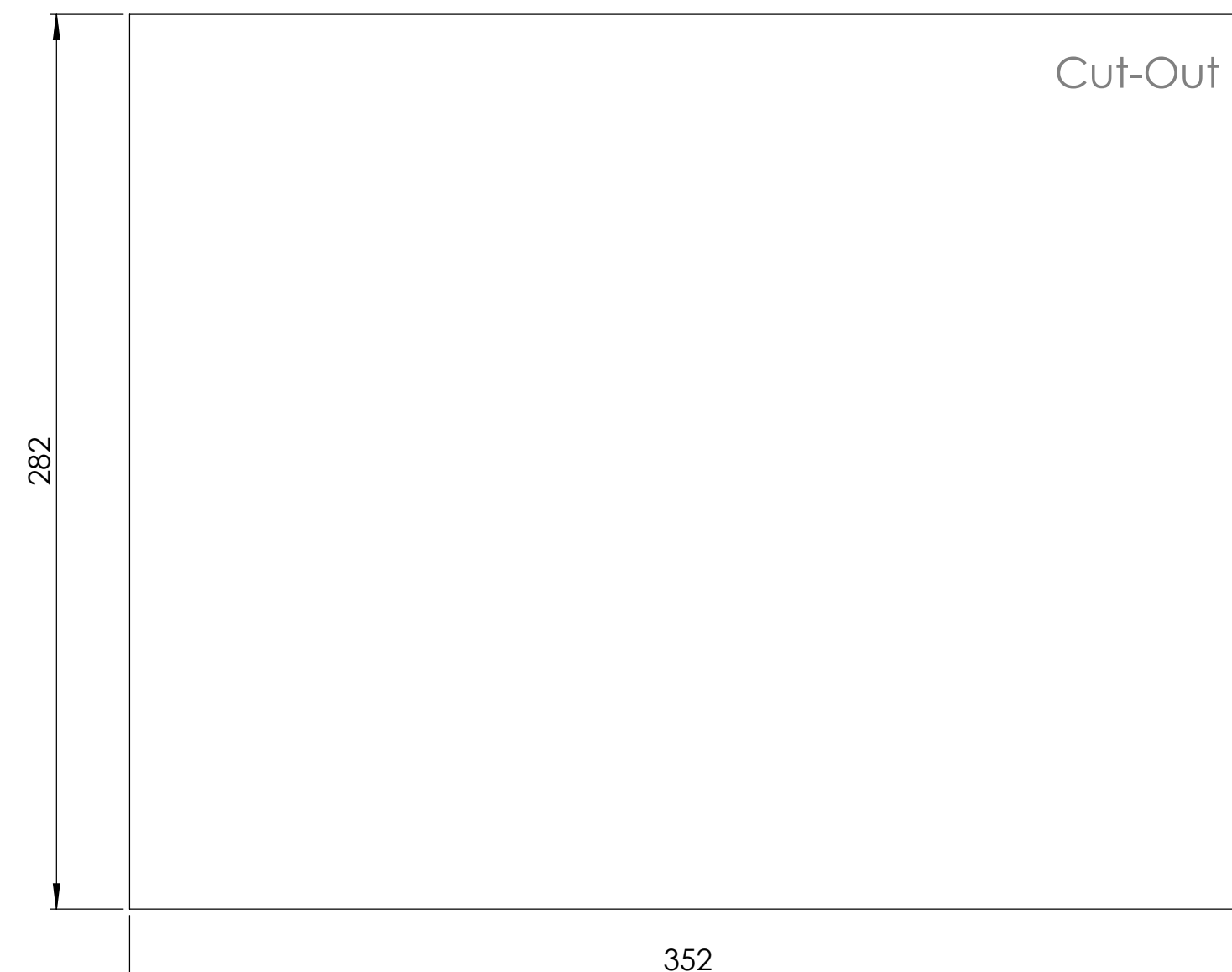
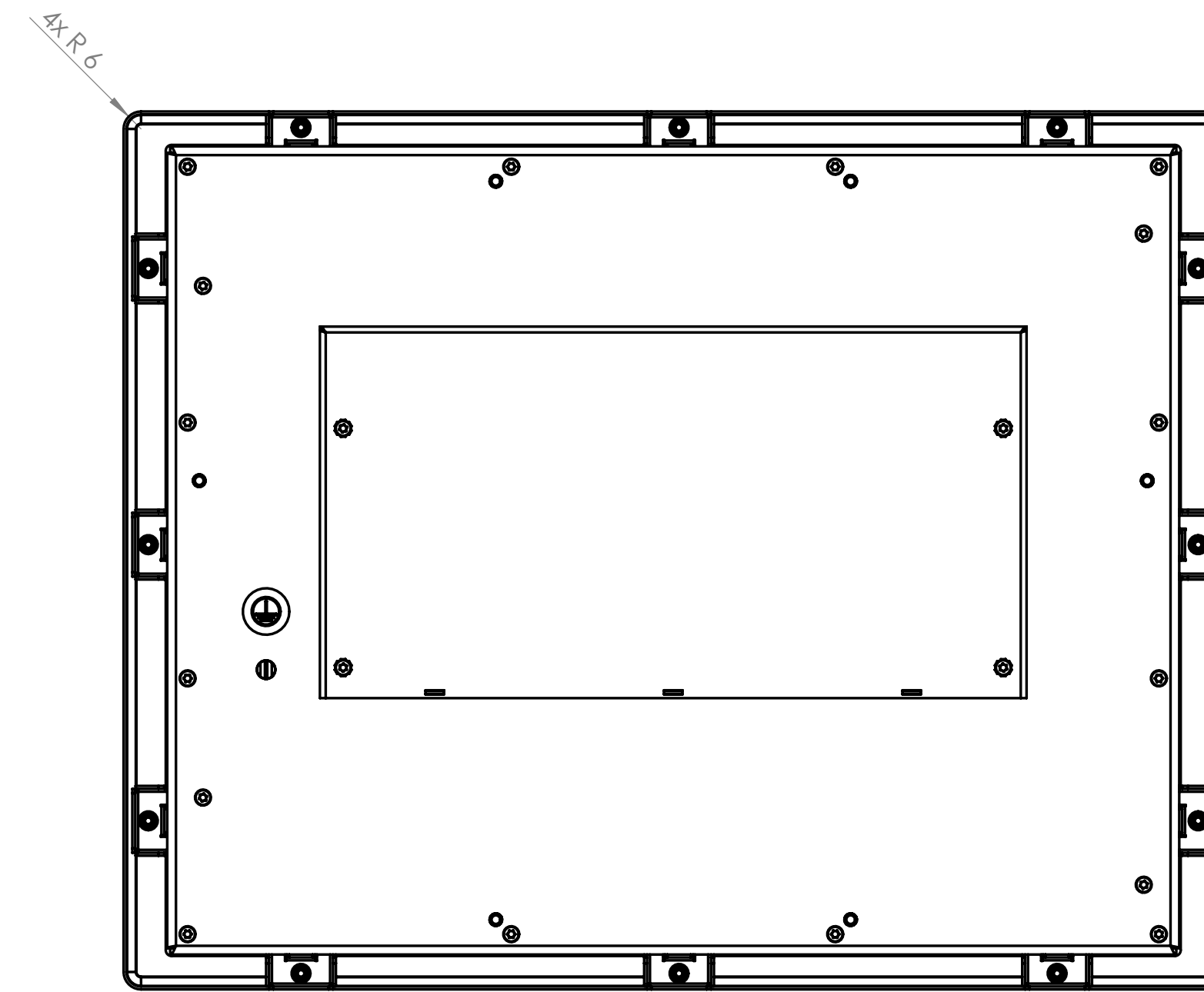


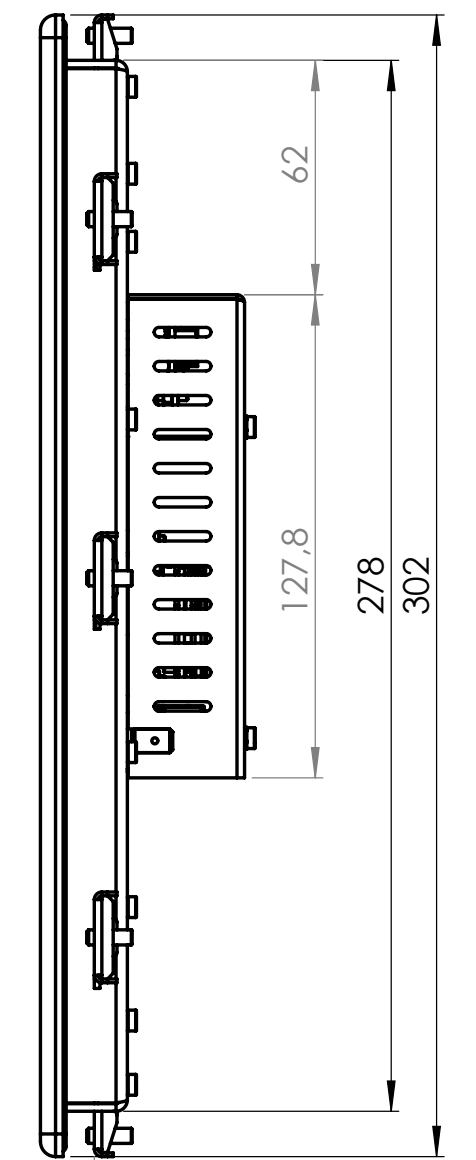
FRONT VIEW



BOTTOM VIEW



BACK VIEW



SIDE VIEW

General tolerances DIN ISO 2768-mK	Drawn by: <b>PL</b>	Material: Raw material:	Scale: 1:2
Document type: general arrangement drawing	Proved by: <b>PL</b>	Surface treatment	
	Release date: 2020-07-06	Touch-it Front Panel 15 Übersichtszeichnung	
		<b>Christ</b> ELECTRONIC SYSTEMS	Sheet: 1/1 A1
Rev	Date	Name	PA10006144

Proprietary notice ISO 16016 to be considered