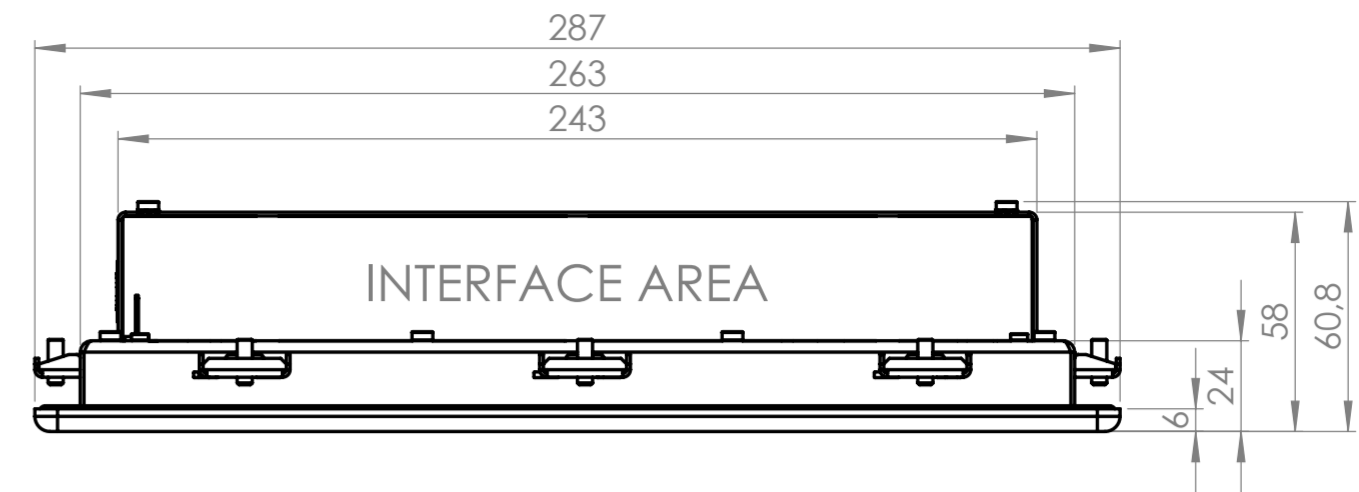
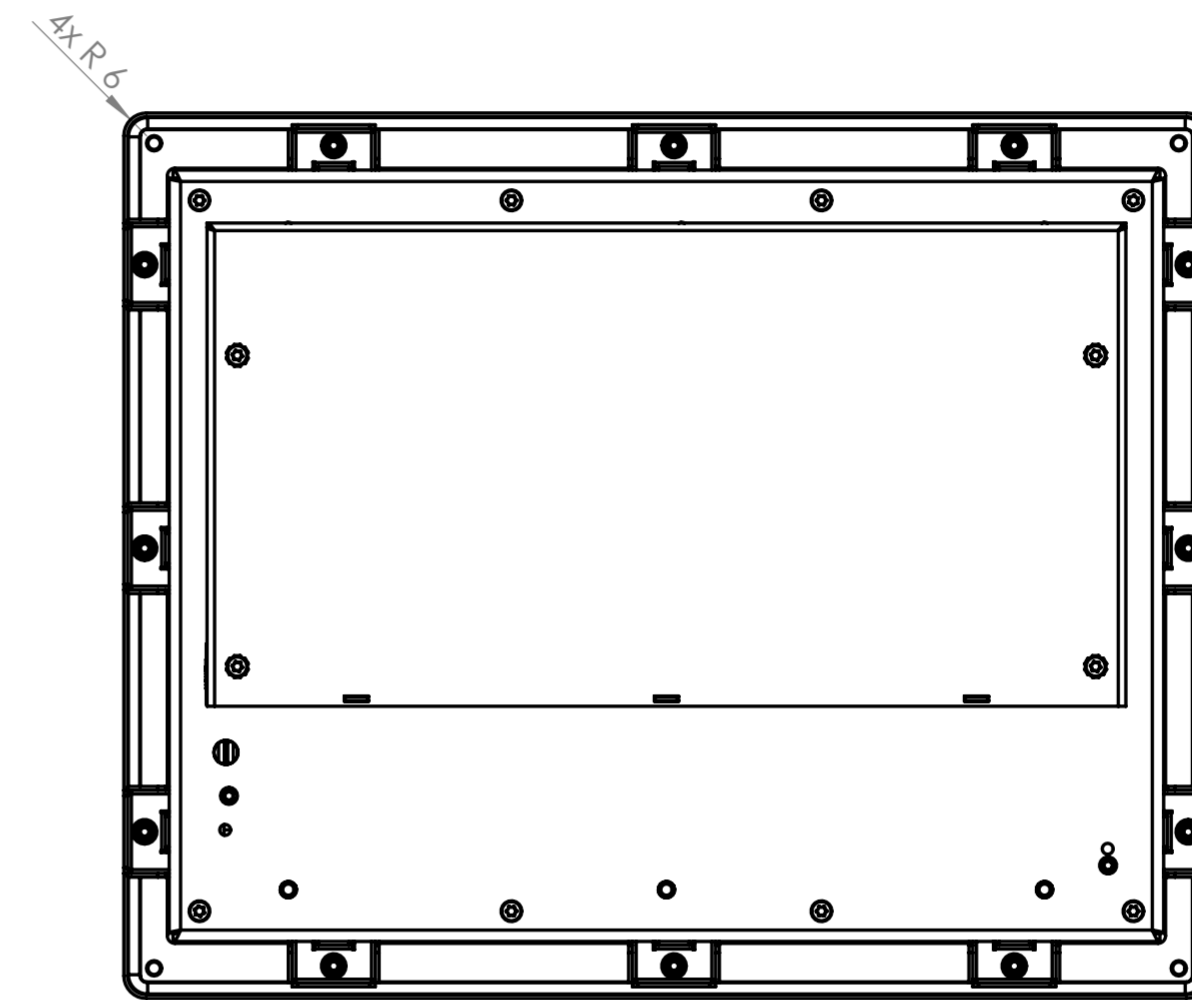


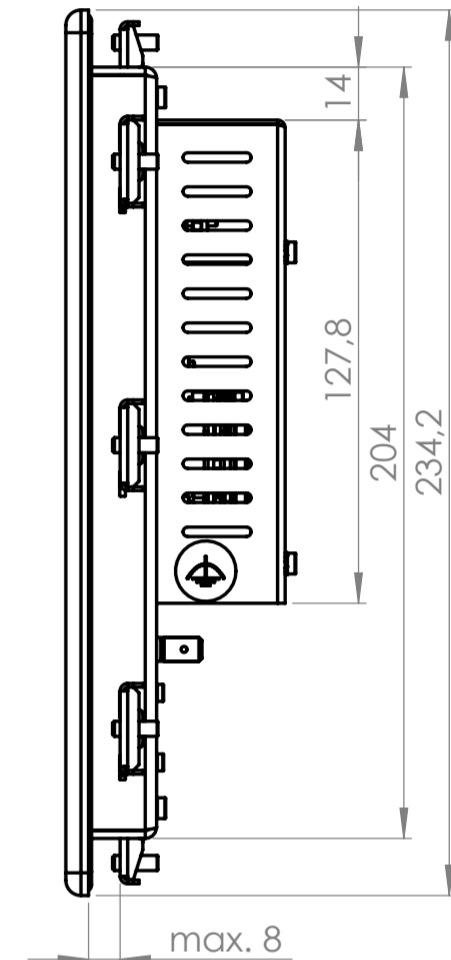
FRONT VIEW



BOTTOM VIEW



REAR VIEW



SIDE VIEW

Drawing for illustration of mechanical measurements only. Shown interfaces are subject to product configuration. For more details see datasheet.

General tolerances DIN ISO 2768-mK		Drawn by: PL	Material: Raw material:
Document type: general arrangement drawing		Proved by: PL	Surface treatment:
		Release date: 2020-07-01	Scale: 1:2
			Touch-it Front Panel 10,4 Übersichtszeichnung
Rev.	Date		
			PA10006143 Proprietary notice ISO 16016 to be considered