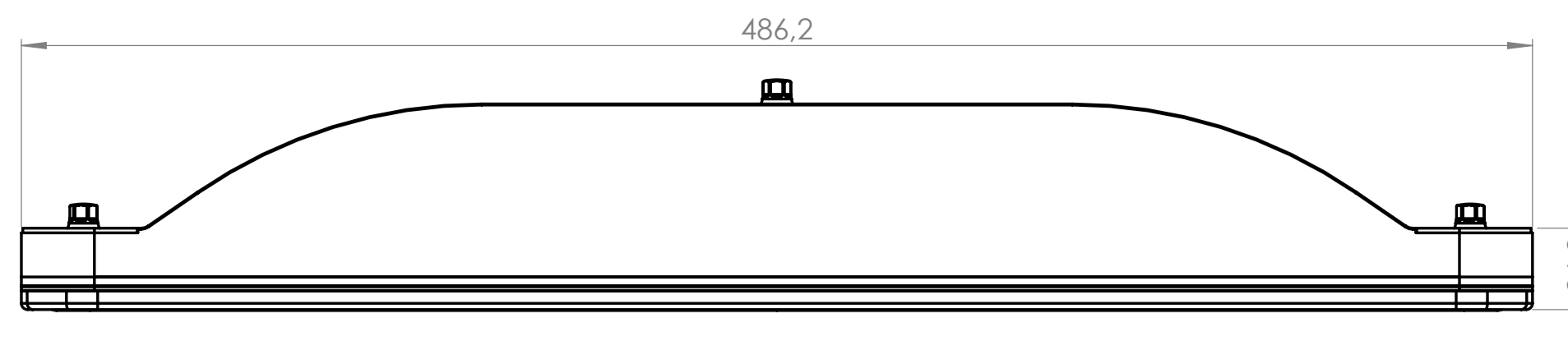
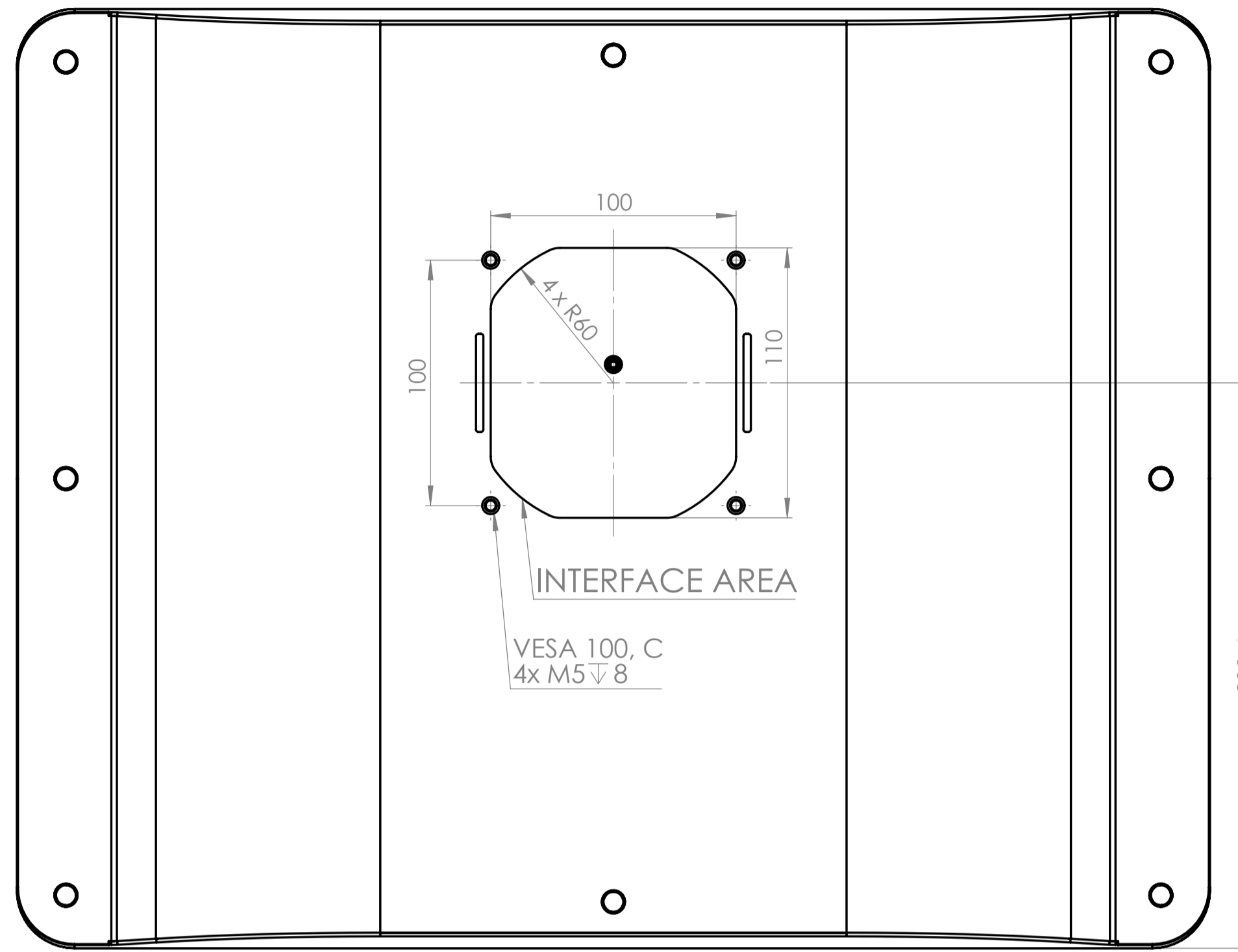


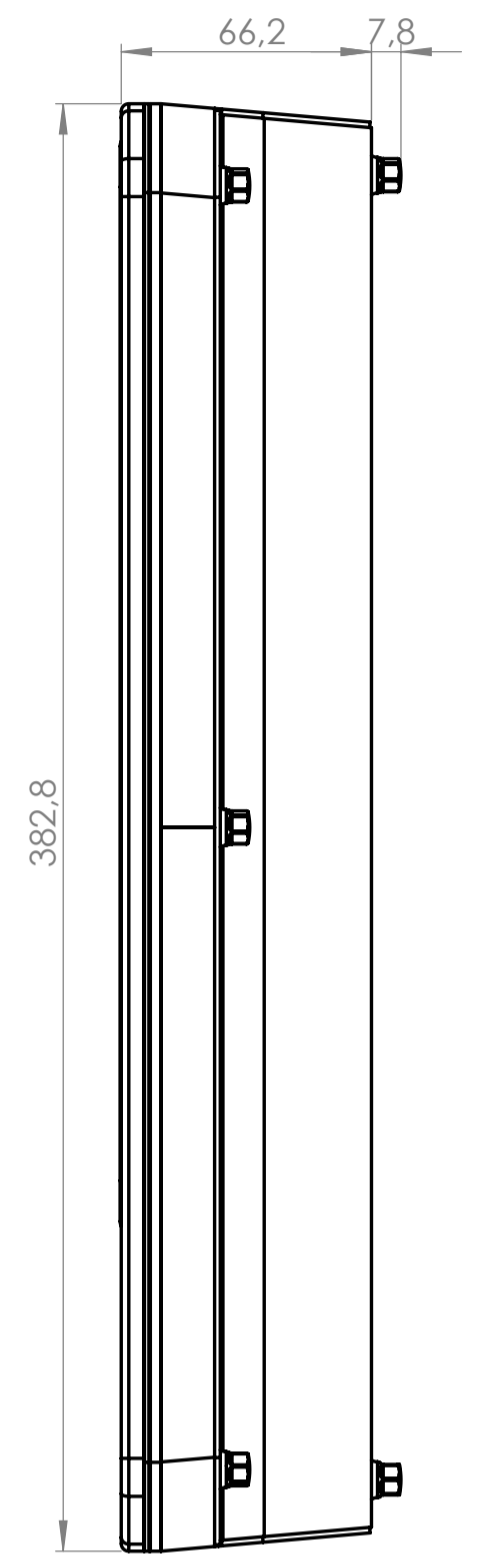
FRONT VIEW



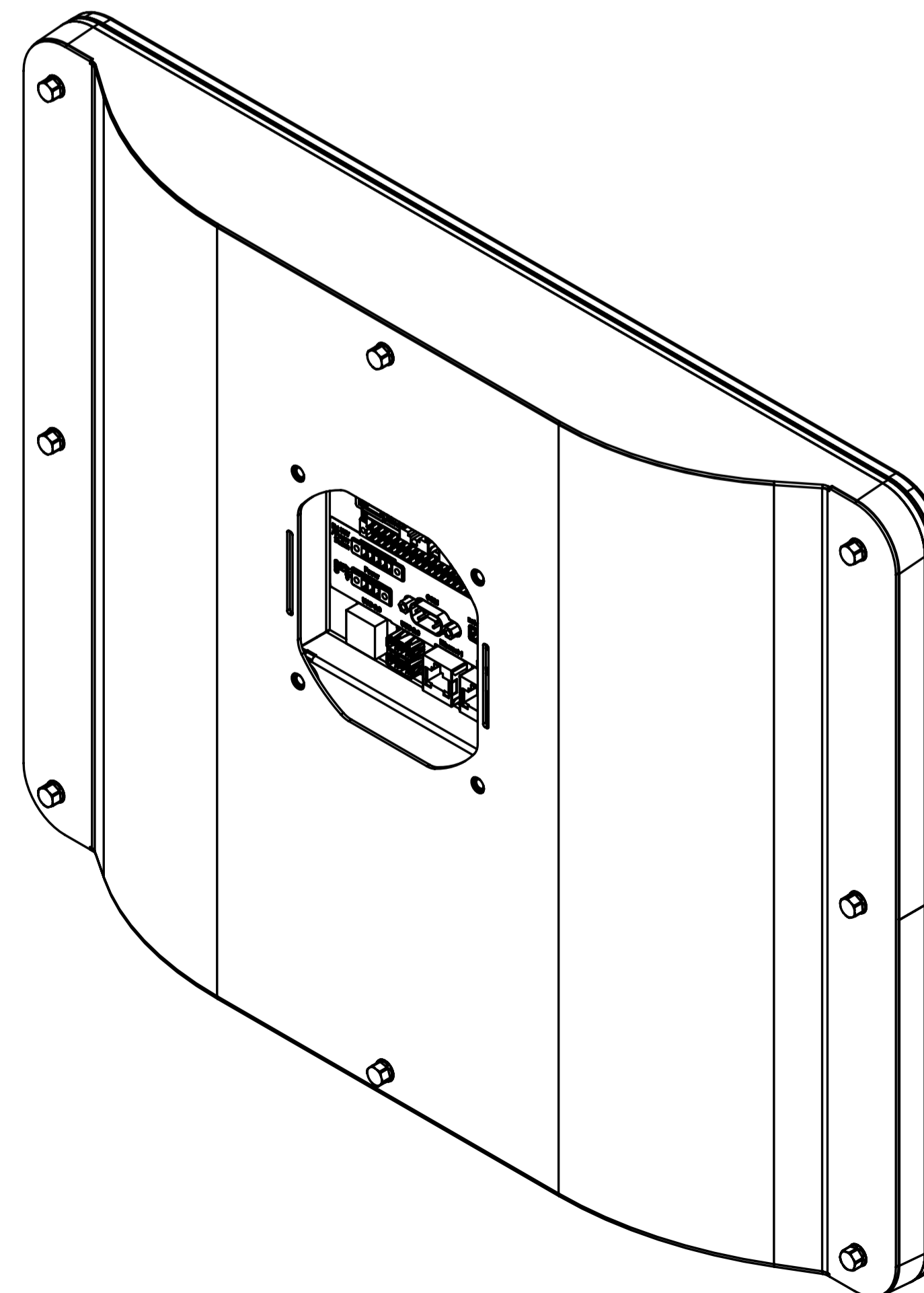
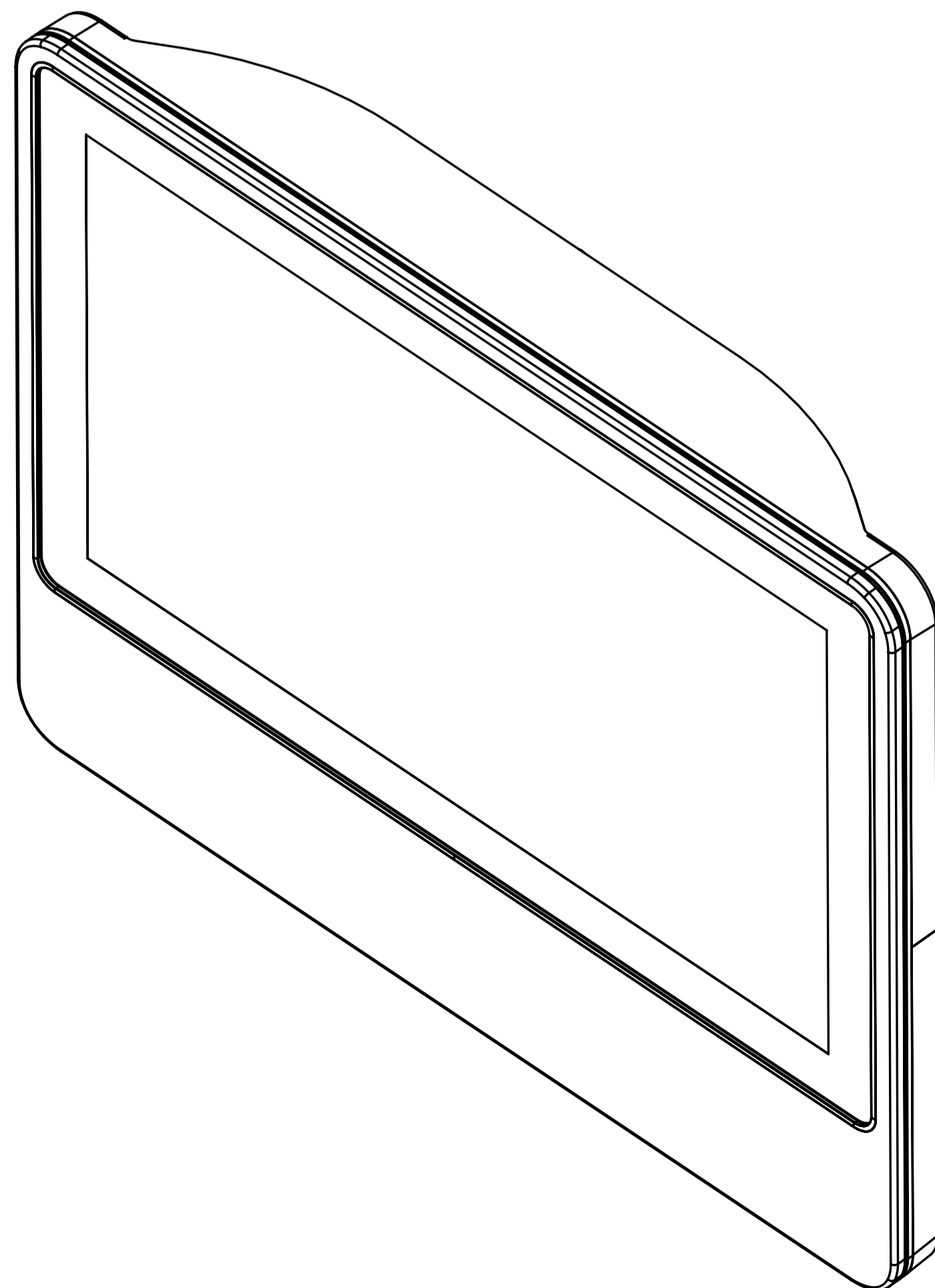
BOTTOM VIEW



REAR VIEW



SIDE VIEW



Drawing for illustration of mechanical measurements only. For more details see datasheet.

General tolerances DIN ISO 2768-mK	Drawn by: PL	Material: Raw material:	Scale: 1:2
Document type: general arrangement drawing	Provided by: PL	Surface treatment:	
	Release date: 2020-08-25	Touch-it Automation glass Hygienic 18,5	
		PA10006142	
Rev.	Date	Name	Page: 1/1 A1



Proprietary notice ISO 16016 to be considered