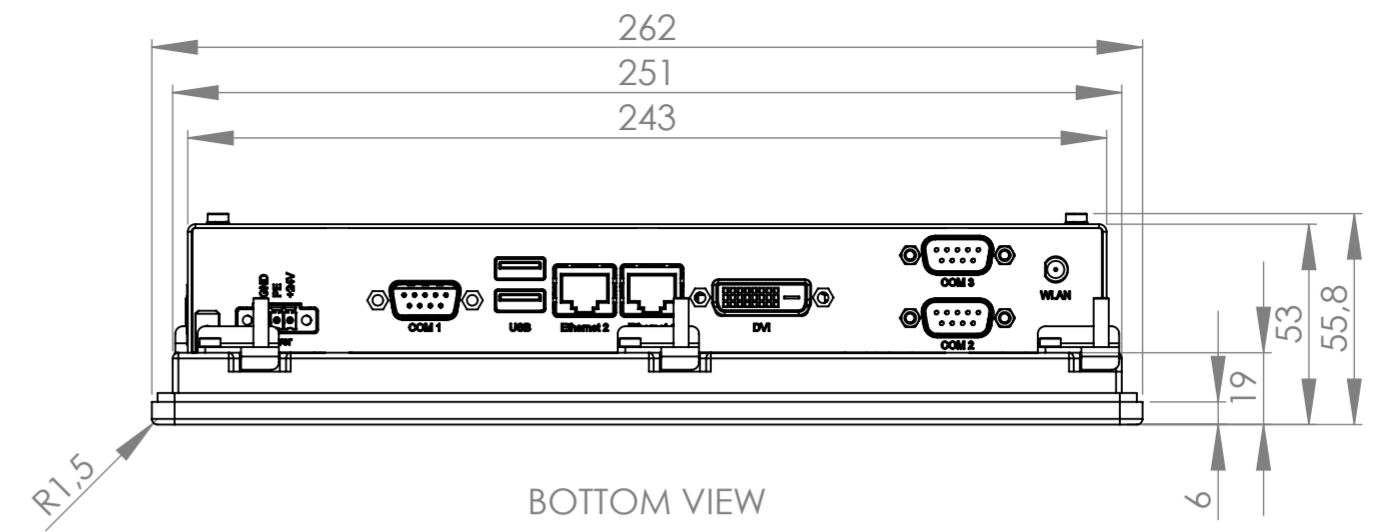
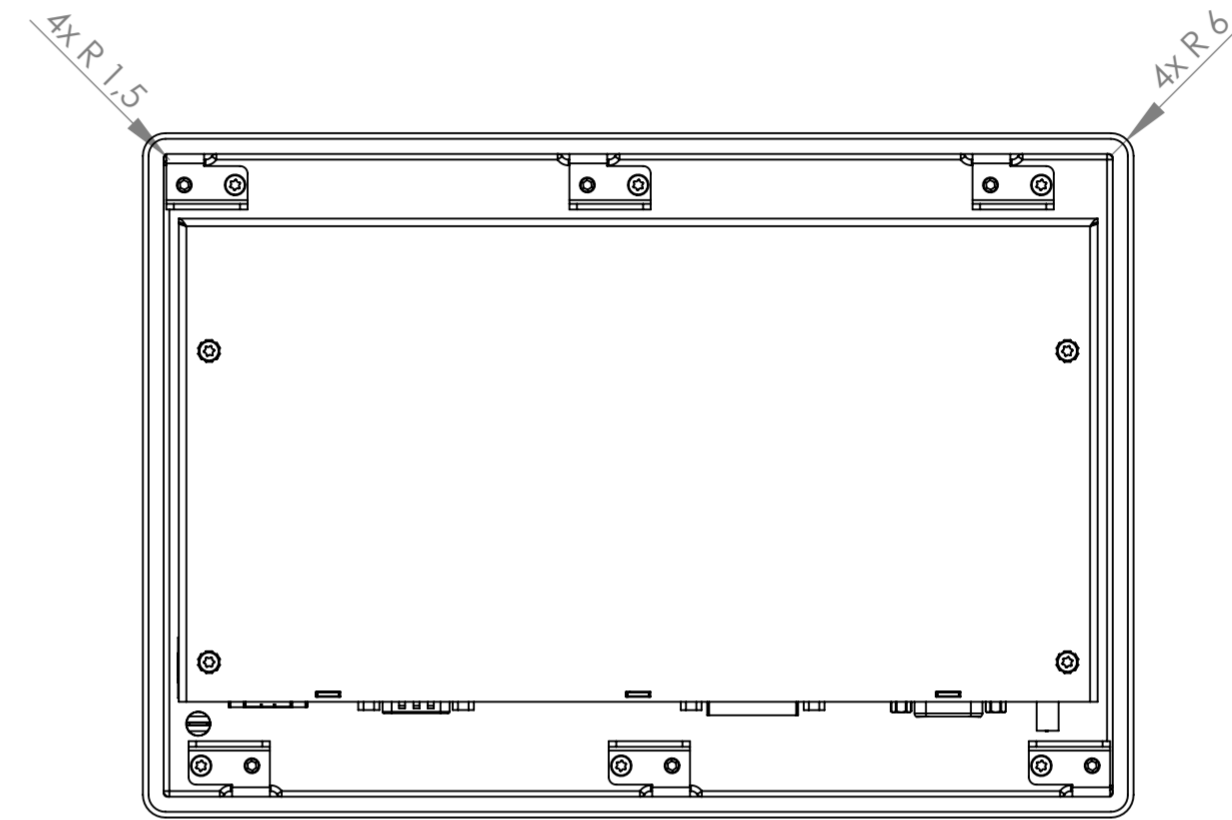


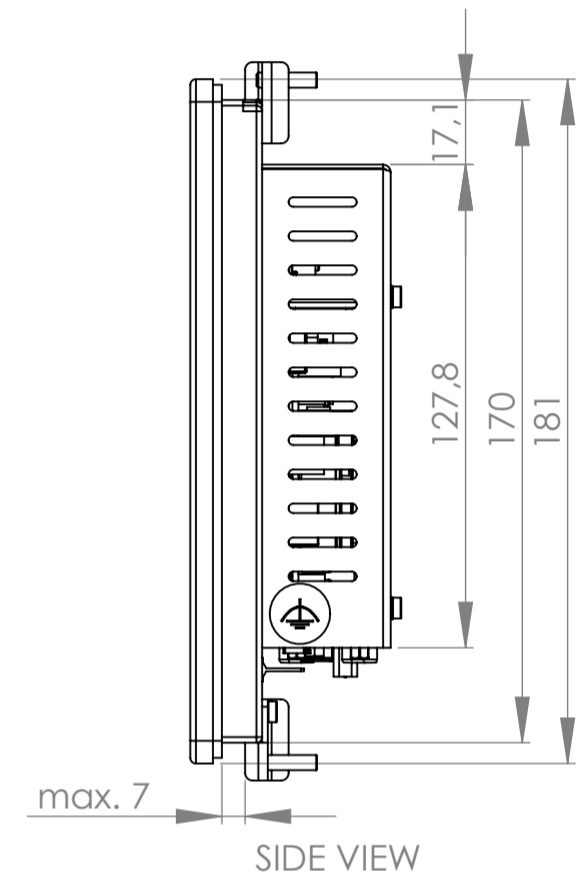
FRONT VIEW



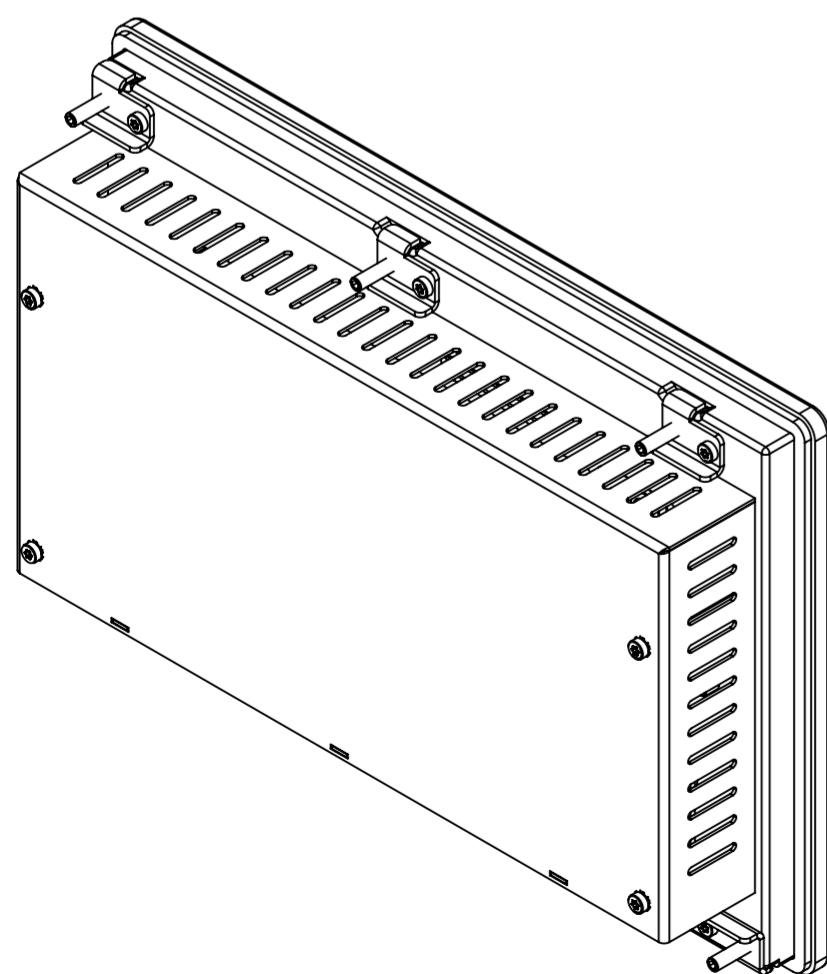
BOTTOM VIEW



REAR VIEW



SIDE VIEW



General tolerances DIN ISO 2768-mK	Drawn by: JT	Material: Raw material:	Scale: 1:2
Document type: general arrangement drawing	Proved by: AH	Surface treatment	
	Release date: 1.7.2019	Touch-it XELO Front Panel glass 10,1	
Rev	Date	Name	Sheet: 1/1 A2
			PA10004602
<small>Proprietary notice ISO 16016 to be considered</small>			