

# Touch-it Automation glass

## Product Information

- Made in Germany
- Multitouch
- Aluminium Silver Housing
- Ultra Compact Design, Fanless



## Contents

<b>Contents</b> .....	1
<b>1 Panel</b> .....	1
<b>2 System</b> .....	2
<b>2.1 Touch-it Monitor / SMART Monitor</b> .....	2
<b>2.2 Touch-it XELO Automation</b> .....	2
<b>3 Power Supply</b> .....	2
<b>4 Mechanical &amp; Environmental</b> .....	3
<b>5 Dimensions</b> .....	3
<b>5.1 Dimensions 15,6"</b> .....	3
<b>5.2 Dimensions 18,5"</b> .....	4
<b>5.3 Dimensions 21,5"</b> .....	5
<b>5.4 Dimensions 23,8"</b> .....	6

## 1 Panel

	15.6 inch (39.6 cm)		18.5 inch (47.0 cm)	
LCD Size	15.6 inch (39.6 cm)		18.5 inch (47.0 cm)	
Resolution	1366 x 768	1920 x 1080	1366 x 768	1920 x 1080
Aspect Ratio	16 : 9		16 : 9	
Backlight Life Time	50,000 h	70,000 h	50,000 h	
Luminance*	400 cd/m <sup>2</sup>		300 cd/m <sup>2</sup>	350 cd/m <sup>2</sup>

	21.5 inch (54.6 cm)		23.8 inch (60.5 cm)	
LCD Size	21.5 inch (54.6 cm)		23.8 inch (60.5 cm)	
Resolution	1920 x 1080		1920 x 1080	
Aspect Ratio	16 : 9		16 : 9	
Backlight Life Time	30,000 h	50,000 h	30,000 h	
Luminance*	250 cd/m <sup>2</sup>	300 cd/m <sup>2</sup>	250 cd/m <sup>2</sup>	

\* The values are referring to the displays only.

<b>Touch</b>	Projected Capacitive Touch, Anti-Glare (optional), Multitouch
--------------	---

# Touch-it Automation glass

## Product Information

### 2 System

#### 2.1 Touch-it Monitor / SMART Monitor

	Monitor	SMART Monitor
Graphic	Up to 7 m	Up to 100 m
Interfaces	USB 2.0 (Type A, B) / Ethernet (only SMART Monitor) / HDMI (only Monitor) / DVI (only Monitor) / EtherCAT® / Profinet	
Extensions	RFID / USB 2.0 / Emergency Stop / 6 x Individual Selectable Buttons / Switches / LEDs (only 15,6") 8 x Individual Selectable Buttons / Switches / LEDs	

#### 2.2 Touch-it XELO Automation

CPU	AMD® GX-415GA Quad Core™ 1.5 GHz 64 Bit, 2 MB Cache	Intel® Core™ i5- 5350U Dual Core 1.8 GHz 64 Bit, 3 MB Cache	Intel® Core™ i5-7300U Dual Core 2.6 GHz 64 Bit, 4 MB Cache
Memory	4 GB DDR3L / 8 GB DDR3L / 16 GB DDR3L (i5 only)		4 GB DDR4L / 8 GB DDR4L / 16 GB DDR4L / 32 GB DDR4L
Storage	32 / 64 / 128 / 256 / 512 GB MLC SSD / up to 1 TB HDD		
Operating System	Windows / Linux		
Interfaces	USB 2.0 (Type A) / USB 3.0 (Type A) / Ethernet / RS-232 / RS-485 / DVI (only GX-415 and i5-5350U) / Display Port (only i5-7300U) / Headphone Connector / WLAN		

CPU	Intel® Core Celeron N3350 Dual Core (1.1/2.4 GHz)	Intel® Core Celeron 3965U 2.2 GHz
Memory	4 GB DDR3L / 8 GB DDR3L SO-DIMM	4 GB DDR4 / 8 GB DDR4 / 16 GB DDR4 / 32 GB DDR4-2133 SO-DIMM
Storage	32 / 64 / 128 / 256 GB MLC SSD	
Operating System	Windows / Linux	
Interfaces	USB 3.0 (Type A) / Ethernet / RS-232 / RS-485 / HDMI / Display Port / WLAN (only Celeron 3965U)	

### 3 Power Supply

Supply Voltage	24 VDC ± 20 %
Power Connector	Phoenix 3-pol MC 1,5/ 3-STF-3,5 BK (screwable) / Phoenix 3-pol MC 1,5/ 3-ST-3,5 BK

# Touch-it Automation glass

## Product Information

### 4 Mechanical & Environmental

Mounting	VESA MIS-D, 100, C
Cooling	Passive
Operating Temperature	0 ~ 50 °C
Storage Temperature	-10 ~ 70 °C
Humidity	5 ~ 80% (non condensing)
Protection Class	IP65
Certification	CE, EN55032 Class A, EN55024

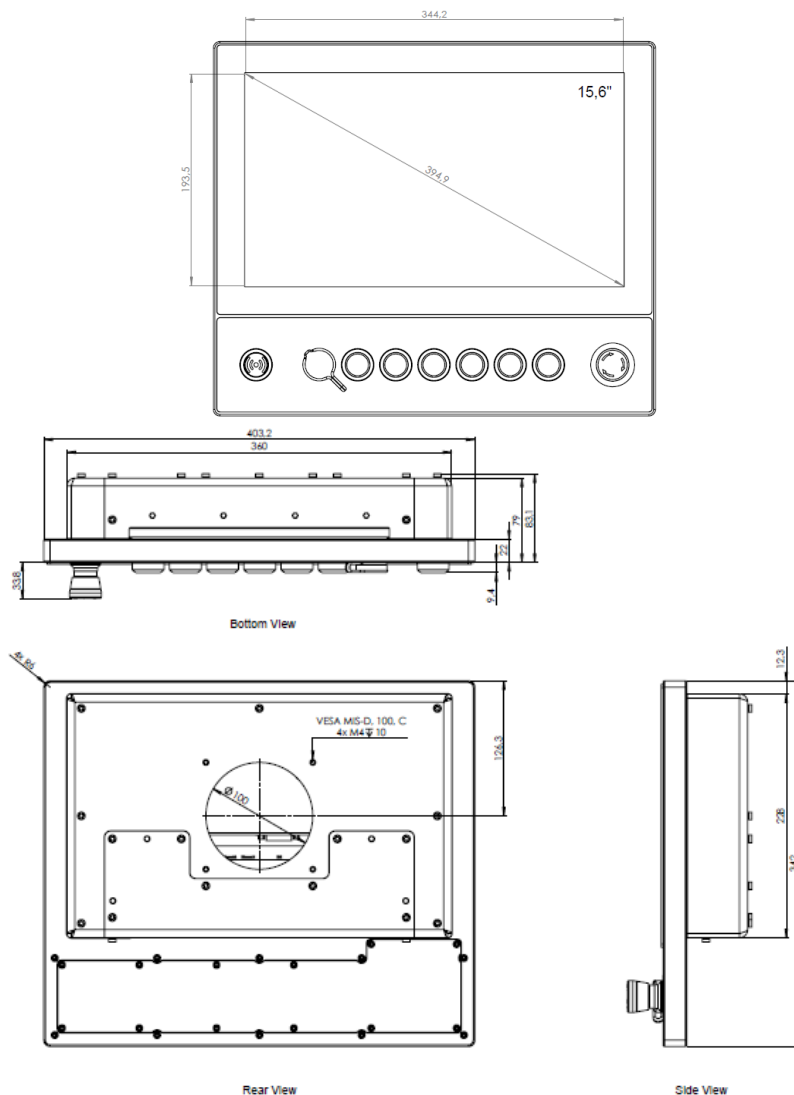
Never cover the device completely or build it in a small closed and unvented housing.

### 5 Dimensions

The following values of the dimensions are only examples.

#### 5.1 Dimensions 15,6"

Dimensions	403.2 mm x 342.0 mm x 116.9 mm
------------	--------------------------------

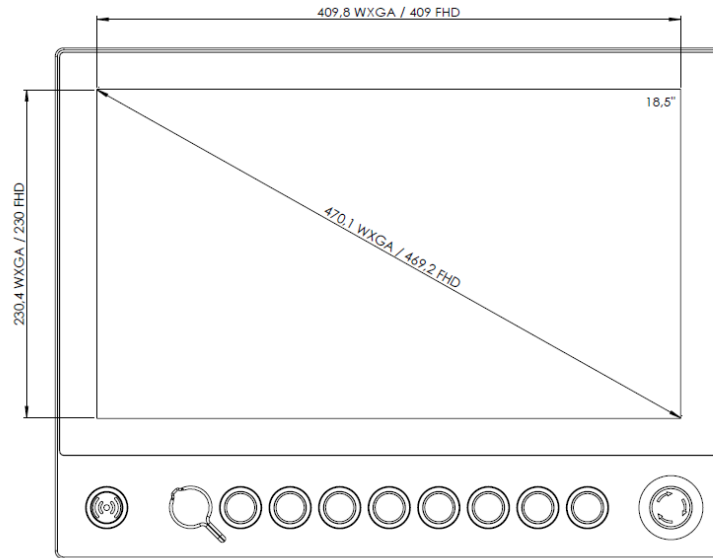


# Touch-it Automation glass

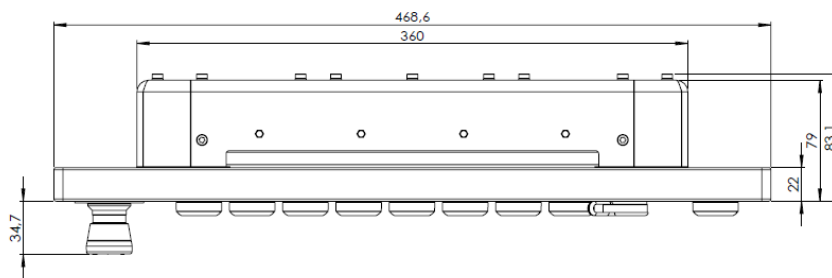
## Product Information

### 5.2 Dimensions 18,5"

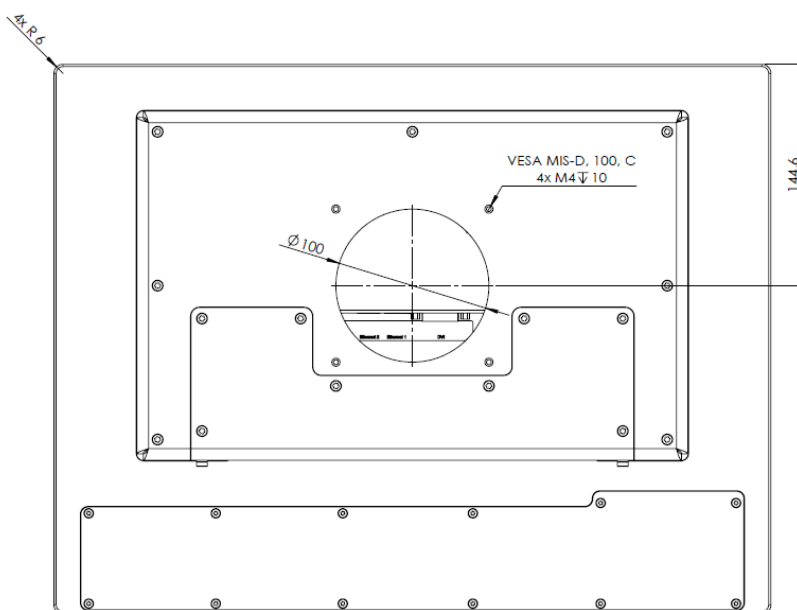
<b>Dimensions</b>	468.6 mm x 359.0 mm x 117.8 mm
-------------------	--------------------------------



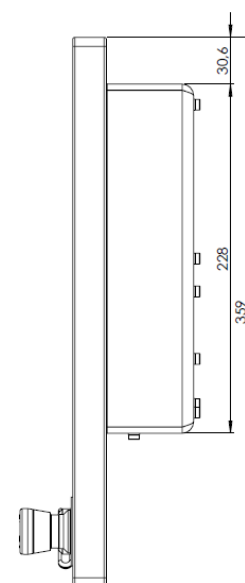
Front View



Bottom View



Back View



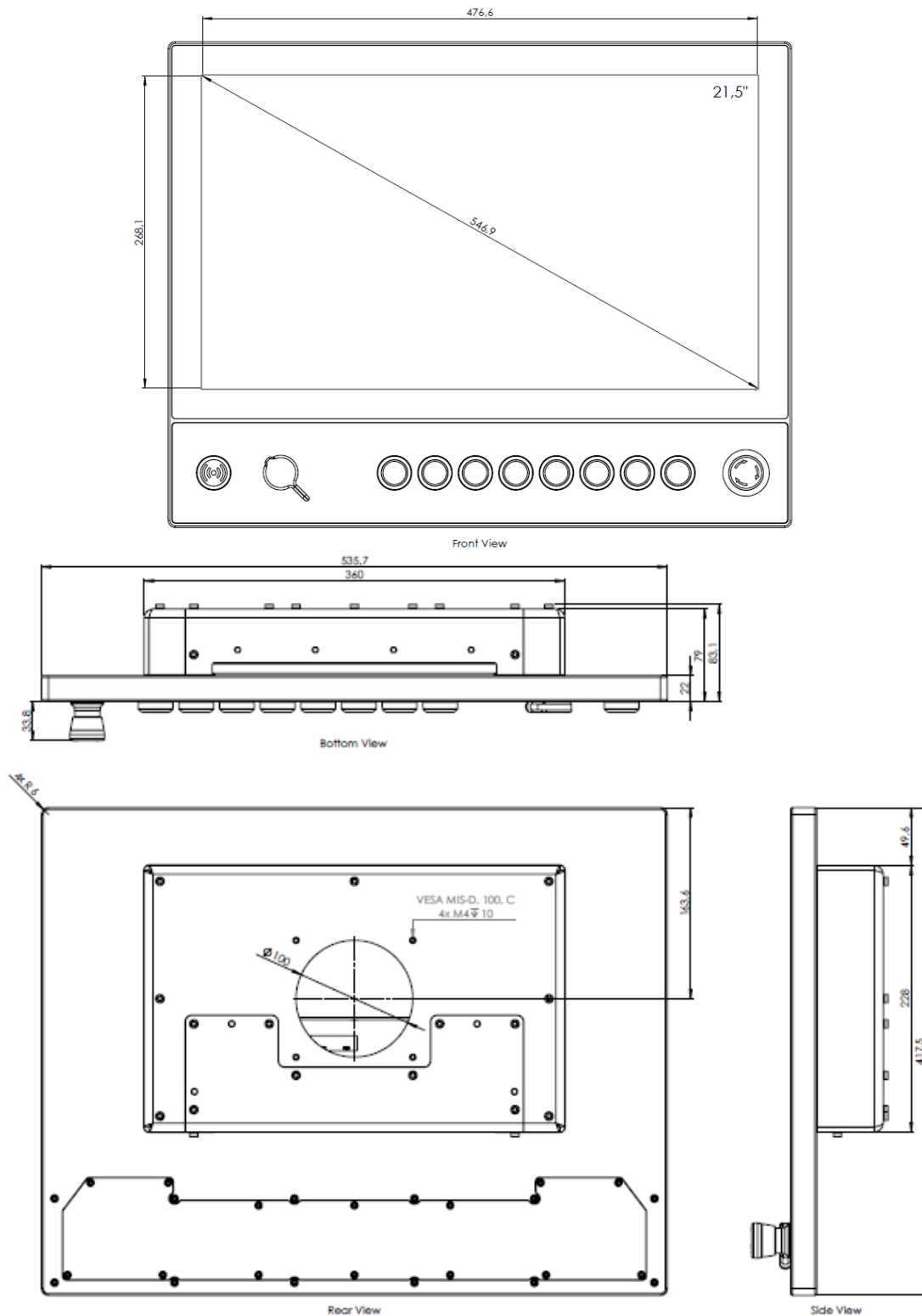
Side View

# Touch-it Automation glass

## Product Information

### 5.3 Dimensions 21,5"

Dimensions	535.7 mm x 417.5 mm x 116.9 mm
------------	--------------------------------

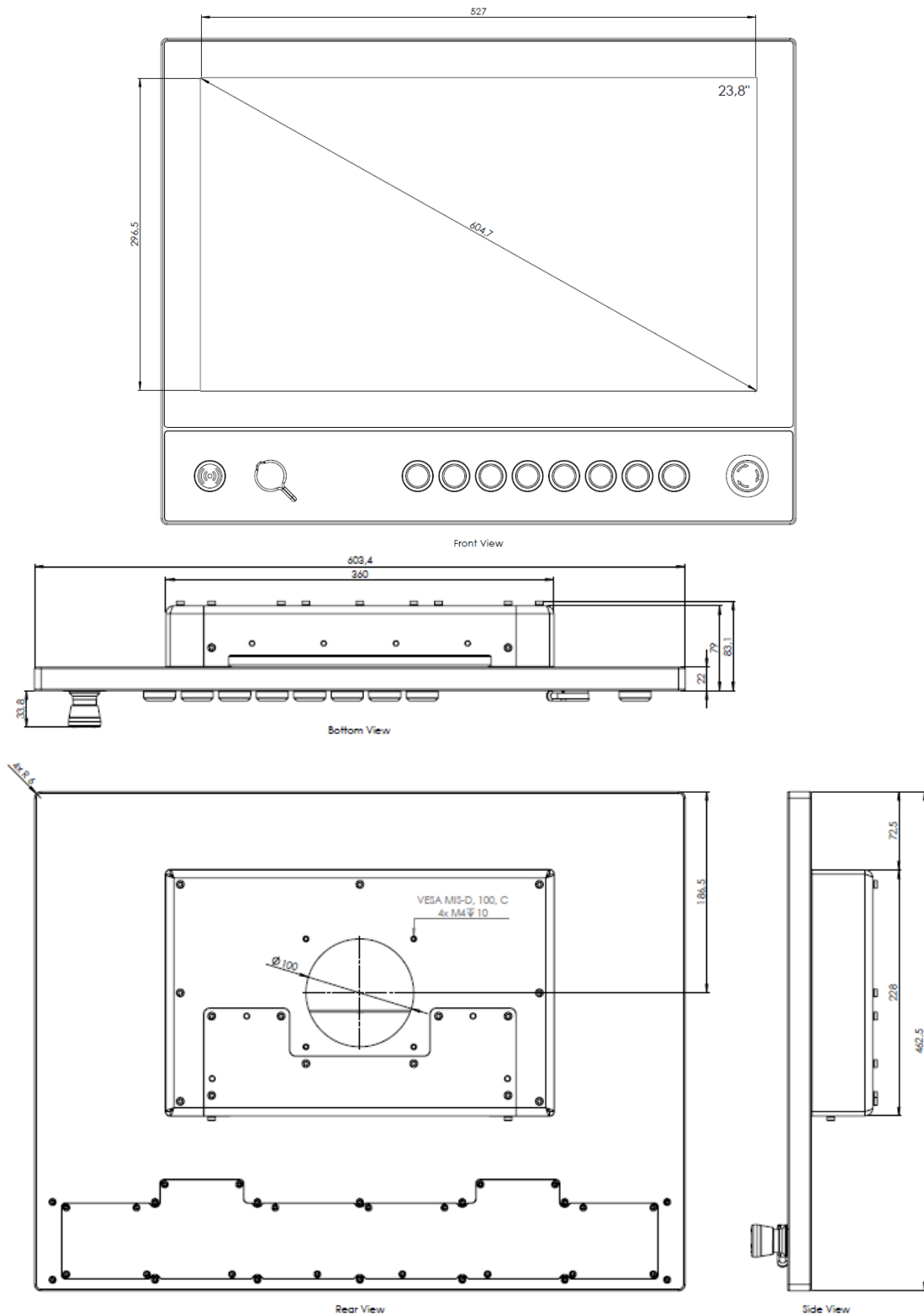


# Touch-it Automation glass

## Product Information

### 5.4 Dimensions 23,8"

Dimensions	603.4 mm x 462.5 mm x 116.9 mm
------------	--------------------------------



# Touch-it Automation glass

## Product Information

### Disclaimer

Technical data are subject to modification and delivery subject to availability. Any liability that the data and illustrations are complete, actual or correct is excluded. Designations may be trademarks and/or copyrights of the respective manufacturer, the use of which by third parties for their own purposes may infringe the rights of such owner.

### Contact

Christ Electronic Systems GmbH  
Alpenstraße 34  
87700 Memmingen

Phone:  
+49 8331 8371-0 (Main Office)  
+49 8331 8371-500 (Service)

Mail:  
[info@christ-es.de](mailto:info@christ-es.de)

Homepage:  
<https://www.christ-es.com>

© Christ Electronic Systems GmbH