

# Touch-it Automation glass

## Product Information



- **Made in Germany**
- **Multitouch**
- **Aluminium Silver Housing**
- **Ultra Compact Design, Fanless**

### PANEL

LCD Size	15.6 (39.6 cm)		18.5 inch (47.0 cm)	
Resolution	1366 x 768	1920 x 1080	1366 x 768	1920 x 1080
Aspect Ratio	16 : 9		16 : 9	
Backlight Life Time	50,000 h	70,000 h	50,000 h	
Luminance*	400 cd/m <sup>2</sup>		300 cd/m <sup>2</sup>	350 cd/m <sup>2</sup>

LCD Size	21.5 inch (54.6 cm)		23.8 (60.5 cm)	
Resolution	1920 x 1080		1920 x 1080	
Aspect Ratio	16 : 9		16 : 9	
Backlight Life Time	30,000 h	50,000 h	30,000 h	
Luminance*	250 cd/m <sup>2</sup>	300 cd/m <sup>2</sup>	250 cd/m <sup>2</sup>	

\*The values are referring to the displays only.

**Touch** Projected Capacitive Touch, Anti-Glare (optional), Multitouch

# Touch-it Automation glass

## Product Information

### SYSTEM

#### Touch-it Monitor / SMART Monitor

	Monitor	SMART Monitor
<b>Distance</b>	Up to 7 m	Up to 100 m
<b>Interfaces</b>	USB 2.0 (Type A, B) / Ethernet (only SMART Monitor) / HDMI / DVI / EtherCAT®	
<b>Extensions</b>	RFID / USB 2.0 / Emergency Stop / 6 x Individual Selectable Buttons / Switches / LEDs (only 15,6") 8 x Individual Selectable Buttons / Switches / LEDs	

#### Touch-it XELO Automation

<b>CPU</b>	AMD® GX-415GA Quad Core™ 1.5 GHz 64 Bit, 2 MB Cache	Intel® Core™ i5- 5350U Dual Core 1.8 GHz 64 Bit, 3 MB Cache	Intel® Core™ i5-7300U Dual Core 2.6 GHz 64 Bit, 4 MB Cache
<b>Memory</b>	4 GB DDR3L / 8 GB DDR3L / 16 GB DDR3L (i5 only)		4 GB DDR4L / 8 GB DDR4L / 16 GB DDR4L / 32 GB DDR4L
<b>Storage</b>	32 / 64 / 128 / 256 / 512 GB MLC SSD / up to 1 TB HDD		
<b>Operating System</b>	Windows / Linux		
<b>Interfaces</b>	USB 2.0 (Type A) / USB 3.0 (Type A) / Ethernet / RS-232 / RS-485 / CAN / DVI (only GX-415 and i5-5350U) / Display Port (only i5-7300U) / Headphone Connector / WLAN / EtherCAT®		
<b>Extensions</b>	RFID / USB 2.0 / Emergency Stop / 6 x Individual Selectable Buttons / Switches / LEDs (only 15,6") 8 x Individual Selectable Buttons / Switches / LEDs		

<b>CPU</b>	Intel Core Celeron N3350 Dual Core (1.1/2.4 GHz)	Intel Core Celeron 3965U 2.2 GHz
<b>Memory</b>	4 GB DDR3L / 8 GB DDR3L SO-DIMM	
<b>Storage</b>	32 / 64 / 128 / 256 GB MLC SSD	
<b>Operating System</b>	Windows / Linux	
<b>Interfaces</b>	USB 3.0 (Type A) / Ethernet / RS-232 / RS-485 / CAN (only Celeron 3965U) / Display Port / WLAN (only Celeron 3965U) / EtherCAT®	
<b>Extensions</b>	RFID / USB 2.0 / Emergency Stop / 6 x Individual Selectable Buttons / Switches / LEDs (only 15,6") 8 x Individual Selectable Buttons / Switches / LEDs	

# Touch-it Automation glass

## Product Information

### POWER SUPPLY

<b>Supply Voltage</b>	24 VDC ± 20%
<b>Power Connector</b>	Phoenix 3-pol MC 1,5/ 3-STF-3,5 BK (screwable) / Phoenix 3-pol MC 1,5/ 3-ST-3,5 BK

### MECHANICAL & ENVIRONMENTAL

<b>Mounting</b>	VESA MIS-D, 100, C
<b>Cooling</b>	Passive
<b>Operating Temperature</b>	0 ~ 50 °C
<b>Storage Temperature</b>	-10 ~ 70 °C
<b>Humidity</b>	5 ~ 80% (non condensing)
<b>Protection Class</b>	IP65
<b>Certification</b>	CE, EN55032 Class A, EN55024

Never cover the device completely or build it in a small closed and unvented housing.

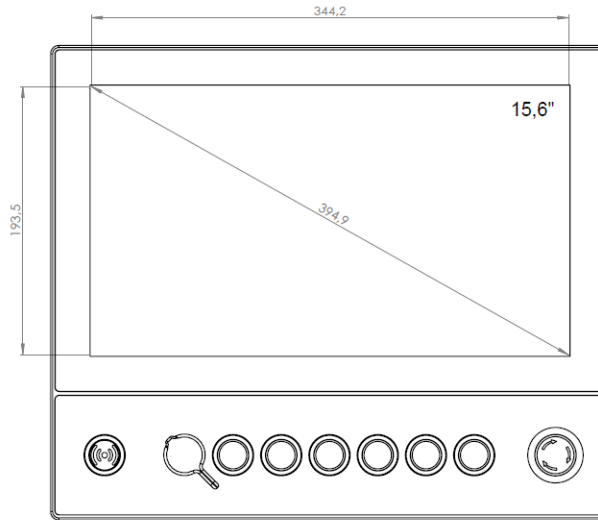
# Touch-it Automation glass

## Product Information

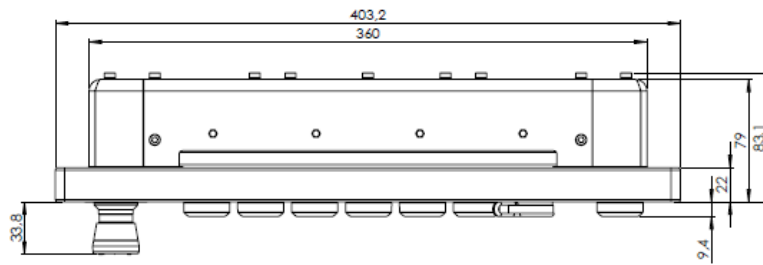
### DIMENSIONS 15,6

**Dimensions**

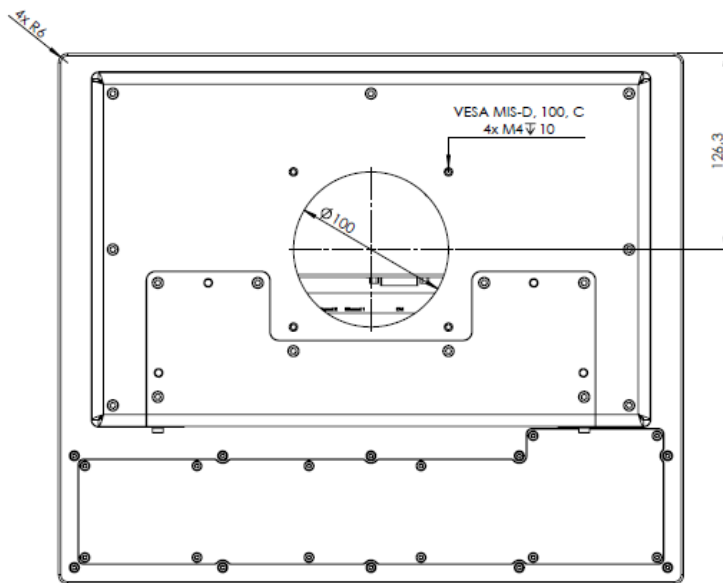
403.2 mm x 342.0 mm x 116.9 mm



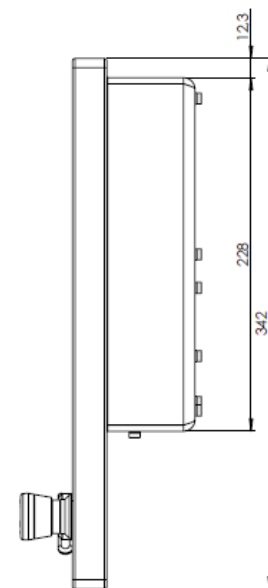
Front View



Bottom View



Back View



Side View

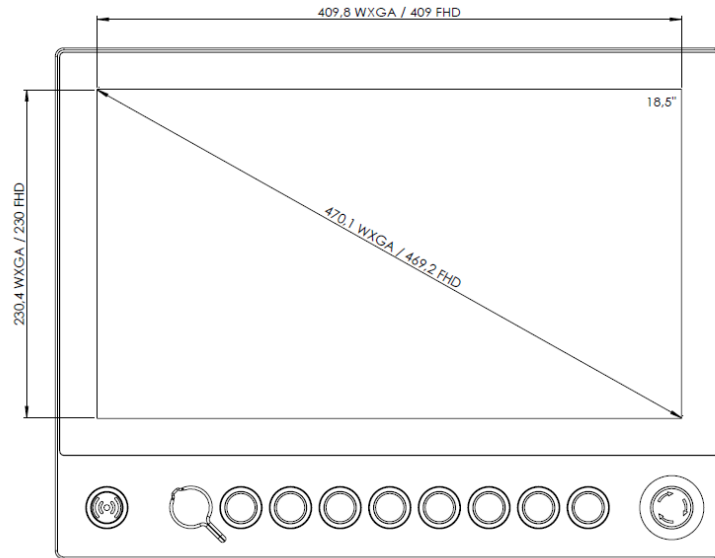
# Touch-it Automation glass

## Product Information

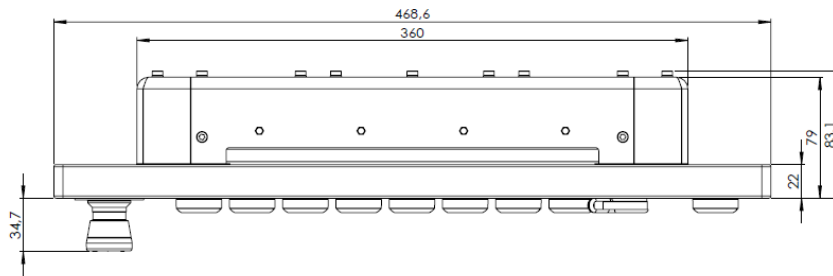
### DIMENSIONS 18,5

#### Dimensions

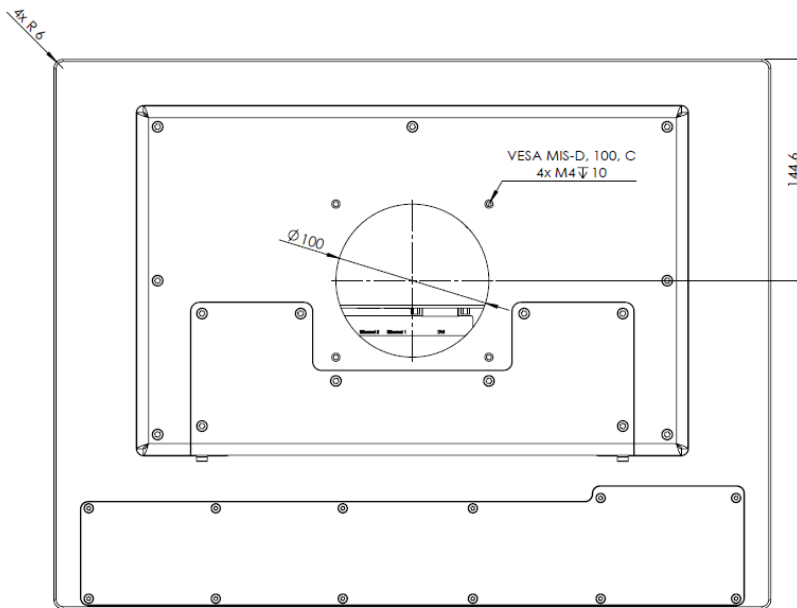
468.6 mm x 359.0 mm x 117.8 mm



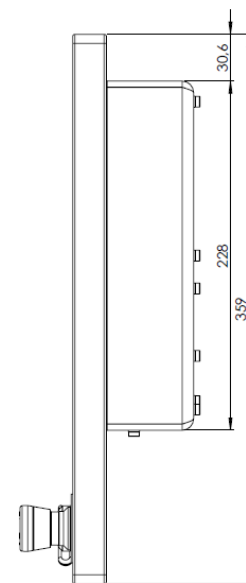
Front View



Bottom View



Back View



Side View

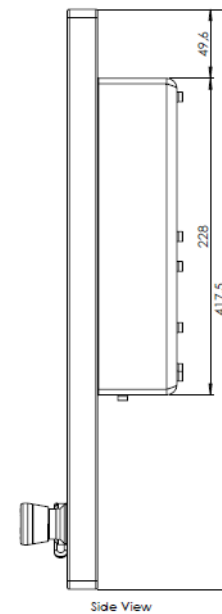
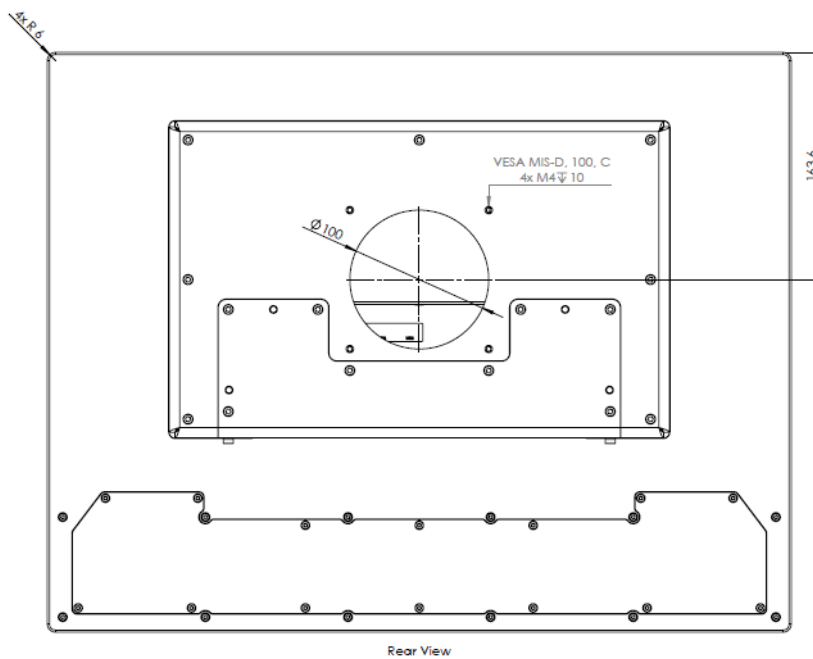
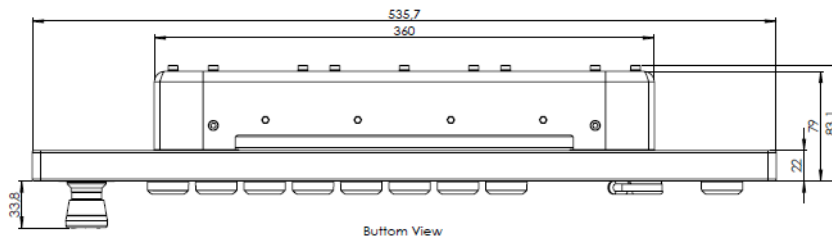
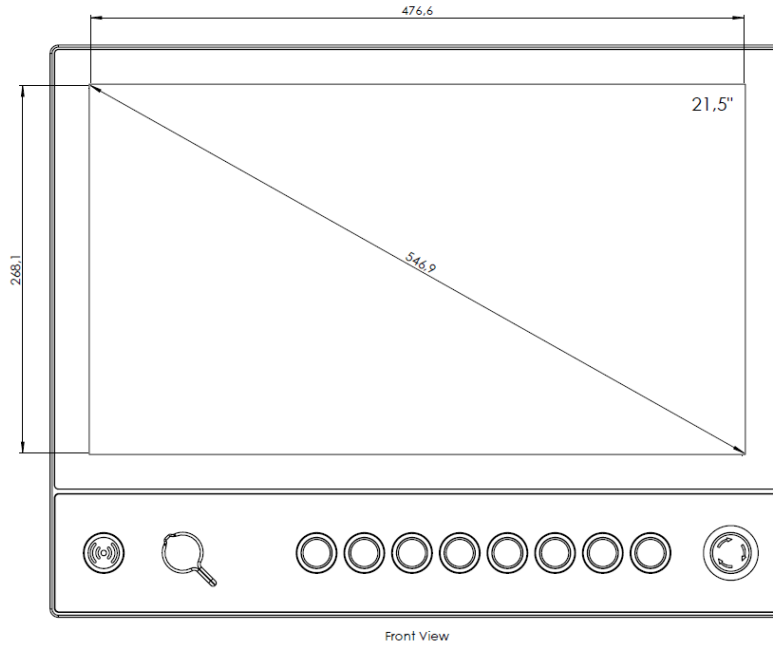
# Touch-it Automation glass

## Product Information

### DIMENSIONS 21,5

#### Dimensions

535.7 mm x 417.5 mm x 116.9 mm



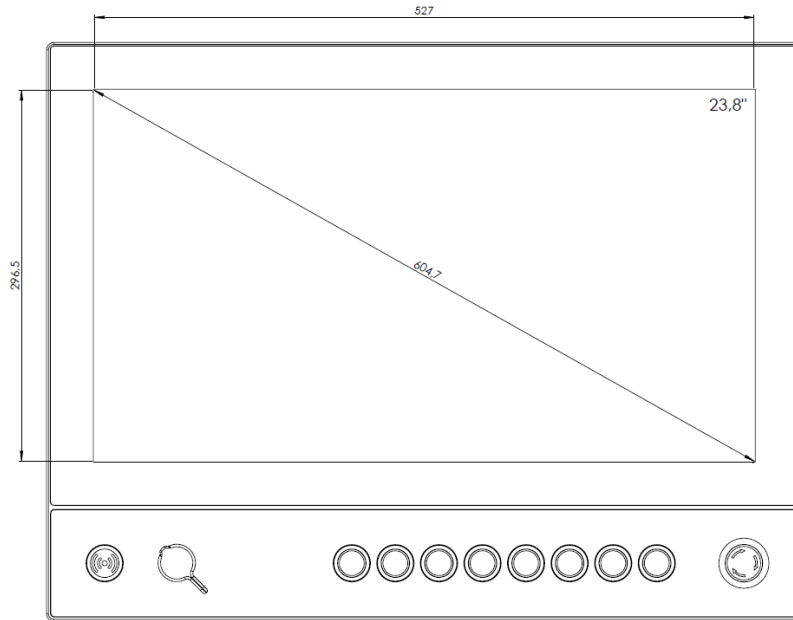
# Touch-it Automation glass

## Product Information

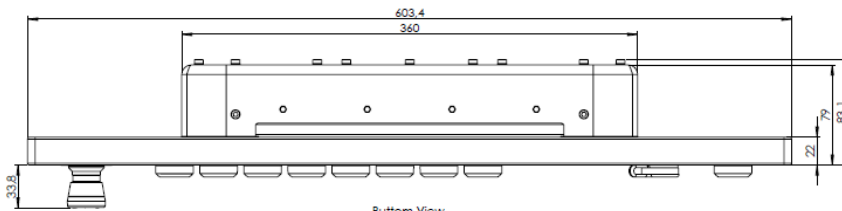
### DIMENSIONS 23,8

#### Dimensions

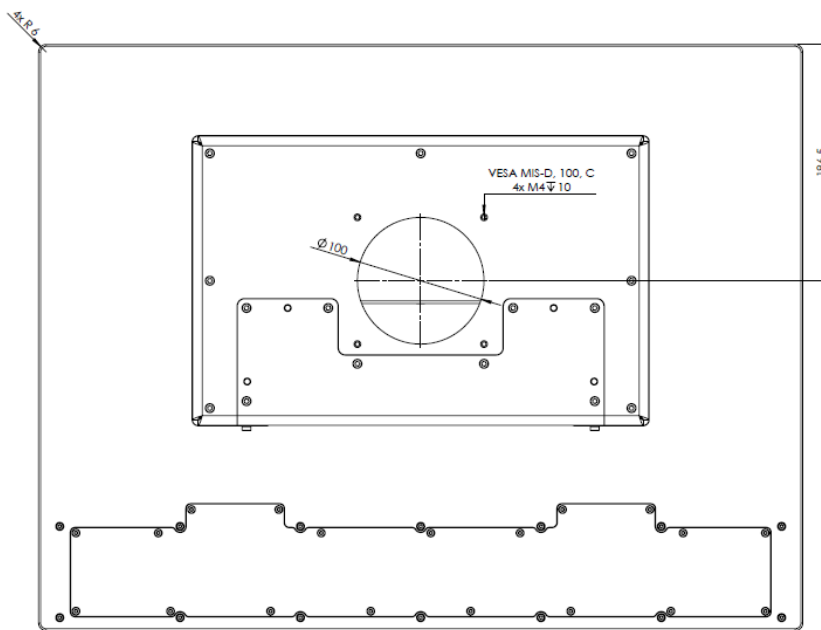
603.4 mm x 462.5 mm x 116.9 mm



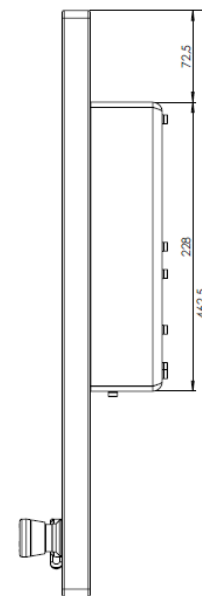
Front View



Bottom View



Rear View



Side View

# Touch-it Automation glass

Product Information

## DISCLAIMER

Technical data are subject to modification and delivery subject to availability. Any liability that the data and illustrations are complete, actual or correct is excluded. Designations may be trademarks and/or copyrights of the respective manufacturer, the use of which by third parties for their own purposes may infringe the rights of such owner.



**CHRIST ELECTRONIC SYSTEMS GMBH**  
**MANUFACTURER OF INDUSTRIAL ELECTRONICS**

### CONTACT

Christ Electronic Systems GmbH  
Alpenstraße 34  
87700 Memmingen  
Phone: +49 8331/ 83710  
[www.christ-es.de](http://www.christ-es.de)

### FROM IDEAS TO REALITY

We are a German developer and manufacturer of innovative HMI-systems for demanding industrial applications. Christ offers an extensive range of

TOUCH PANEL PCs  
TOUCH MONITORS  
SINGLE BOARD COMPUTER  
VISUALISATION SYSTEMS

|x86 & ARM  
|7" – 24"  
|Windows & Linux  
|HMI & SCADA