

# Touch-it Front Panel glass

## Product Information

- Made in Germany
- Multitouch
- Stainless Steel Housing
- VESA 100



## Contents

|   |    |
|---|----|
| <b>Contents</b> .....   | 1  |
| <b>1 Panel</b> .....  | 2  |
| <b>2 System</b> .....   | 2  |
| <b>2.1 Touch-it Monitor / SMART Monitor Front Panel</b> ..... | 2  |
| <b>2.2 Touch-it CE Front Panel</b> .....                      | 2  |
| <b>2.3 Touch-it XELO Front Panel</b> .....                    | 3  |
| <b>3 Power Supply</b> .....                                   | 3  |
| <b>4 Mechanical &amp; Environmental</b> .....                 | 3  |
| <b>5 Dimensions</b> .....                                     | 4  |
| <b>5.1 Dimensions 7"</b> .....                                | 4  |
| <b>5.2 Dimensions 10,1"</b> .....                             | 5  |
| <b>5.3 Dimensions 10,4"</b> .....                             | 6  |
| <b>5.4 Dimensions 12,1"</b> .....                             | 7  |
| <b>5.5 Dimensions 15"</b> .....                               | 8  |
| <b>5.6 Dimensions 15,6"</b> .....                             | 9  |
| <b>5.7 Dimensions 18,5"</b> .....                             | 10 |
| <b>5.8 Dimensions 21,5"</b> .....                             | 11 |
| <b>5.9 Dimensions 23,8"</b> .....                             | 12 |

# Touch-it Front Panel glass

## Product Information

### 1 Panel

|                     |                       |                        |                       |                        |                       |                       |
|---------------------|-----------------------|------------------------|-----------------------|------------------------|-----------------------|-----------------------|
| LCD Size            | 7.0 inch (17.8 cm)    |                        | 10.1 inch (25.7 cm)   |                        | 10.4 inch (26.4 cm)   |                       |
| Resolution          | 800 x 480             |                        | 1280 x 800            |                        | 800 x 600             | 1024 x 768            |
| Aspect Ratio        | 5 : 3                 | 16 : 9                 | 16 : 10               |                        | 4 : 3                 |                       |
| Backlight Life Time | 30,000 h              | 40,000 h               | 50,000 h              |                        | 20,000 h              | 30,000 h              |
| Luminance*          | 500 cd/m <sup>2</sup> | 1000 cd/m <sup>2</sup> | 500 cd/m <sup>2</sup> | 1000 cd/m <sup>2</sup> | 400 cd/m <sup>2</sup> | 350 cd/m <sup>2</sup> |
| LCD Size            | 12.1 inch (30.7 cm)   |                        | 15.0 inch (38.1 cm)   |                        | 15.6 inch (39.6 cm)   |                       |
| Resolution          | 1280 x 800            |                        | 1024 x 768            |                        | 1366 x 768            | 1920 x 1080           |
| Aspect Ratio        | 16 : 10               |                        | 4 : 3                 |                        | 16 : 9                |                       |
| Backlight Life Time | 50,000 h              |                        | 50,000 h              |                        | 50,000 h              | 70,000 h              |
| Luminance*          | 400 cd/m <sup>2</sup> |                        | 400 cd/m <sup>2</sup> |                        | 400 cd/m <sup>2</sup> |                       |
| LCD Size            | 18.5 inch (47.0 cm)   |                        | 21.5 inch (54.6 cm)   |                        | 23.8 inch (60.5 cm)   |                       |
| Resolution          | 1366 x 768            | 1920 x 1080            | 1920 x 1080           |                        | 1920 x 1080           |                       |
| Aspect Ratio        | 16 : 9                |                        | 16 : 9                |                        | 16 : 9                |                       |
| Backlight Life Time | 50,000 h              |                        | 30,000 h              | 50,000 h               | 30,000 h              |                       |
| Luminance*          | 300 cd/m <sup>2</sup> | 350 cd/m <sup>2</sup>  | 250 cd/m <sup>2</sup> | 300 cd/m <sup>2</sup>  | 250 cd/m <sup>2</sup> |                       |

\* The values are referring to the displays only.

Touch Projected Capacitive Touch, Anti-Glare (optional), Multitouch

### 2 System

#### 2.1 Touch-it Monitor / SMART Monitor Front Panel

|               | Monitor  | SMART Monitor |
|---------------|--|---------------|
| Graphic       | Up to 7 m  | Up to 100 m   |
| Video Decoder | USB 2.0 (Type A, B) / Ethernet (only SMART Monitor) / HDMI (only Monitor) / DVI (only Monitor) |               |

#### 2.2 Touch-it CE Front Panel

|                  |   |                       |
|------------------|---|-----------------------|
| CPU              | NXP i.MX6DL, DualCore 1 GHz                         | NXP i.MX6Q, Quad Core |
| Memory           | 1 GB DDR3 RAM                                       |                       |
| Storage          | 4 GB eMMC FLASH                                     |                       |
| Operating System | Linux Embedded                                      |                       |
| Interfaces       | USB 2.0 (Type A) / Ethernet / RS-232 / RS-485 / CAN |                       |

# Touch-it Front Panel glass

## Product Information

### 2.3 Touch-it XELO Front Panel

|                         |  |  |  |
|-------------------------|--|--|--|
| <b>CPU</b>              | AMD® GX-415GA Quad Core™ 1.5 GHz 64 Bit, 2 MB Cache  | Intel® Core™ i5-5350U Dual Core 1.8 GHz 64 Bit, 3 MB Cache | Intel® Core™ i5-7300U Dual Core 2.6 GHz 64 Bit, 4 MB Cache |
| <b>Memory</b>           | 4 GB DDR3L / 8 GB DDR3L / 16 GB DDR3L (i5 only)  |  | 4 GB DDR4L / 8 GB DDR4L / 16 GB DDR4L / 32 GB DDR4L        |
| <b>Storage</b>          | 32 / 64 / 128 / 256 / 512 GB MLC SSD / up to 1 TB HDD  |  |  |
| <b>Operating System</b> | Windows / Linux  |  |  |
| <b>Interfaces</b>       | USB 2.0 (Type A) / USB 3.0 (Type A) / Ethernet / RS-232 / RS-422 / RS-485 / DVI (only GX-415 and i5-5350U) / Display Port (only i5-7300U) / Headphone Connector / WLAN |  |  |

|                         |   |  |
|-------------------------|---|--|
| <b>CPU</b>              | Intel® Core Celeron N3350 Dual Core (1.1/2.4 GHz)   | Intel® Core Celeron 3965U 2.2 GHz                            |
| <b>Memory</b>           | 4 GB DDR3L / 8 GB DDR3L SO-DIMM   | 4 GB DDR4 / 8 GB DDR4 / 16 GB DDR4 / 32 GB DDR4-2133 SO-DIMM |
| <b>Storage</b>          | 32 / 64 / 128 / 256 GB MLC SSD  |  |
| <b>Operating System</b> | Windows / Linux   |  |
| <b>Interfaces</b>       | USB 3.0 (Type A) / USB 2.0 (Type A, only Celeron N3965U) / Ethernet / RS-232 / RS-422 / RS-485 / Display Port / WLAN (only Celeron 3965U) |  |

### 3 Power Supply

|                        |  |
|------------------------|--|
| <b>Supply Voltage</b>  | 24 VDC ± 20 %  |
| <b>Power Connector</b> | Phoenix 3-pol MC 1,5/ 3-STF-3,5 BK (screwable) / Phoenix 3-pol MC 1,5/ 3-ST-3,5 BK |

### 4 Mechanical & Environmental

|                              |                                  |
|------------------------------|----------------------------------|
| <b>Cooling</b>               | Passive                          |
| <b>Operating Temperature</b> | 0 ~ 50 °C<br>0 ~ 40 °C (only 7") |
| <b>Storage Temperature</b>   | -10 ~ 70 °C                      |
| <b>Humidity</b>              | 5 ~ 80% (non condensing)         |
| <b>Protection Class</b>      | IP65 front, IP20 rear            |
| <b>Certification</b>         | CE, EN55032 Class A, EN55024     |

Never cover the device completely or build it in a small closed and unvented housing.

# Touch-it Front Panel glass

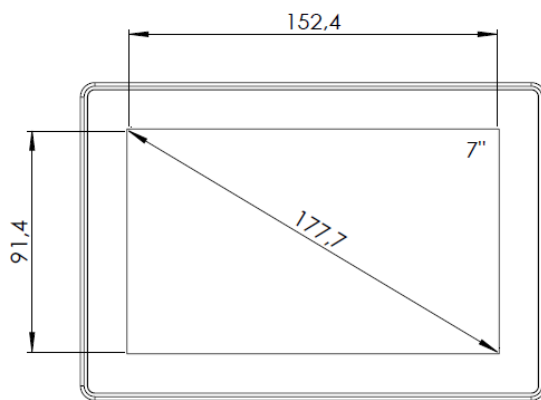
## Product Information

### 5 Dimensions

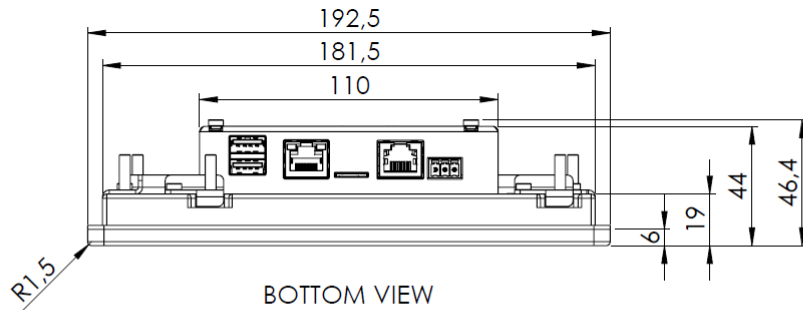
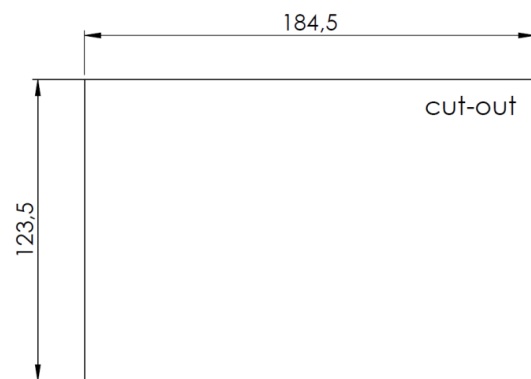
The following values of the dimensions and the cutouts are only examples.

#### 5.1 Dimensions 7"

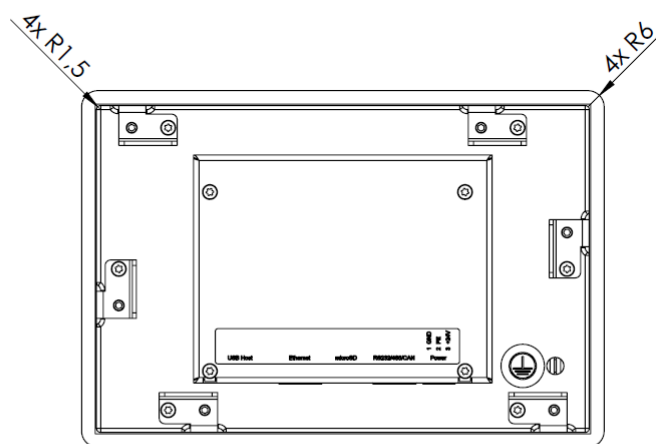
|            |                               |
|------------|-------------------------------|
| Dimensions | 192.5 mm x 131.5 mm x 46.4 mm |
| Cutout     | 184.5 mm x 123.5 mm           |



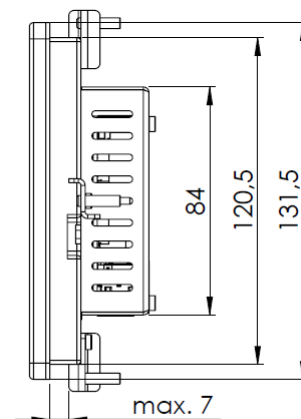
FRONT VIEW



BOTTOM VIEW



REAR VIEW



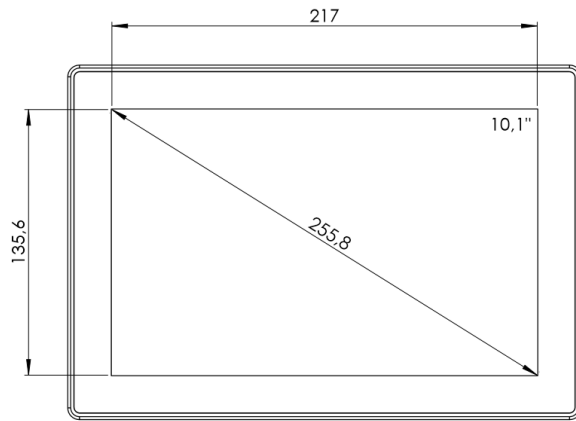
SIDE VIEW

# Touch-it Front Panel glass

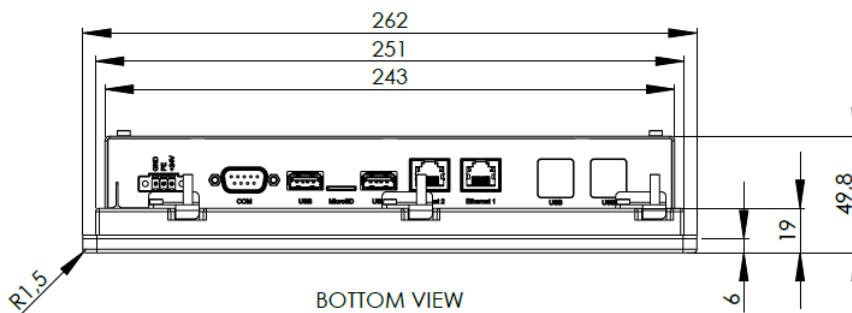
## Product Information

### 5.2 Dimensions 10,1"

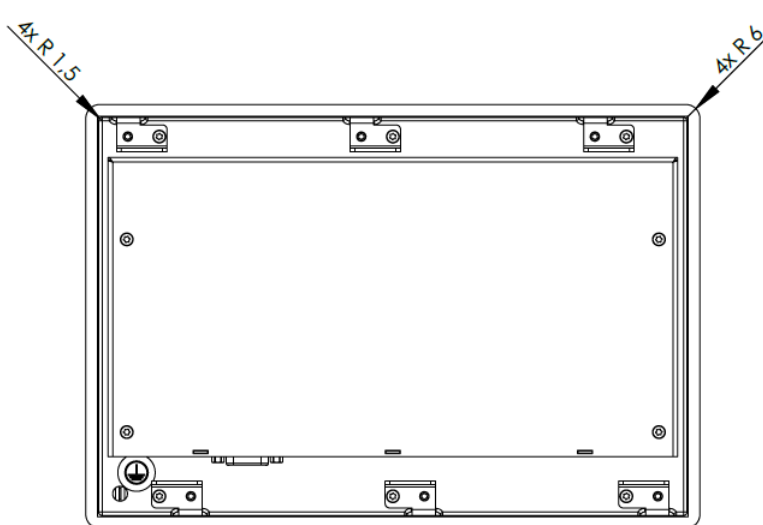
|                   |                               |
|-------------------|-------------------------------|
| <b>Dimensions</b> | 262.0 mm x 181.0 mm x 49.8 mm |
| <b>Cutout</b>     | 253.0 mm x 172.0 mm           |



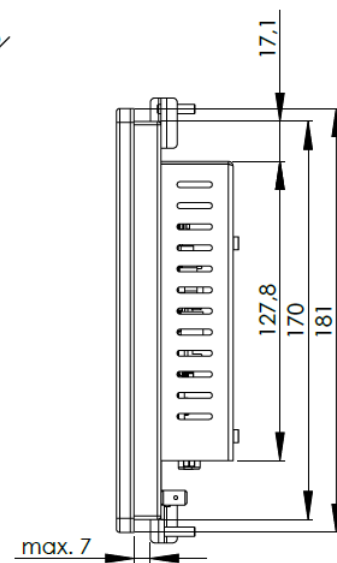
FRONT VIEW



BOTTOM VIEW



REAR VIEW



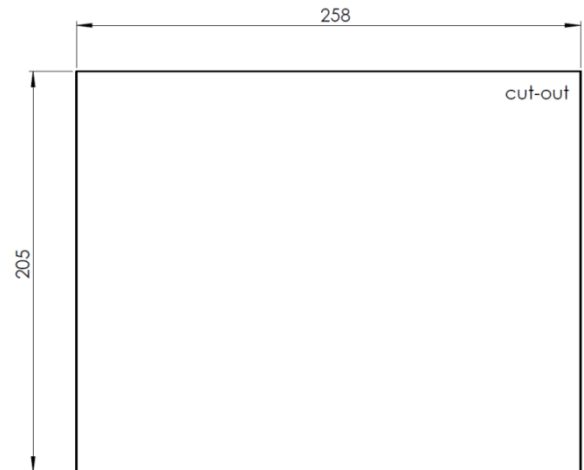
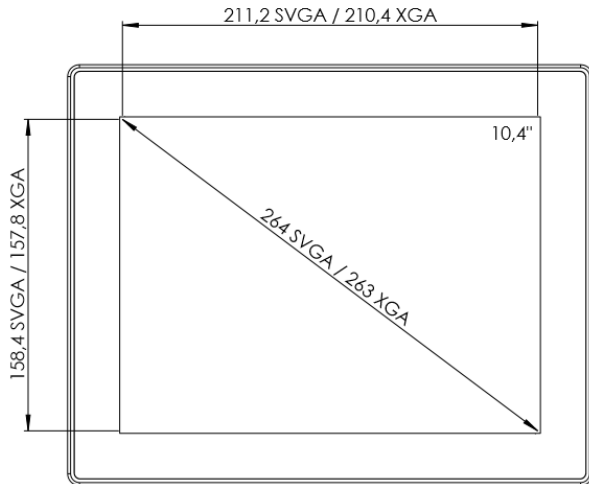
SIDE VIEW

# Touch-it Front Panel glass

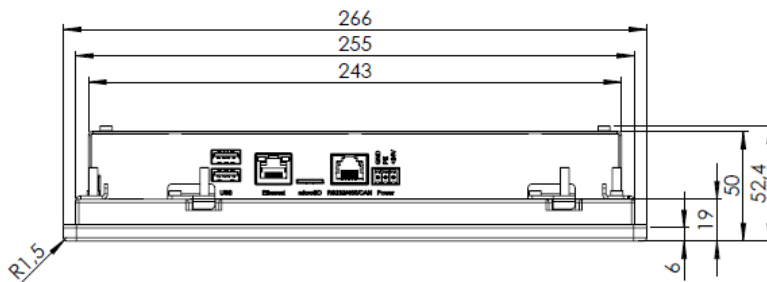
## Product Information

### 5.3 Dimensions 10,4"

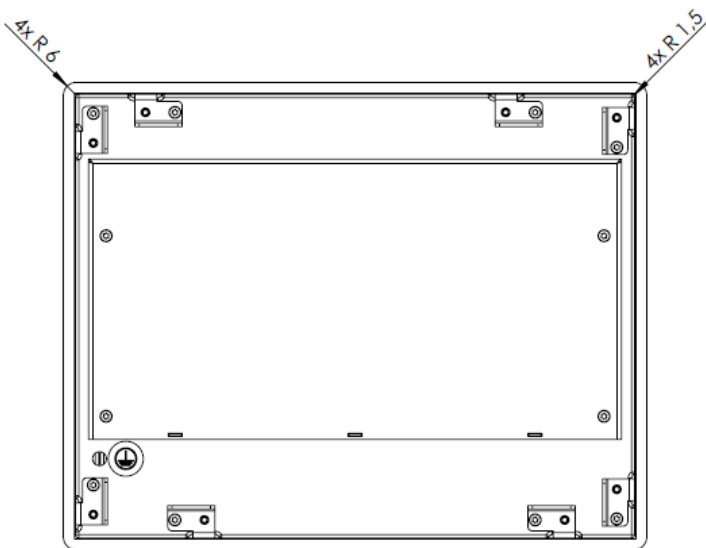
|                   |                               |
|-------------------|-------------------------------|
| <b>Dimensions</b> | 266.0 mm x 213.2 mm x 52.4 mm |
| <b>Cutout</b>     | 258.0 mm x 205.0 mm           |



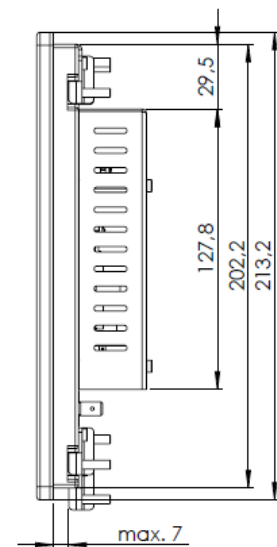
FRONT VIEW



BOTTOM VIEW



REAR VIEW



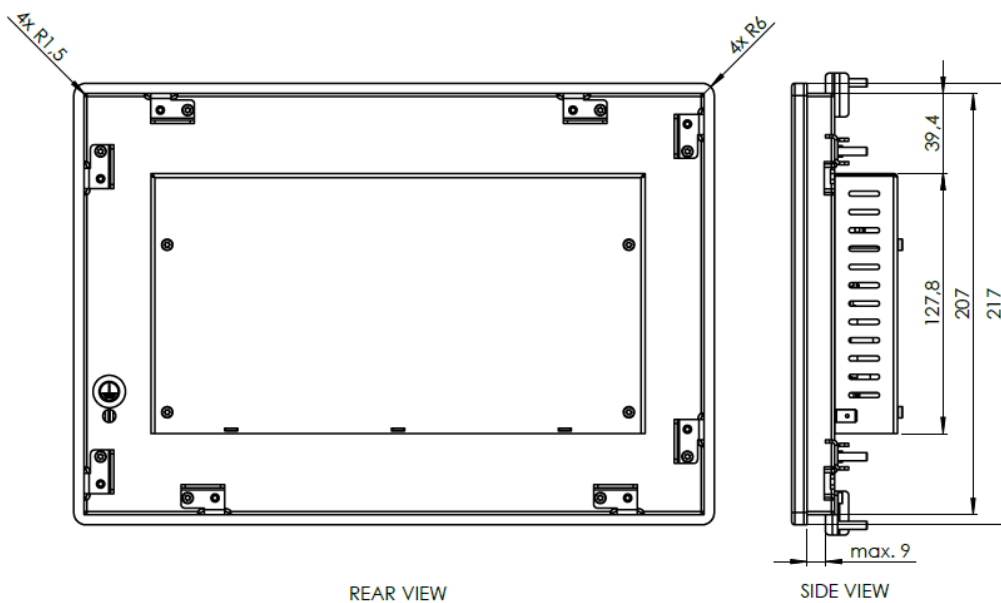
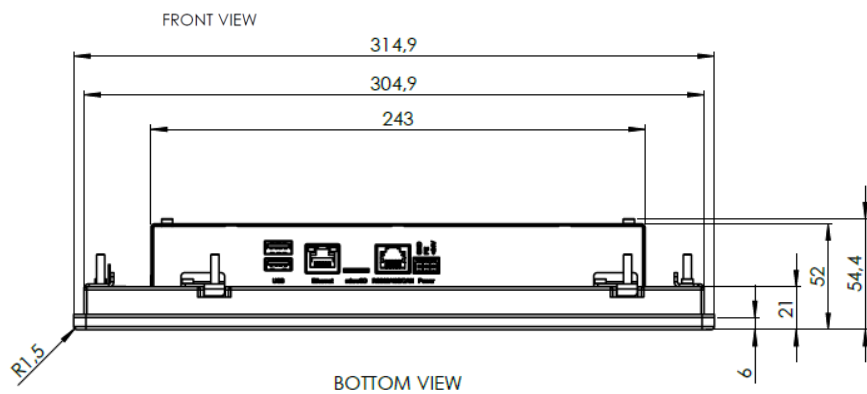
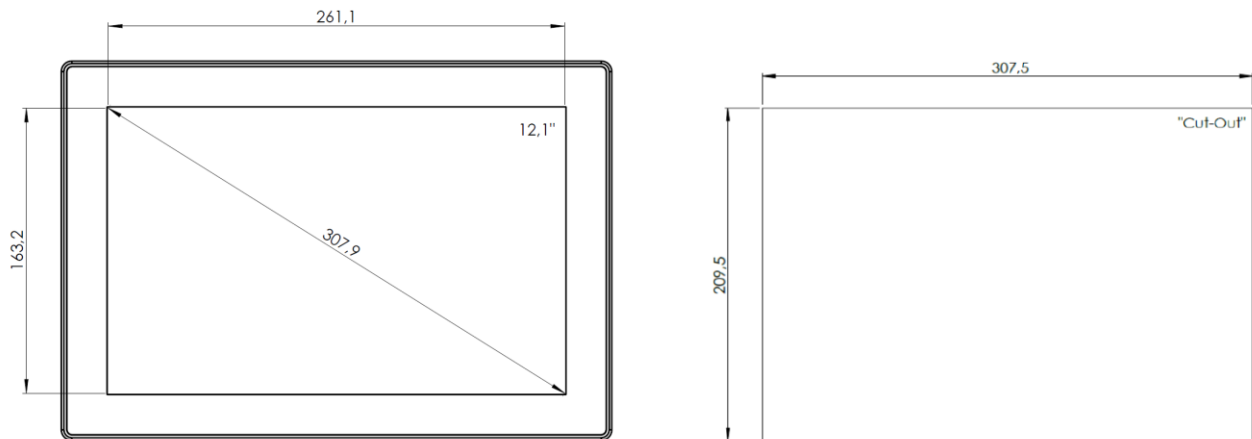
SIDE VIEW

# Touch-it Front Panel glass

## Product Information

### 5.4 Dimensions 12,1"

|                   |                               |
|-------------------|-------------------------------|
| <b>Dimensions</b> | 314.9 mm x 217.0 mm x 54.4 mm |
| <b>Cutout</b>     | 307.5 mm x 209.5 mm           |

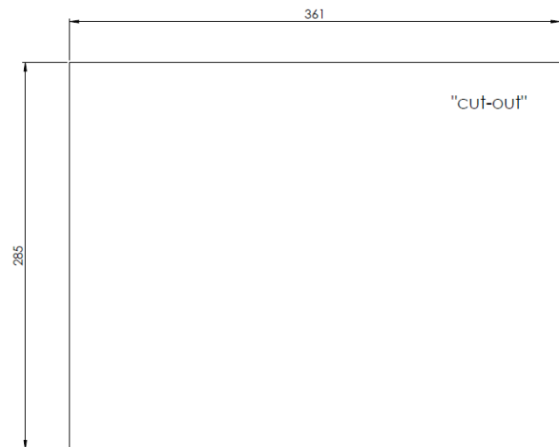
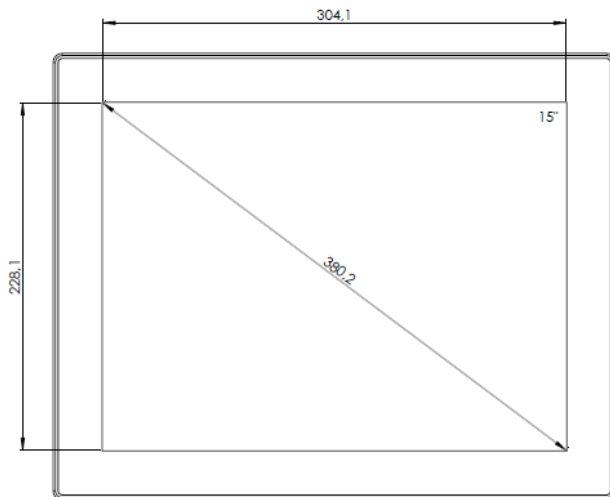


# Touch-it Front Panel glass

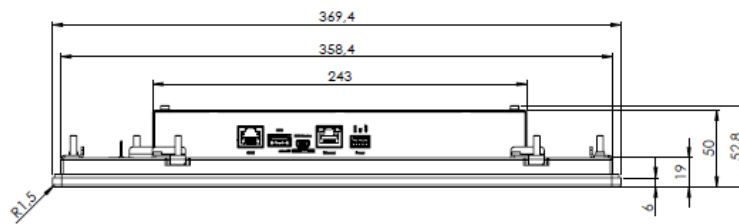
## Product Information

### 5.5 Dimensions 15"

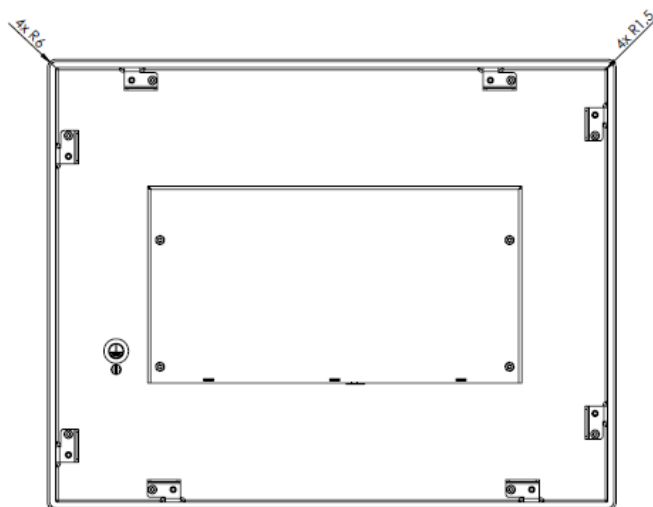
|                   |                               |
|-------------------|-------------------------------|
| <b>Dimensions</b> | 369.4 mm x 293.4 mm x 52.8 mm |
| <b>Cutout</b>     | 361.0 mm x 285.0 mm           |



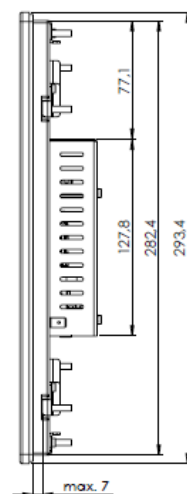
FRONT VIEW



FRONT VIEW



FRONT VIEW



FRONT VIEW

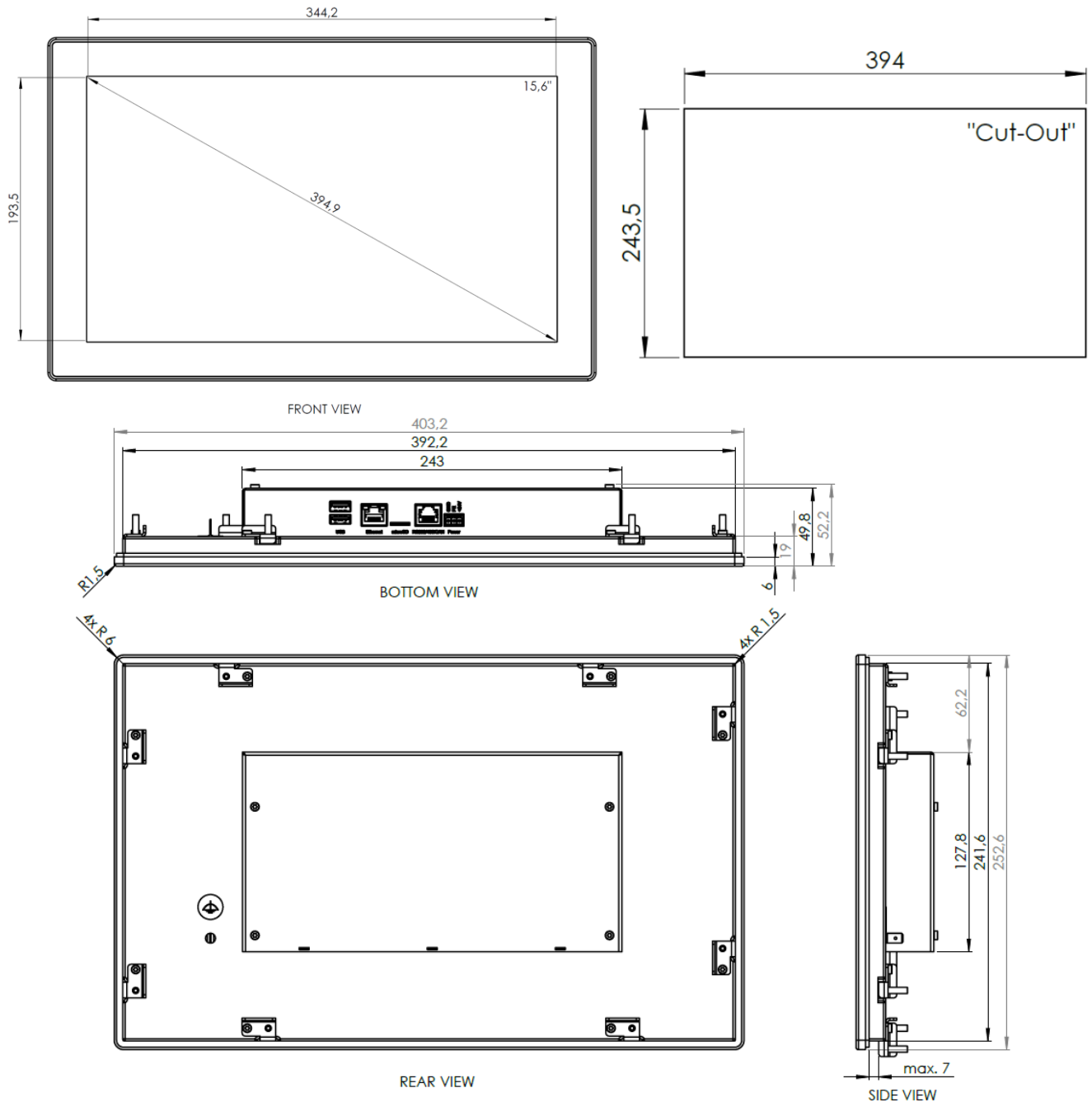


# Touch-it Front Panel glass

## Product Information

### 5.6 Dimensions 15.6"

|                   |                               |
|-------------------|-------------------------------|
| <b>Dimensions</b> | 403.2 mm x 252.6 mm x 52.2 mm |
| <b>Cutout</b>     | 394.0 mm x 243.5 mm           |

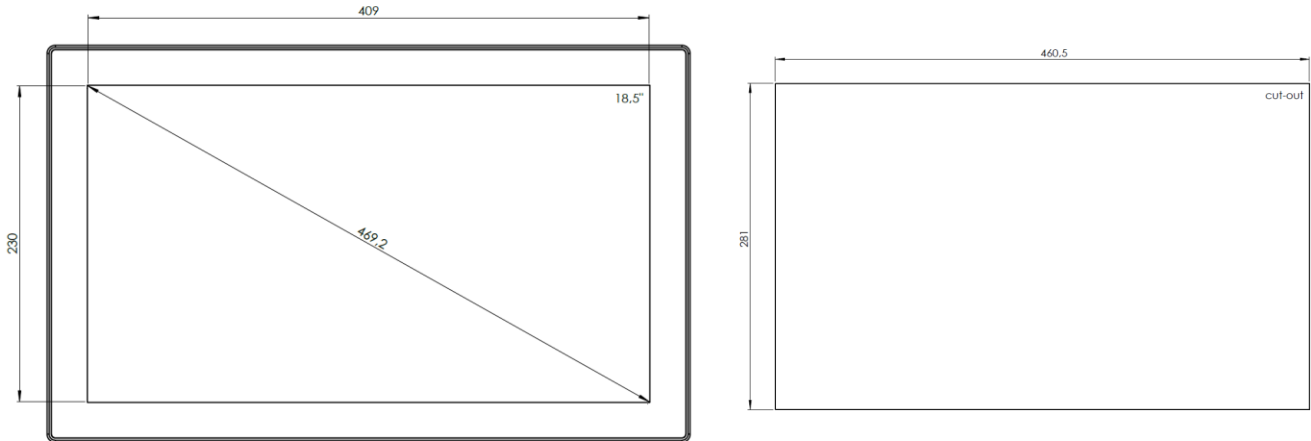


# Touch-it Front Panel glass

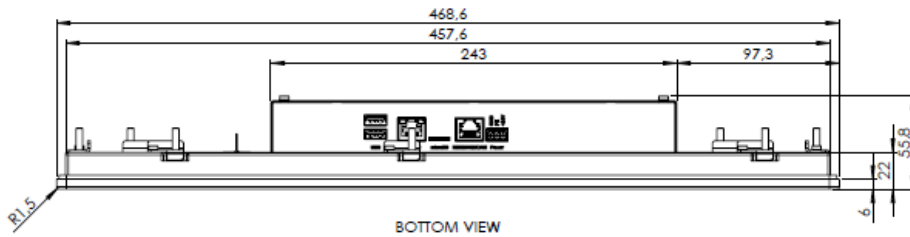
## Product Information

### 5.7 Dimensions 18.5"

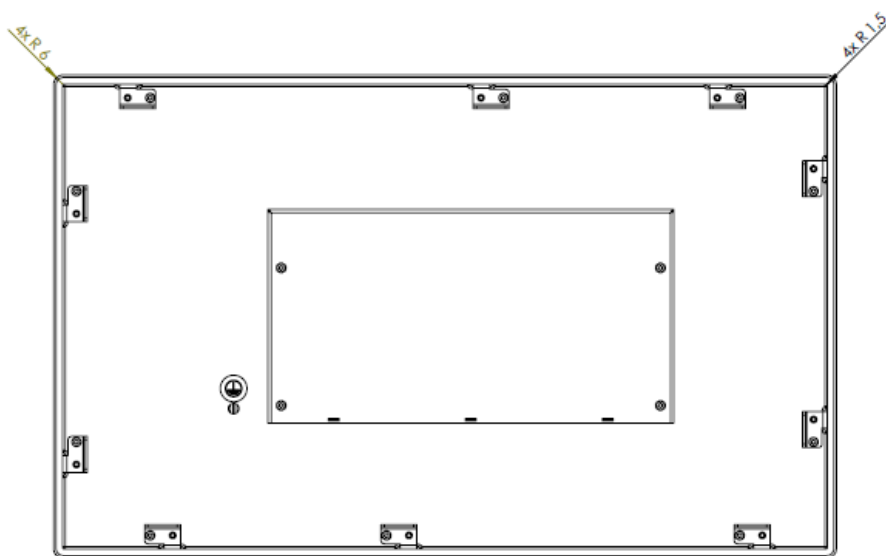
|            |                               |
|------------|-------------------------------|
| Dimensions | 468.6 mm x 289.2 mm x 55.8 mm |
| Cutout     | 460.5 mm x 281.0 mm           |



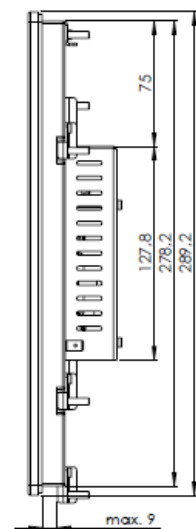
FRONT VIEW



BOTTOM VIEW



REAR VIEW



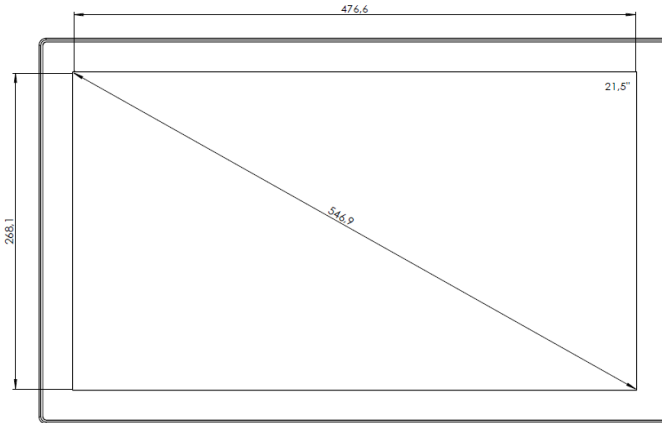
SIDE VIEW

# Touch-it Front Panel glass

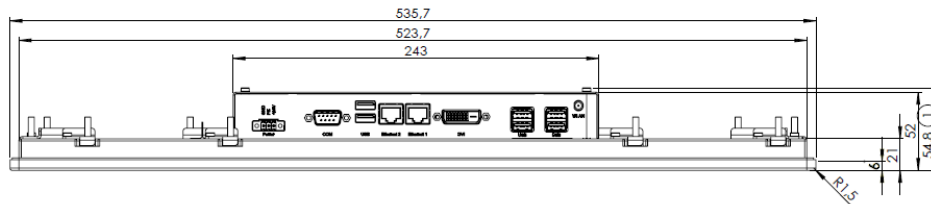
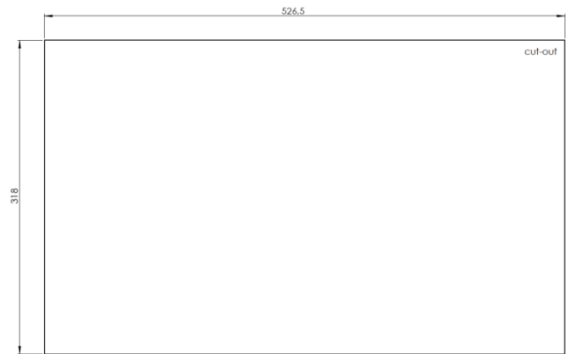
## Product Information

### 5.8 Dimensions 21,5"

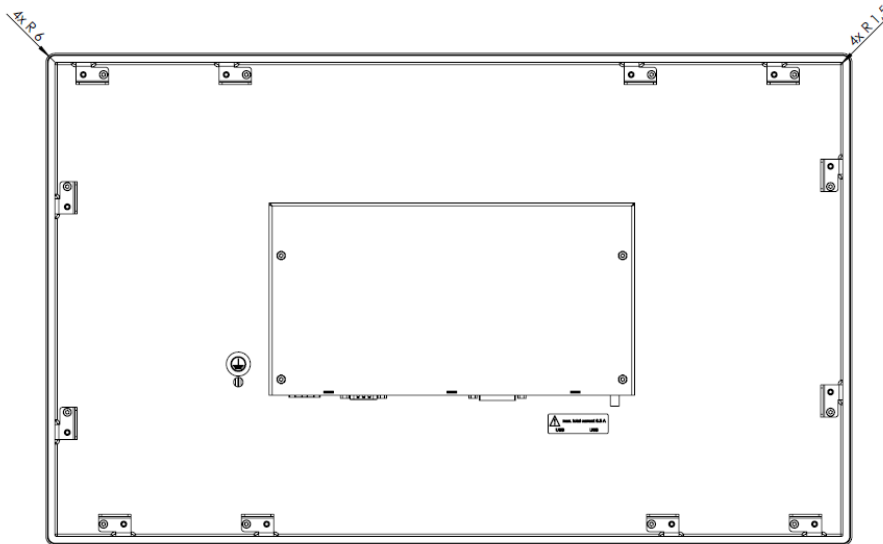
|                   |                               |
|-------------------|-------------------------------|
| <b>Dimensions</b> | 535.7 mm x 327.2 mm x 54.8 mm |
| <b>Cutout</b>     | 526.5 mm x 381.0 mm           |



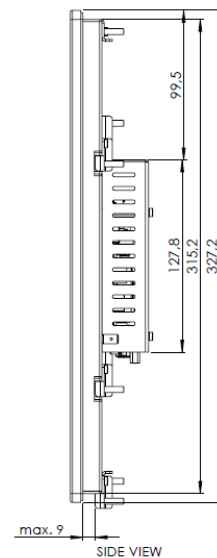
FRONT VIEW



BOTTOM VIEW



REAR VIEW



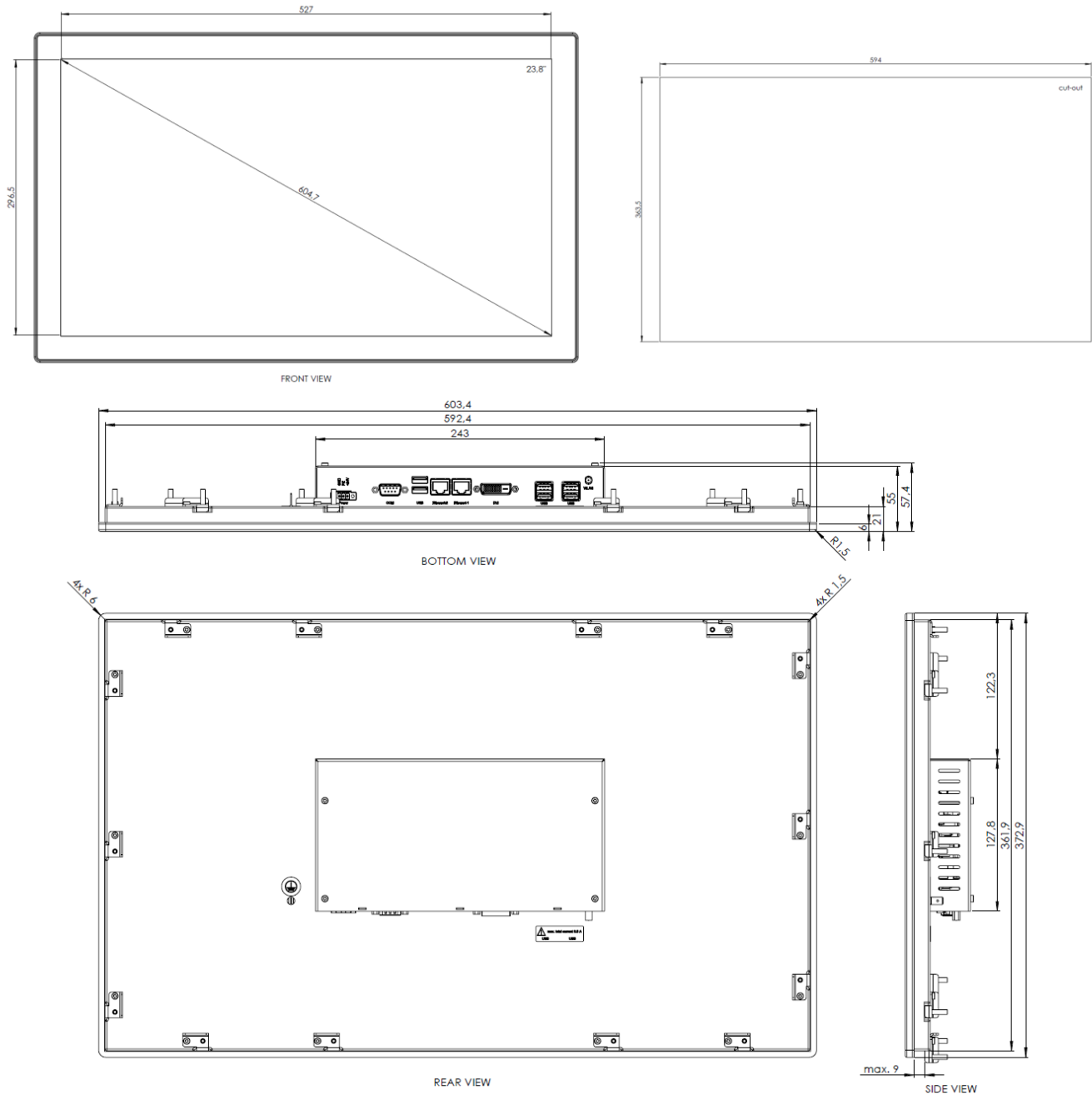
SIDE VIEW

# Touch-it Front Panel glass

## Product Information

### 5.9 Dimensions 23,8"

|                   |                               |
|-------------------|-------------------------------|
| <b>Dimensions</b> | 603.4 mm x 372.9 mm x 57.4 mm |
| <b>Cutout</b>     | 594.0 mm x 363.5 mm           |



# Touch-it Front Panel glass

## Product Information

### Disclaimer

Technical data are subject to modification and delivery subject to availability. Any liability that the data and illustrations are complete, actual or correct is excluded. Designations may be trademarks and/or copyrights of the respective manufacturer, the use of which by third parties for their own purposes may infringe the rights of such owner.

### Contact

Christ Electronic Systems GmbH  
Alpenstraße 34  
87700 Memmingen

Phone:  
+49 8331 8371-0 (Main Office)  
+49 8331 8371-500 (Service)

Mail:  
[info@christ-es.de](mailto:info@christ-es.de)

Homepage:  
<https://www.christ-es.com>

© Christ Electronic Systems GmbH