

Touch-it Front Panel glass

Product Information



- **Made in Germany**
- **Multitouch**
- **Aluminium Silver Housing**
- **Ultra Compact Design, Fanless**

PANEL

LCD Size	7.0 inch (17.8 cm)		10.1 inch (25.7 cm)		10.4 inch (26.4 cm)	
Resolution	800 x 480		1280 x 800		800 x 600	1024 x 768
Aspect Ratio	5 : 3		16 : 10		4 : 3	
Backlight Life Time	30,000 h		50,000 h		20,000 h	30,000 h
Luminance*	500 cd/m ²		500 cd/m ²	1000 cd/m ²	400 cd/m ²	350 cd/m ²

LCD Size	15 inch (38.1 cm)		15.6 (39.6 cm)		18.5 inch (47.0 cm)	
Resolution	1024 x 768		1366 x 768	1920 x 1080	1366 x 768	1920 x 1080
Aspect Ratio	4 : 3		16 : 9		16 : 9	
Backlight Life Time	50,000 h		50,000 h	70,000 h	50,000 h	
Luminance*	400 cd/m ²		400 cd/m ²		300 cd/m ²	350 cd/m ²

LCD Size	21.5 inch (54.6 cm)		23.8 (60.5 cm)	
Resolution	1920 x 1080		1920 x 1080	
Aspect Ratio	16 : 9		16 : 9	
Backlight Life Time	30,000 h	50,000 h	30,000 h	
Luminance*	250 cd/m ²	300 cd/m ²	250 cd/m ²	

*The values are referring to the displays only.

Touch Projected Capacitive Touch, Anti-Glare (optional), Multitouch

Touch-it Front Panel glass

Product Information

SYSTEM

Touch-it Monitor / SMART Monitor

	Monitor	SMART Monitor
Distance	Up to 7 m	Up to 100 m
Interfaces	USB 2.0 (Type A, B) / Ethernet (only SMART Monitor) / HDMI / DVI	

Touch-it CE Front Panel

CPU	NXP i.MX6DL, DualCore 1 GHz	NXP i.MX6 QuadCore 1GHz
Memory	1 GB DDR3 RAM	
Storage	4 GB eMMC FLASH	
Operating System	Linux Embedded	
Interfaces	USB 2.0 (Type A) / Ethernet / RS-232 / RS-485 / CAN	

Touch-it XELO Front Panel

CPU	AMD® GX-415GA Quad Core™ 1.5 GHz 64 Bit, 2 MB Cache	Intel® Core™ i5- 5350U Dual Core 1.8 GHz 64 Bit, 3 MB Cache	Intel® Core™ i5-7300U Dual Core 2.6 GHz 64 Bit, 4 MB Cache
Memory	4 GB DDR3L / 8 GB DDR3L / 16 GB DDR3L (i5 only)		4 GB DDR4L / 8 GB DDR4L / 16 GB DDR4L / 32 GB DDR4L
Storage	32 / 64 / 128 / 256 / 512 GB MLC SSD / up to 1 TB HDD		
Operating System	Windows / Linux		
Interfaces	USB 2.0 (Type A) / USB 3.0 (Type A) / Ethernet / RS-232 / RS-485 / CAN / DVI (only GX-415 and i5-5350U) / Display Port (only i5-7300U) / Headphone Connector / WLAN		

CPU	Intel Core Celeron N3350 Dual Core (1.1/2.4 GHz)	Intel Core Celeron 3965U 2.2 GHz
Memory	4 GB DDR3L / 8 GB DDR3L SO-DIMM	
Storage	32 / 64 / 128 / 256 GB MLC SSD	
Operating System	Windows / Linux	
Interfaces	USB 3.0 (Type A) / Ethernet / RS-232 / RS-485 / CAN (only Celeron 3965U) / Display Port / WLAN (only Celeron 3965U)	

Touch-it Front Panel glass

Product Information

POWER SUPPLY

Supply Voltage	24 VDC \pm 20%
Power Connector	Phoenix 3-pol MC 1,5/ 3-STF-3,5 BK (screwable) / Phoenix 3-pol MC 1,5/ 3-ST-3,5 BK

MECHANICAL & ENVIRONMENTAL

Cooling	Passive
Operating Temperature	0 ~ 50 °C
Storage Temperature	-10 ~ 70 °C
Humidity	5 ~ 80% (non condensing)
Protection Class	IP65 front, IP20 rear
Certification	CE, EN55032 Class A, EN55024

Never cover the device completely or build it in a small closed and unvented housing.

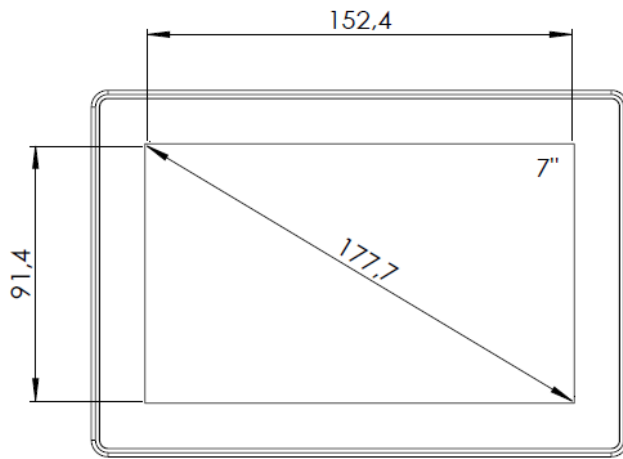
Touch-it Front Panel glass

Product Information

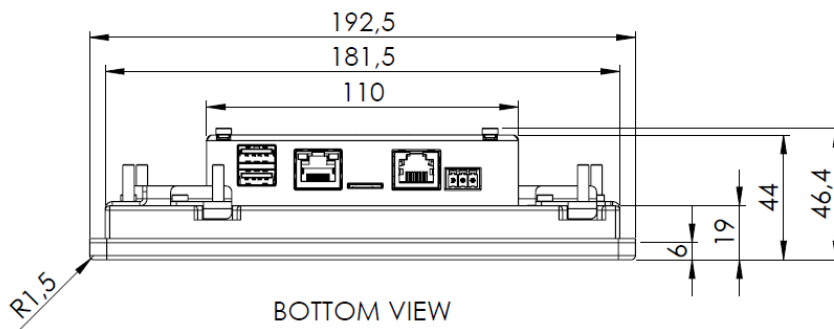
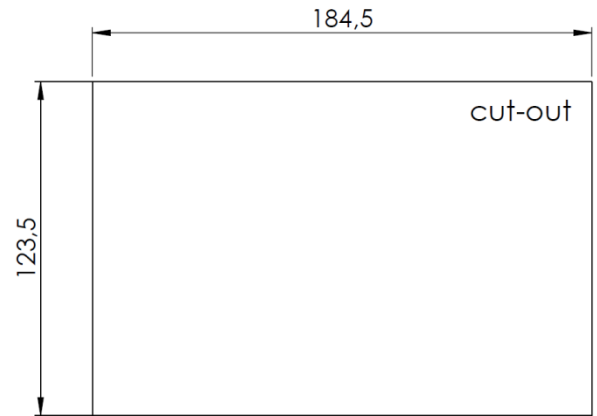
DIMENSIONS 7

Dimensions

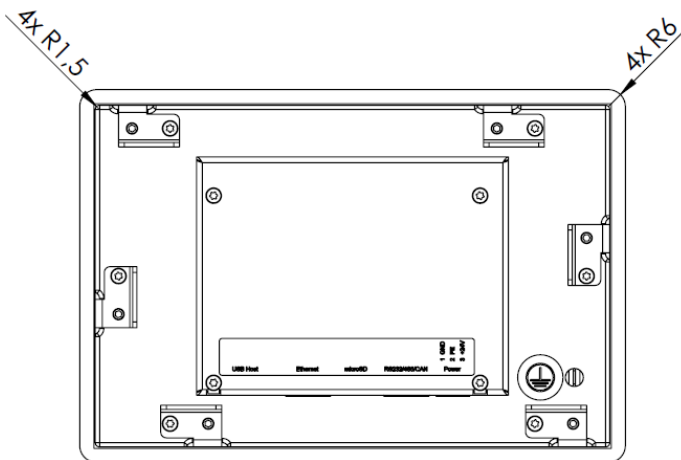
192.5 mm x 131.5 mm x 46.4 mm



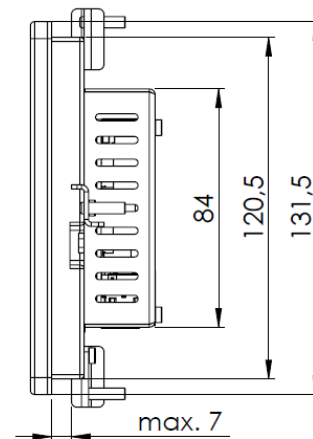
FRONT VIEW



BOTTOM VIEW



REAR VIEW



SIDE VIEW

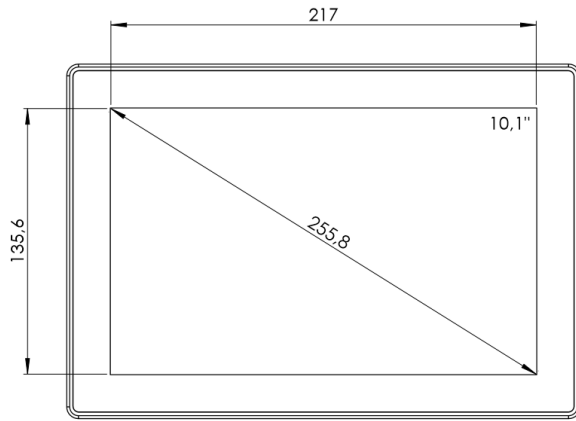
Touch-it Front Panel glass

Product Information

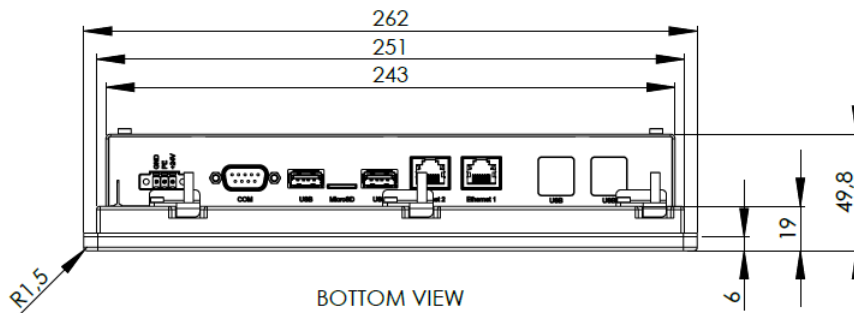
DIMENSIONS 10,1

Dimensions

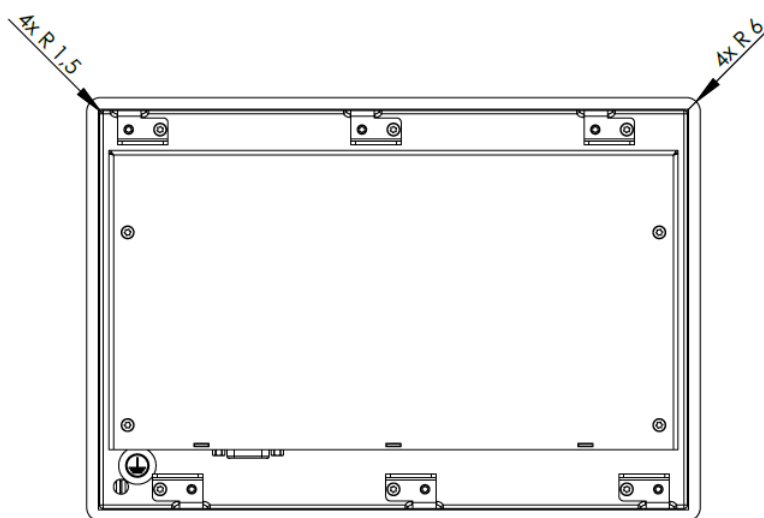
262.0 mm x 181.0 mm x 49.8 mm



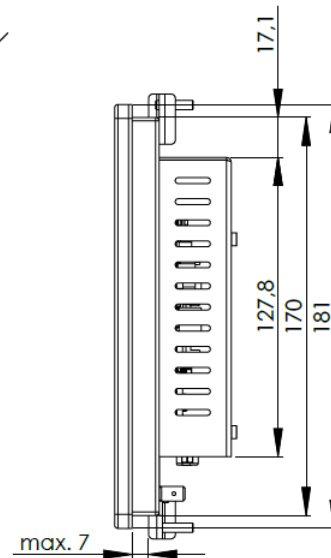
FRONT VIEW



BOTTOM VIEW



REAR VIEW



SIDE VIEW

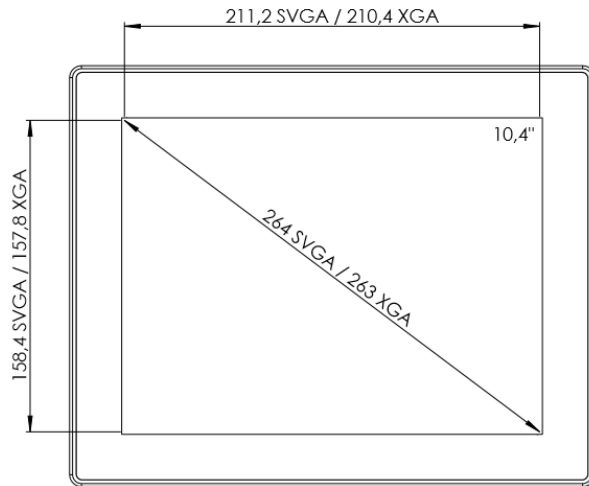
Touch-it Front Panel glass

Product Information

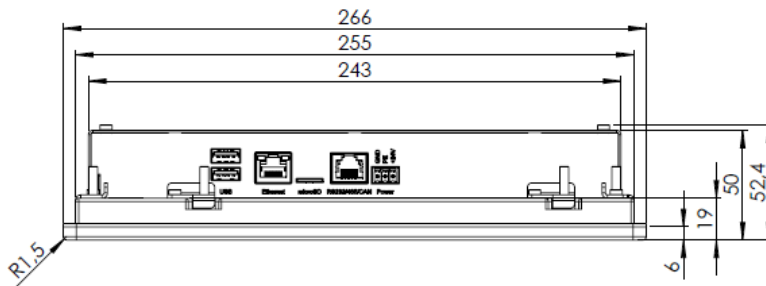
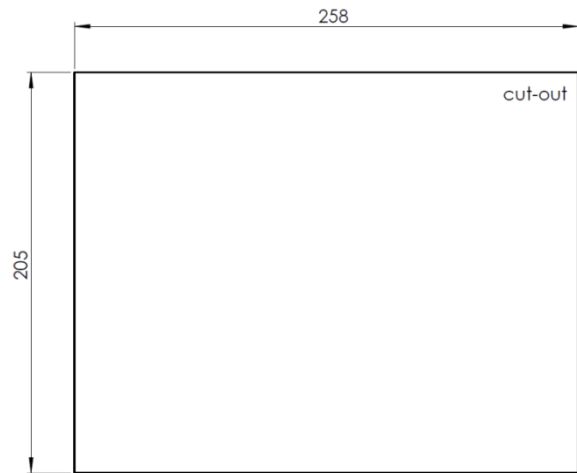
DIMENSIONS 10,4

Dimensions

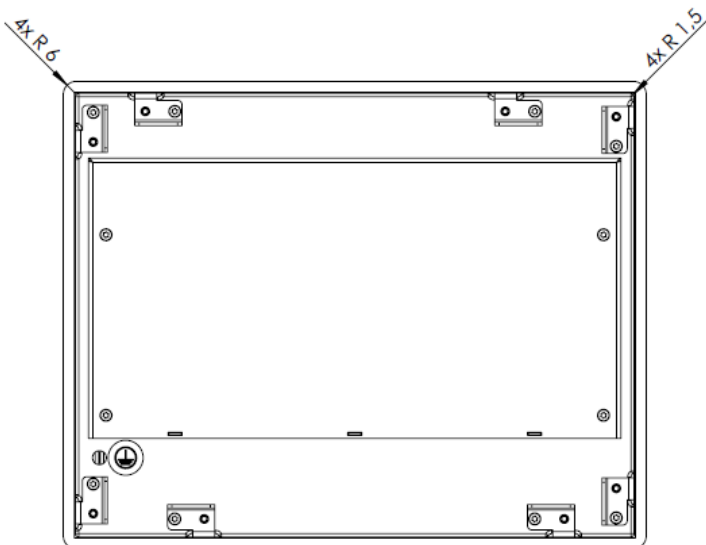
266.0 mm x 213.2 mm x 52.4 mm



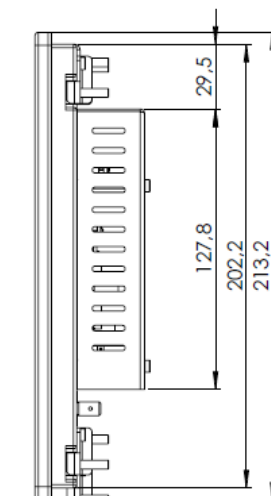
FRONT VIEW



BOTTOM VIEW



REAR VIEW



SIDE VIEW

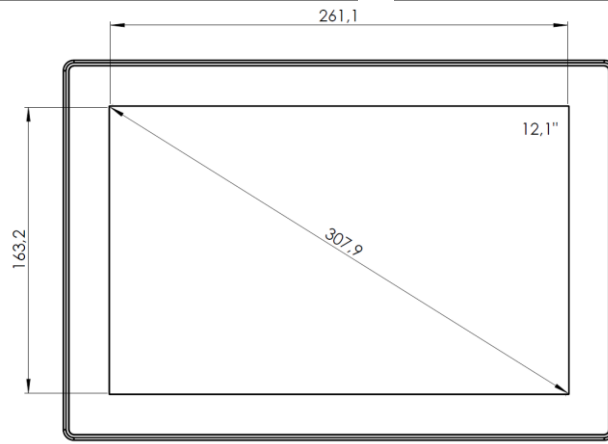
Touch-it Front Panel glass

Product Information

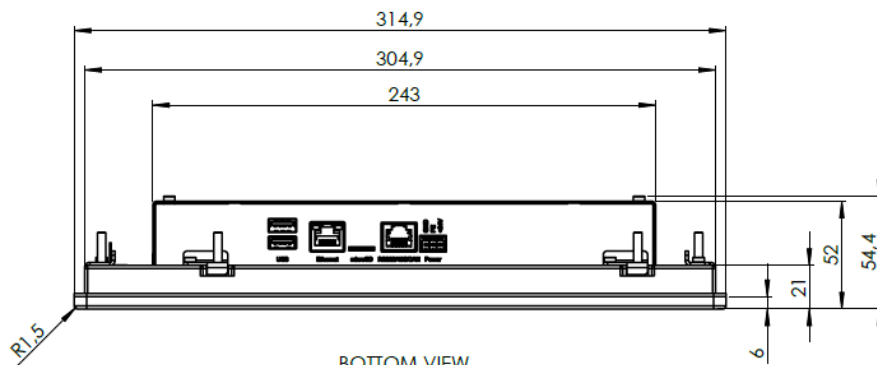
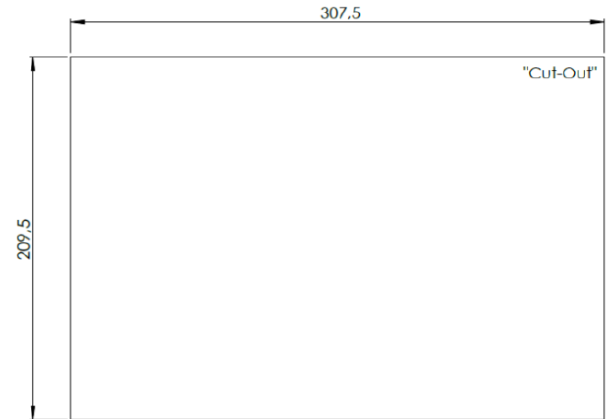
DIMENSIONS 12,1

Dimensions

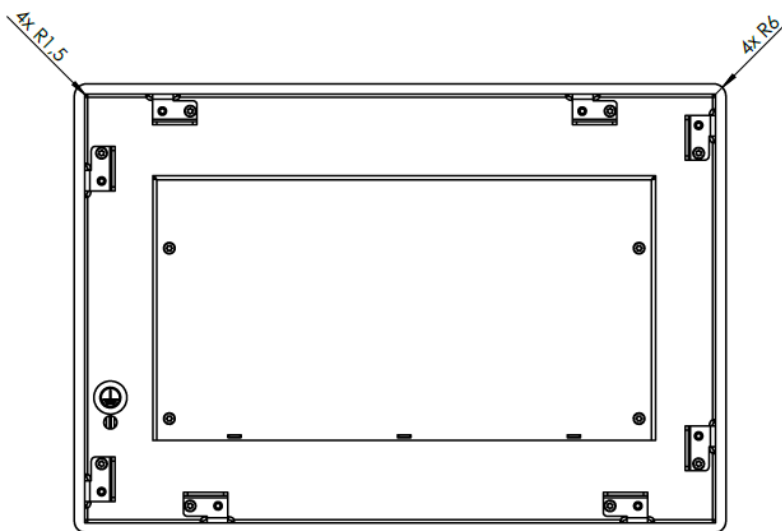
314.9 mm x 217.0 mm x 54.4 mm



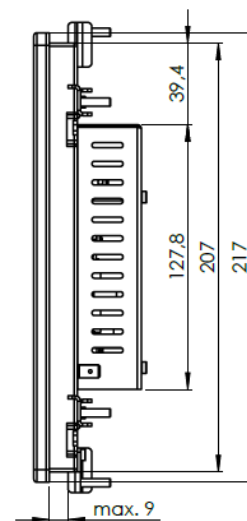
FRONT VIEW



BOTTOM VIEW



REAR VIEW



SIDE VIEW

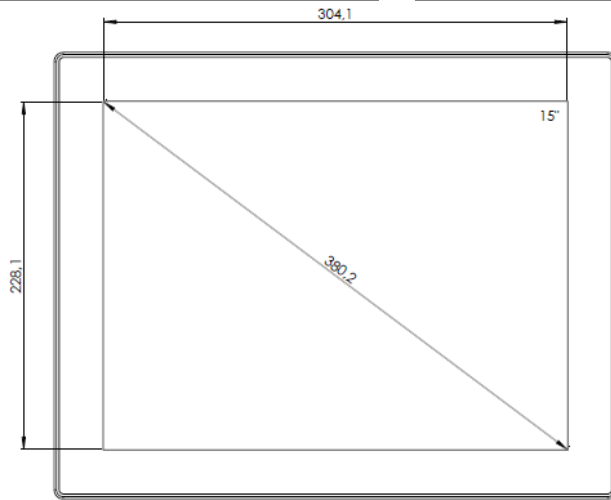
Touch-it Front Panel glass

Product Information

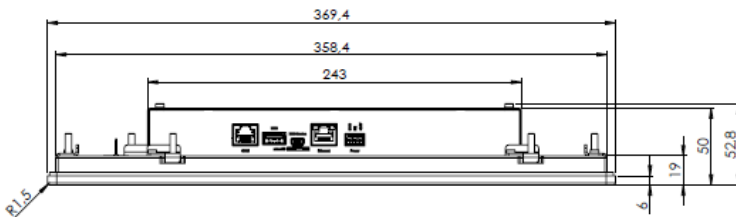
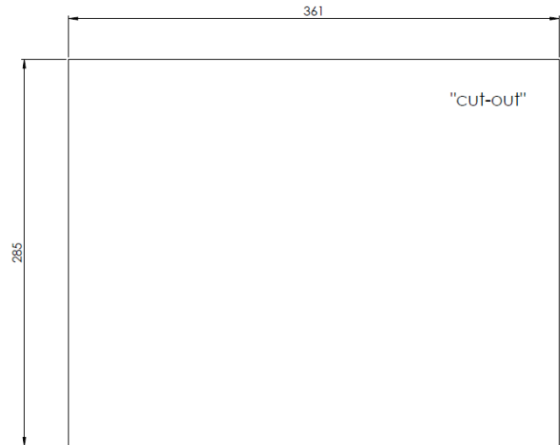
DIMENSIONS 15

Dimensions

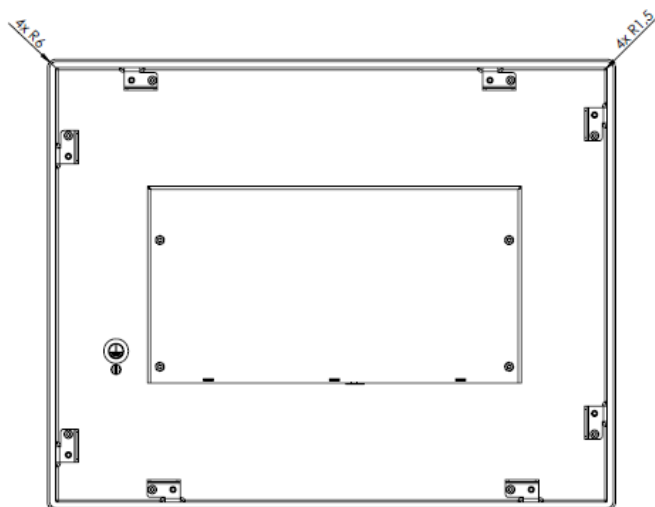
369.4 mm x 293.4 mm x 52.8 mm



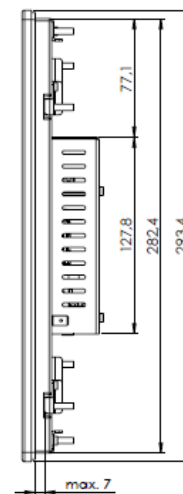
FRONT VIEW



FRONT VIEW



FRONT VIEW



FRONT VIEW

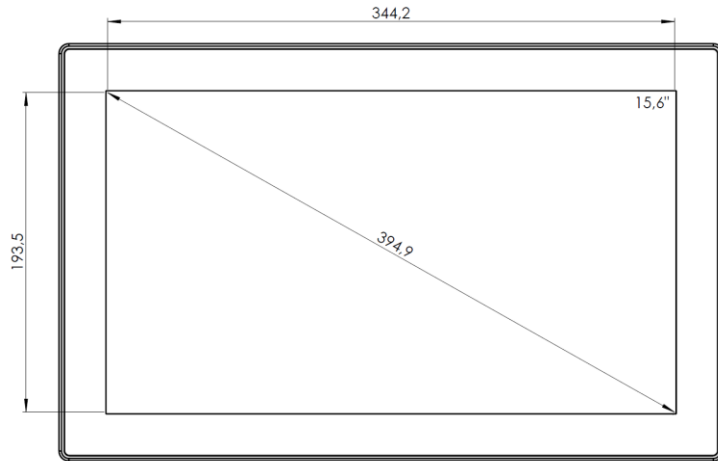
Touch-it Front Panel glass

Product Information

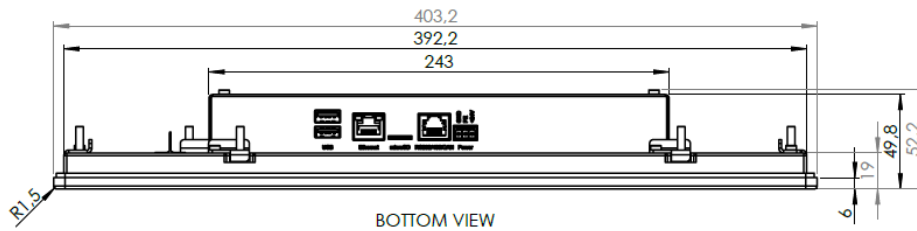
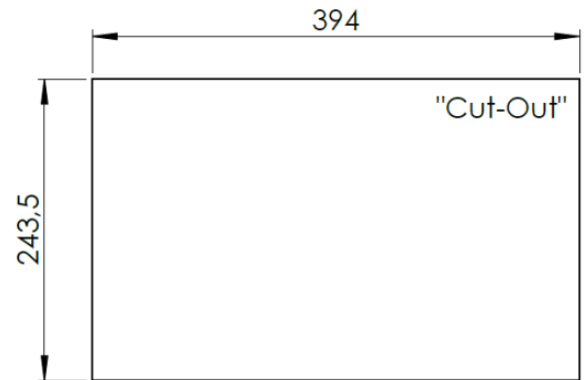
DIMENSIONS 15,6

Dimensions

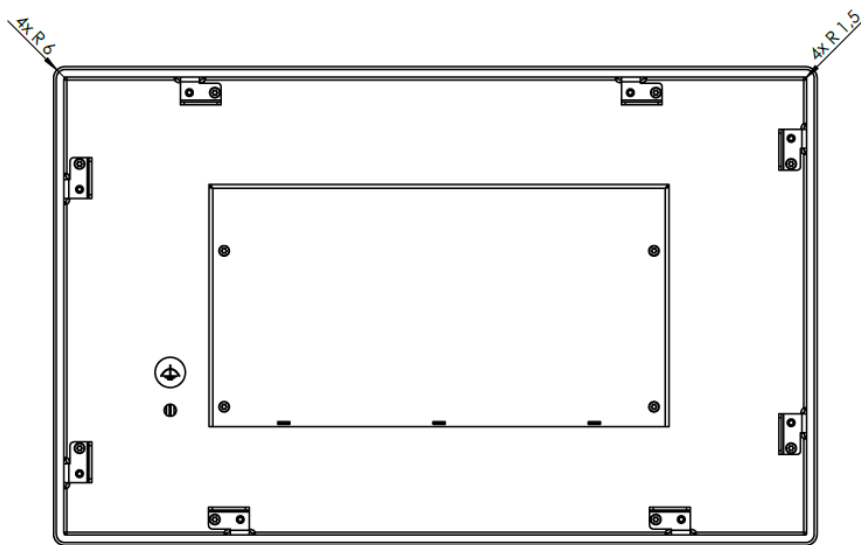
403.2 mm x 252.6 mm x 52. 2 mm



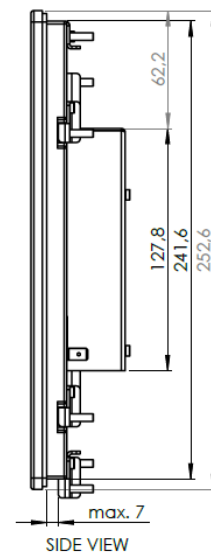
FRONT VIEW



BOTTOM VIEW



REAR VIEW



SIDE VIEW

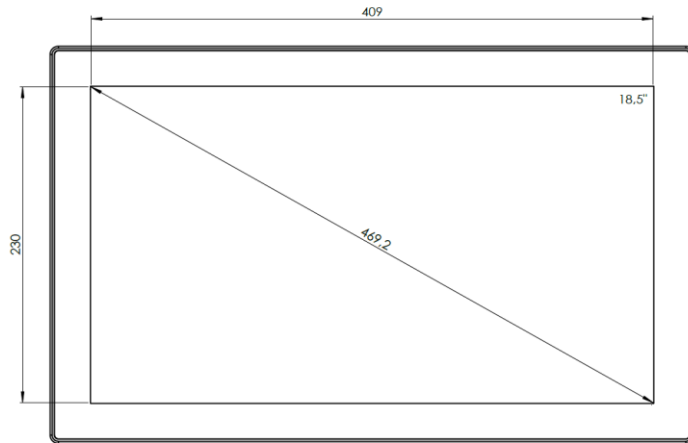
Touch-it Front Panel glass

Product Information

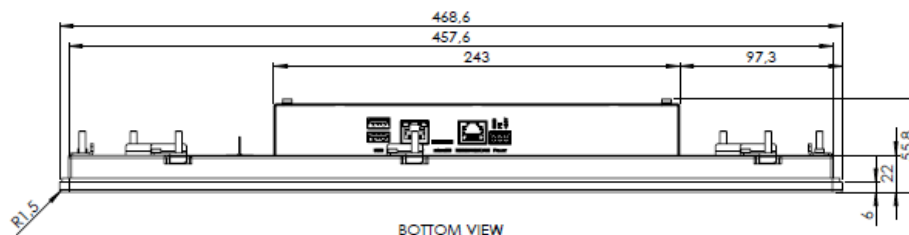
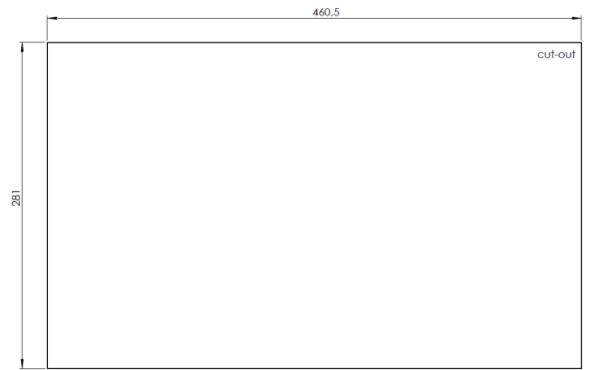
DIMENSIONS 18,5

Dimensions

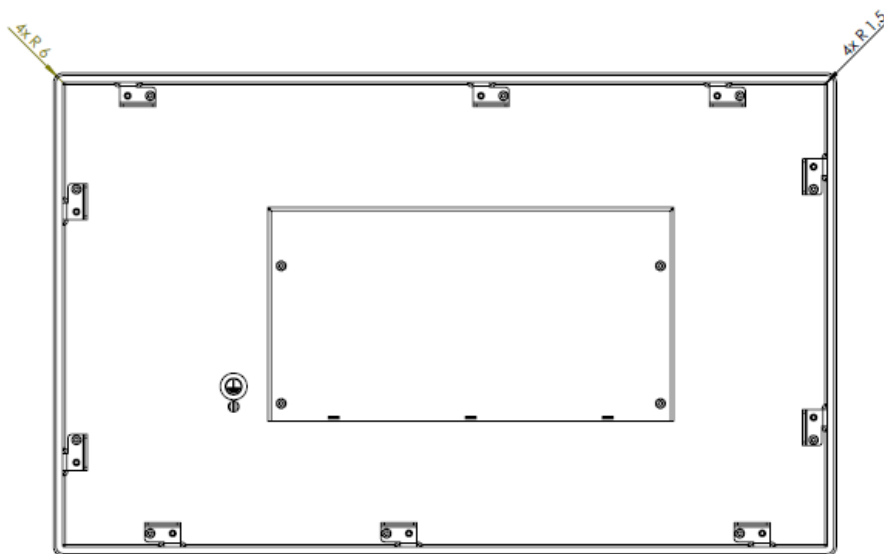
468.6 mm x 289.2 mm x 55.8 mm



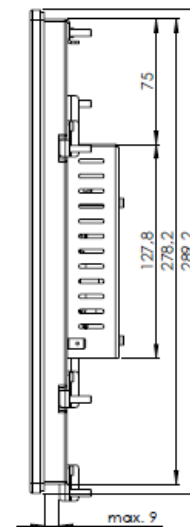
FRONT VIEW



BOTTOM VIEW



REAR VIEW



SIDE VIEW

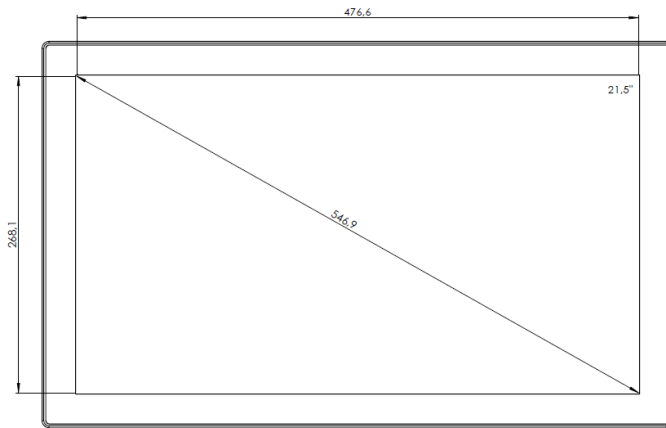
Touch-it Front Panel glass

Product Information

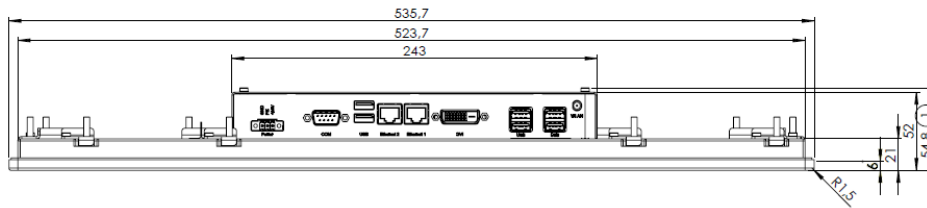
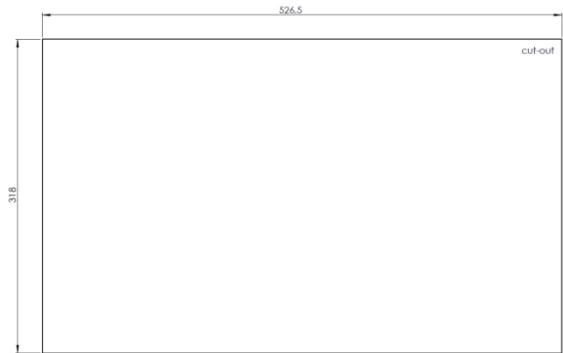
DIMENSIONS 21,5

Dimensions

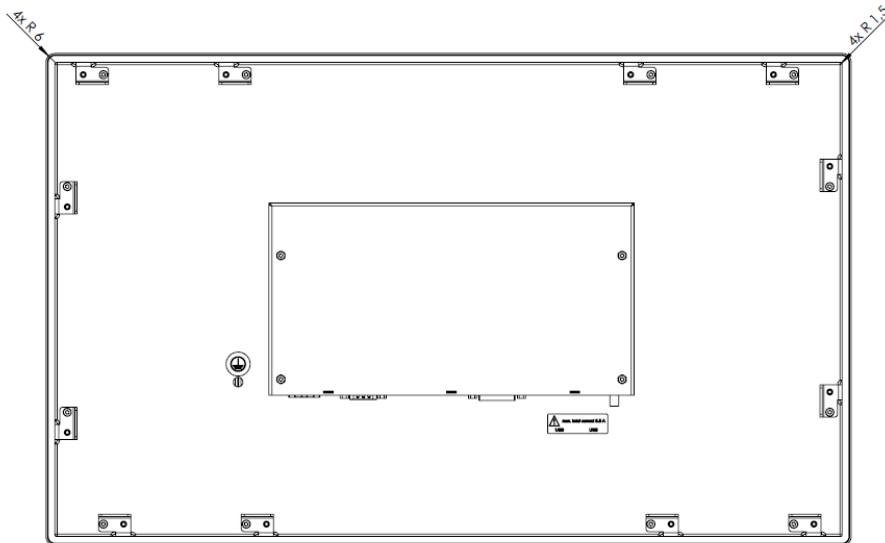
535.7 mm x 327.2 mm x 54.8 mm



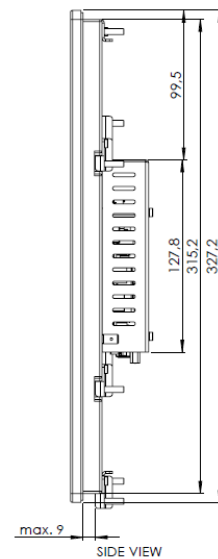
FRONT VIEW



BOTTOM VIEW



REAR VIEW



SIDE VIEW

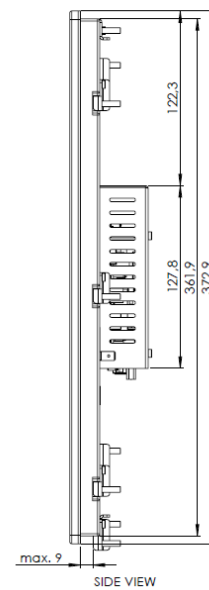
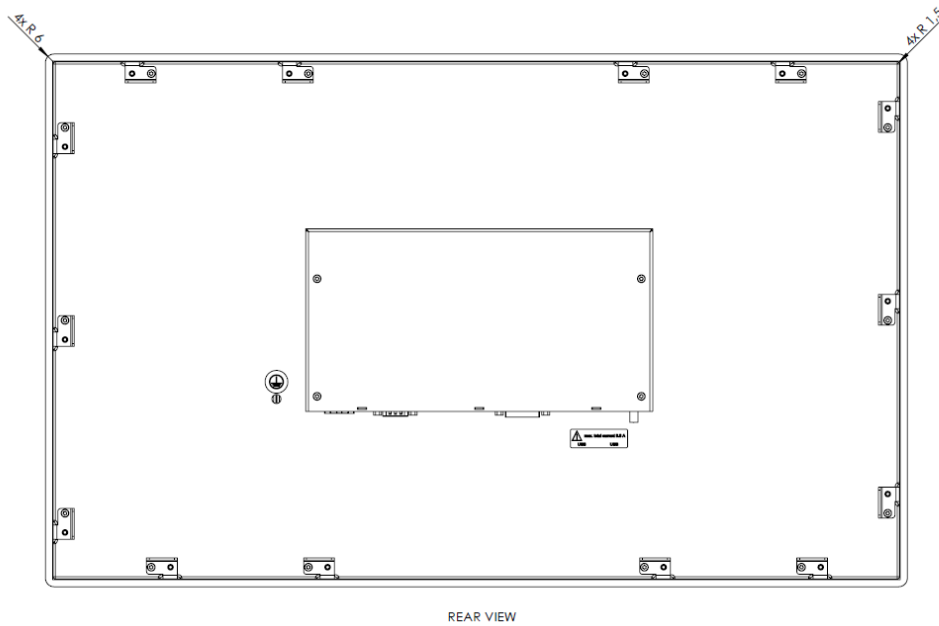
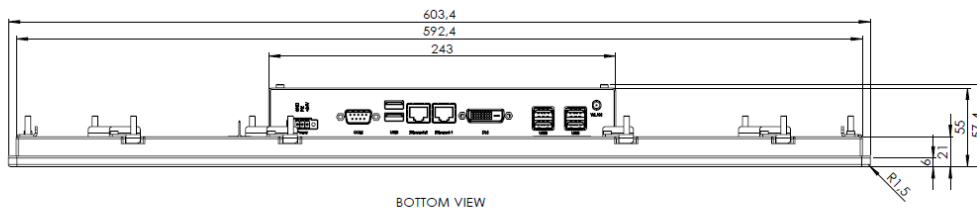
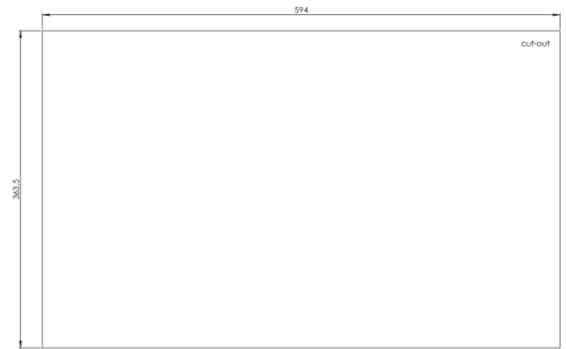
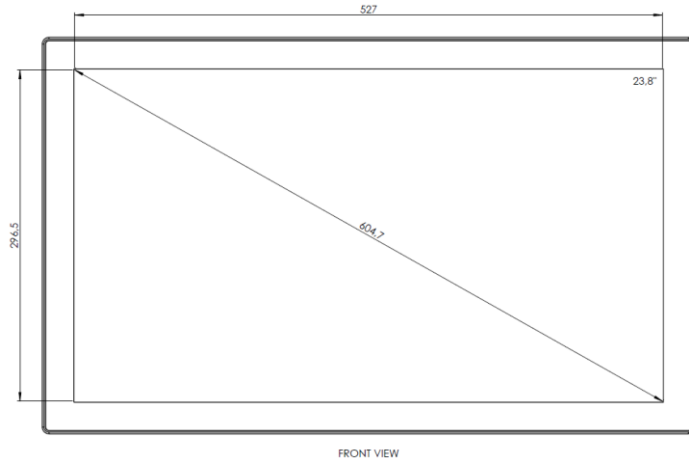
Touch-it Front Panel glass

Product Information

DIMENSIONS 23,8

Dimensions

603.4 mm x 372.9 mm x 57.4 mm



Touch-it Front Panel glass

Product Information

DISCLAIMER

Technical data are subject to modification and delivery subject to availability. Any liability that the data and illustrations are complete, actual or correct is excluded. Designations may be trademarks and/or copyrights of the respective manufacturer, the use of which by third parties for their own purposes may infringe the rights of such owner.



CHRIST ELECTRONIC SYSTEMS GMBH
MANUFACTURER OF INDUSTRIAL ELECTRONICS

CONTACT

Christ Electronic Systems GmbH
Alpenstraße 34
87700 Memmingen
Phone: +49 8331/ 83710
www.christ-es.de

FROM IDEAS TO REALITY

We are a German developer and manufacturer of innovative HMI-systems for demanding industrial applications. Christ offers an extensive range of

TOUCH PANEL PCs
TOUCH MONITORS
SINGLE BOARD COMPUTER
VISUALISATION SYSTEMS

|x86 & ARM
|7" – 24"
|Windows & Linux
|HMI & SCADA