

Touch-it VESA glass

Product Information

- Made in Germany
- Multitouch
- Aluminium Silver Housing
- Ultra Compact Design, Fanless
- VESA 75 / 100



Contents

Contents	1
1 Panel	2
2 System	2
2.1 Touch-it Monitor / SMART Monitor	2
2.2 Touch-it CE VESA	2
2.3 Touch-it XELO VESA	3
3 Power Supply	3
4 Mechanical & Environmental	3
5 Dimensions	4
5.1 Dimensions 7"	4
5.2 Dimensions 10,1"	5
5.3 Dimensions 10,4"	6
5.4 Dimensions 12,1"	7
5.5 Dimensions 15"	8
5.6 Dimensions 15,6"	9
5.7 Dimensions 18,5"	10
5.8 Dimensions 21,5"	11
5.9 Dimensions 23,8"	12

Touch-it VESA glass

Product Information

1 Panel

LCD Size	7.0 inch (17.8 cm)		10.1 inch (25.7 cm)		10.4 inch (26.4 cm)	
Resolution	800 x 480		1280 x 800		800 x 600	1024 x 768
Aspect Ratio	5 : 3		16 : 10		4 : 3	
Backlight Life Time	30,000 h		50,000 h		20,000 h	30,000 h
Luminance*	500 cd/m ²		500 cd/m ²	1000 cd/m ²	400 cd/m ²	350 cd/m ²
LCD Size	12.1 inch (30.7 cm)		15.0 inch (38.1 cm)		15.6 inch (39.6 cm)	
Resolution	1280 x 800		1024 x 768		1366 x 768	1920 x 1080
Aspect Ratio	16 : 10		4 : 3		16 : 9	
Backlight Life Time	50,000 h		50,000 h		50,000 h	70,000 h
Luminance*	400 cd/m ²		400 cd/m ²		400 cd/m ²	
LCD Size	18.5 inch (47.0 cm)		21.5 inch (54.6 cm)		23.8 inch (60.5 cm)	
Resolution	1366 x 768	1920 x 1080	1920 x 1080		1920 x 1080	
Aspect Ratio	16 : 9		16 : 9		16 : 9	
Backlight Life Time	50,000 h		30,000 h	50,000 h	30,000 h	
Luminance*	300 cd/m ²	350 cd/m ²	250 cd/m ²	300 cd/m ²	250 cd/m ²	

* The values are referring to the displays only.

Touch	Projected Capacitive Touch, Anti-Glare (optional), Multitouch
-------	---

2 System

2.1 Touch-it Monitor / SMART Monitor

	Monitor	SMART Monitor
Graphic	Up to 7 m	Up to 100 m
Video Decoder	USB 2.0 (Type A, B) / Ethernet (only SMART Monitor) / HDMI (only Monitor) / DVI (only Monitor)	

2.2 Touch-it CE VESA

CPU	NXP i.MX6DL, DualCore 1 GHz	NXP i.MX6Q IT, Quad Core
Memory	1 GB DDR3 RAM	
Storage	4 GB eMMC FLASH	
Operating System	Linux Embedded	
Interfaces	USB 2.0 (Type A) / Ethernet / RS-232 / RS-485 / CAN	

Touch-it VESA glass

Product Information

2.3 Touch-it XELO VESA

CPU	AMD® GX-415GA Quad Core™ 1.5 GHz 64 Bit, 2 MB Cache	Intel® Core™ i5-5350U Dual Core 1.8 GHz 64 Bit, 3 MB Cache	Intel® Core™ i5-7300U Dual Core 2.6 GHz 64 Bit, 4 MB Cache
Memory	4 GB DDR3L / 8 GB DDR3L / 16 GB DDR3L (i5 only)		4 GB DDR4L / 8 GB DDR4L / 16 GB DDR4L / 32 GB DDR4L
Storage	32 / 64 / 128 / 256 / 512 GB MLC SSD / up to 1 TB HDD		
Operating System	Windows / Linux		
Interfaces	USB 2.0 (Type A) / USB 3.0 (Type A) / Ethernet / RS-232 / RS-485 / CAN / DVI (only GX-415 and i5-5350U) / Display Port (only i5-7300U) / Headphone Connector / WLAN		

CPU	Intel® Core Celeron N3350 Dual Core (1.1/2.4 GHz)	Intel® Core Celeron 3965U 2.2 GHz
Memory	4 GB DDR3L / 8 GB DDR3L SO-DIMM	4 GB DDR4 / 8 GB DDR4 / 16 GB DDR4 / 32 GB DDR4-2133 SO-DIMM
Storage	32 / 64 / 128 / 256 GB MLC SSD	
Operating System	Windows / Linux	
Interfaces	USB 3.0 (Type A) / Ethernet / RS-232 / RS-485 / CAN (only Celeron 3965U) / Display Port / WLAN (only Celeron 3965U)	

3 Power Supply

Supply Voltage	24 VDC ± 20 %
Power Connector	Phoenix 3-pol MC 1,5/ 3-STF-3,5 BK (screwable) / Phoenix 3-pol MC 1,5/ 3-ST-3,5 BK

4 Mechanical & Environmental

Mounting	VESA MIS-D, 75, C VESA MIS-D, 100, C
Cooling	Passive
Operating Temperature	0 ~ 50 °C
Storage Temperature	-10 ~ 70 °C
Humidity	5 ~ 80% (non condensing)
Protection Class	IP65 front, IP20 rear
Certification	CE, EN55032 Class A, EN55024

Never cover the device completely or build it in a small closed and unvented housing.

Touch-it VESA glass

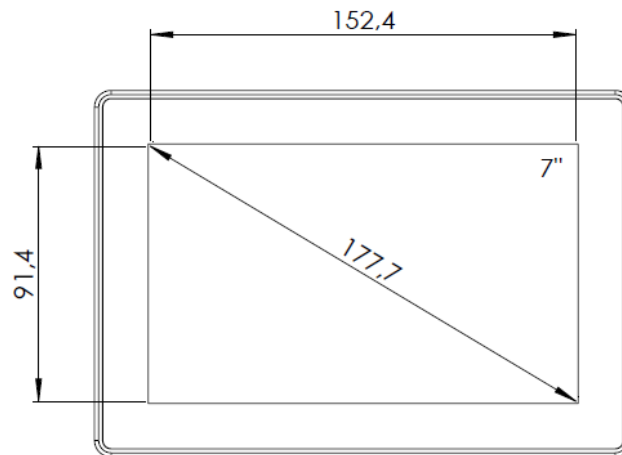
Product Information

5 Dimensions

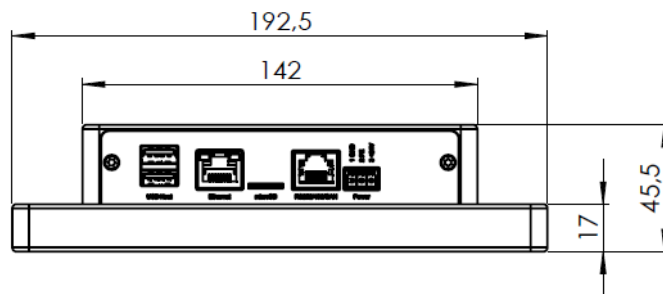
The following values of the dimensions are only examples.

5.1 Dimensions 7"

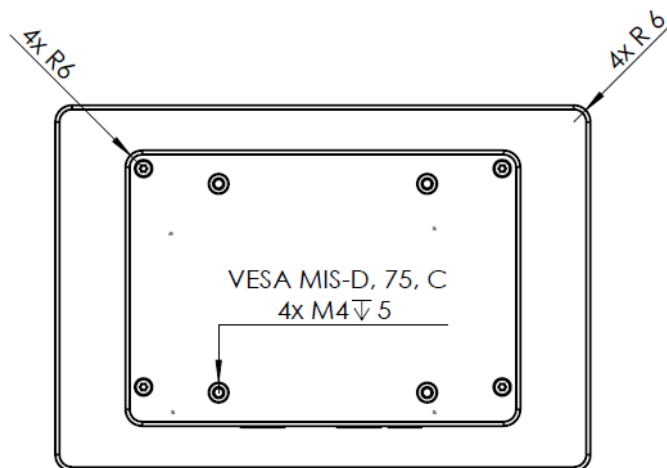
Dimensions	192.5 mm x 131.5 mm x 45.5 mm
------------	-------------------------------



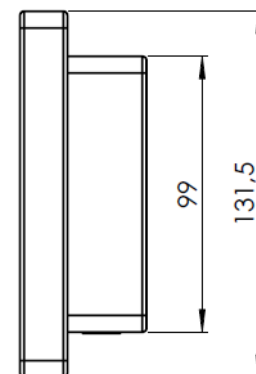
FRONT VIEW



BOTTOM VIEW



REAR VIEW



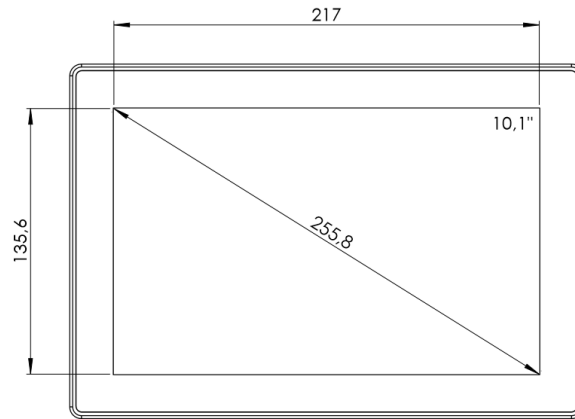
SIDE VIEW

Touch-it VESA glass

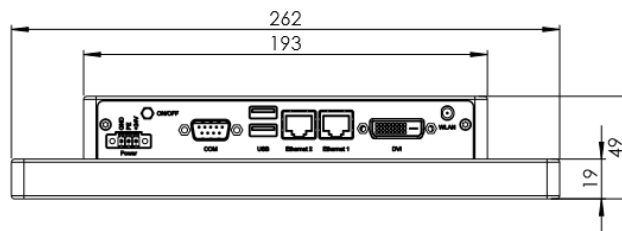
Product Information

5.2 Dimensions 10,1"

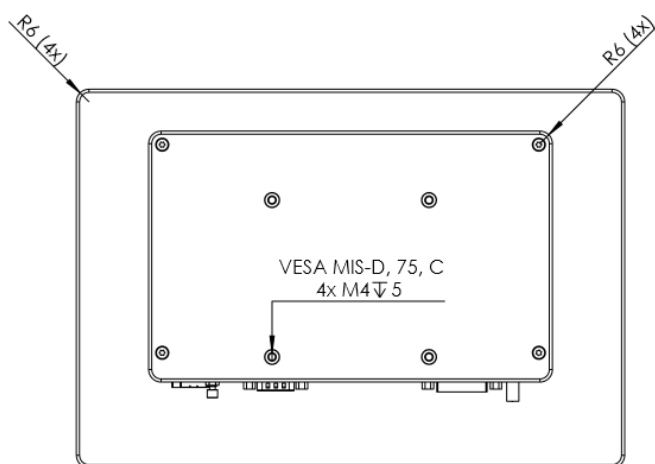
Dimensions	262.0 mm x 181.0 mm x 49.0 mm
-------------------	-------------------------------



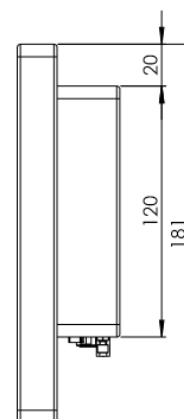
FRONT VIEW



BOTTOM VIEW



REAR VIEW



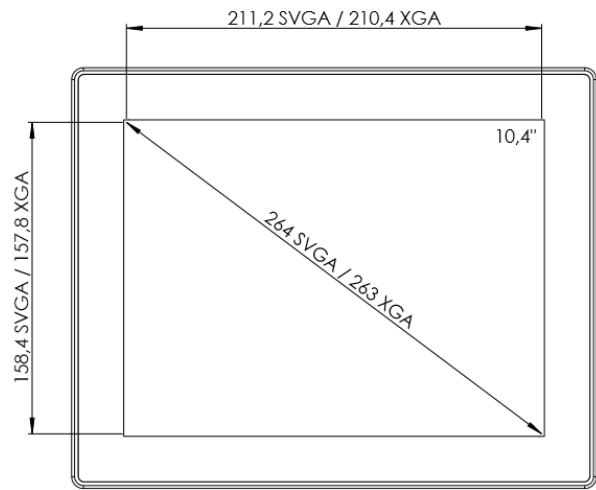
SIDE VIEW

Touch-it VESA glass

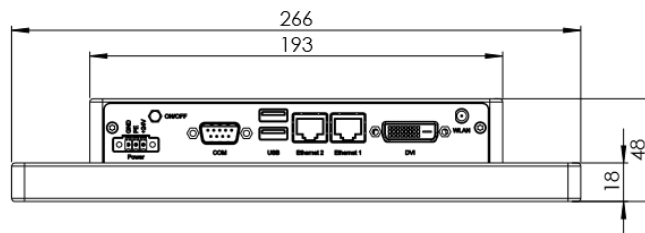
Product Information

5.3 Dimensions 10,4"

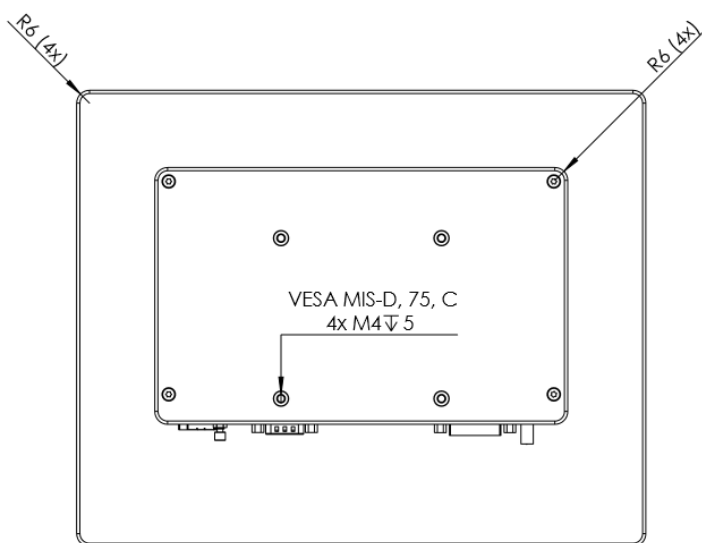
Dimensions	266.0 mm x 213.2 mm x 48.0 mm
-------------------	-------------------------------



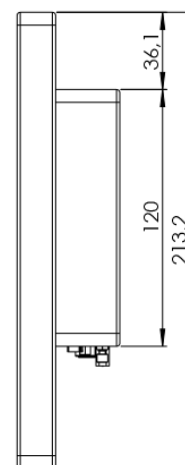
FRONT VIEW



BOTTOM VIEW



REAR VIEW



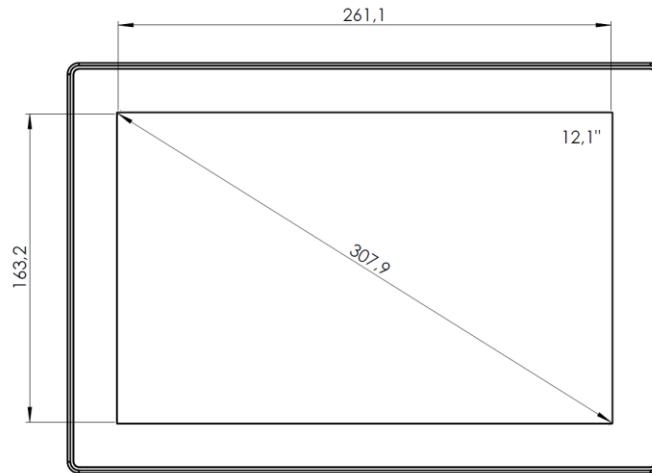
SIDE VIEW

Touch-it VESA glass

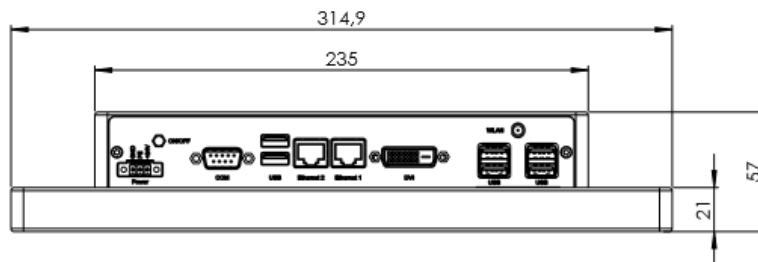
Product Information

5.4 Dimensions 12,1"

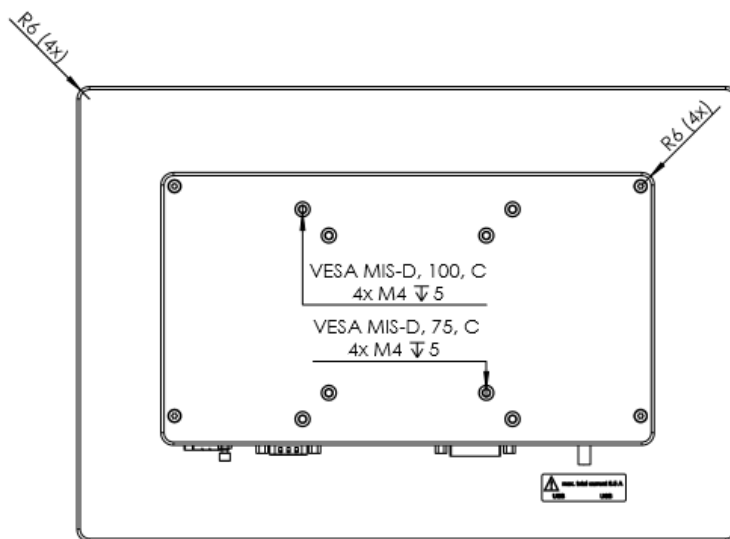
Dimensions	314.9 mm x 217.0 mm x 57.0 mm
-------------------	-------------------------------



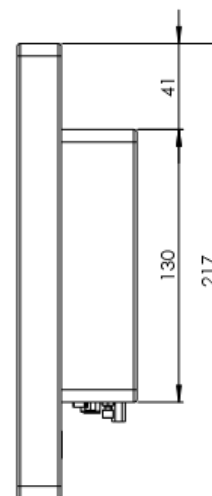
FRONT VIEW



BOTTOM VIEW



REAR VIEW



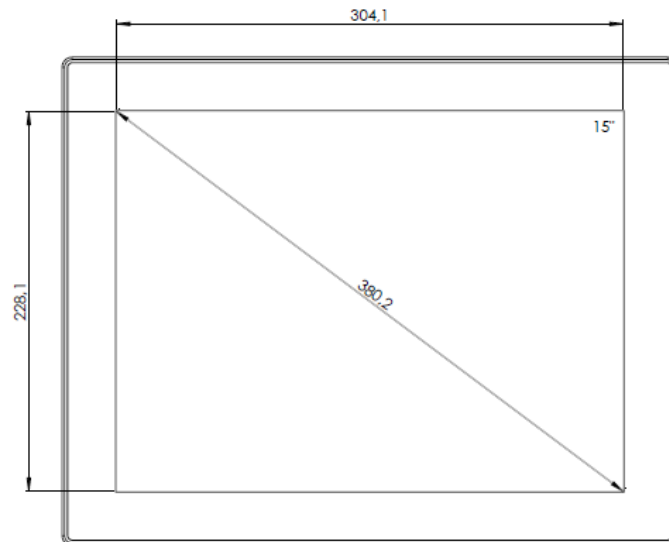
SIDE VIEW

Touch-it VESA glass

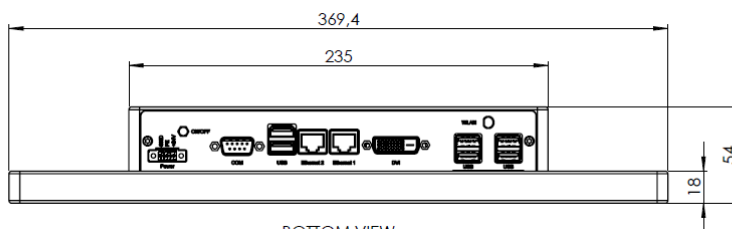
Product Information

5.5 Dimensions 15"

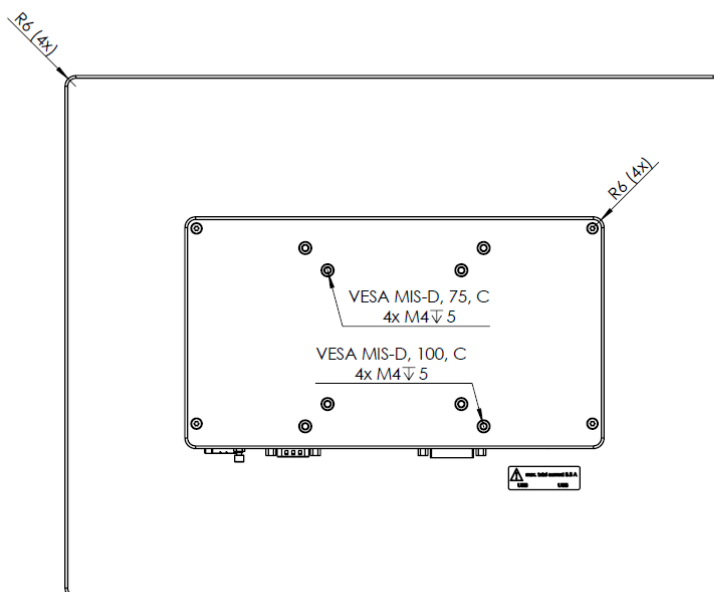
Dimensions	369.4 mm x 293.4 mm x 54.0 mm
------------	-------------------------------



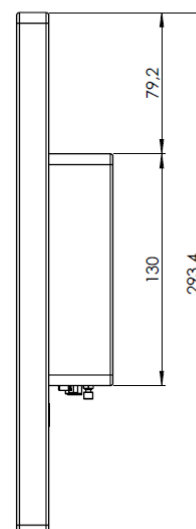
FRONT VIEW



BOTTOM VIEW



REAR VIEW



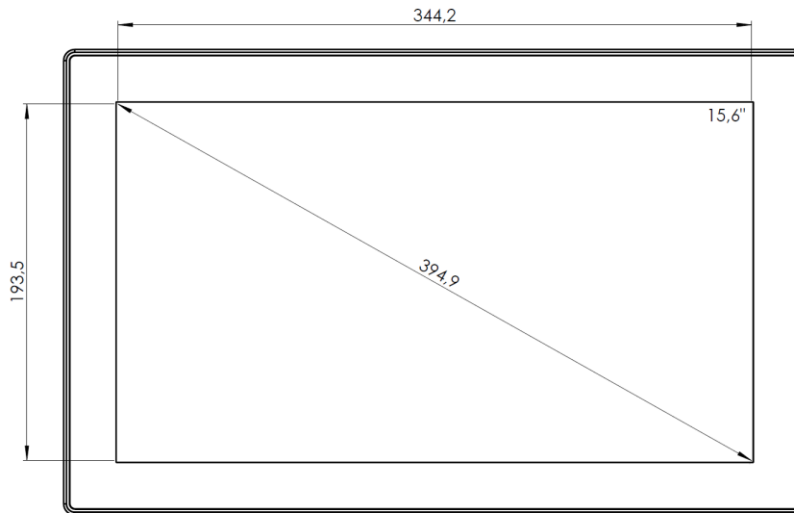
SIDE VIEW

Touch-it VESA glass

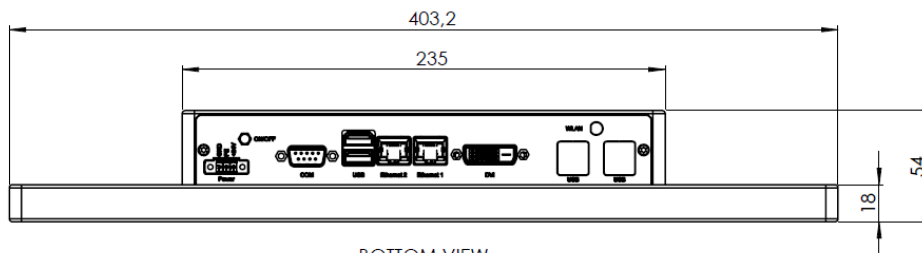
Product Information

5.6 Dimensions 15,6"

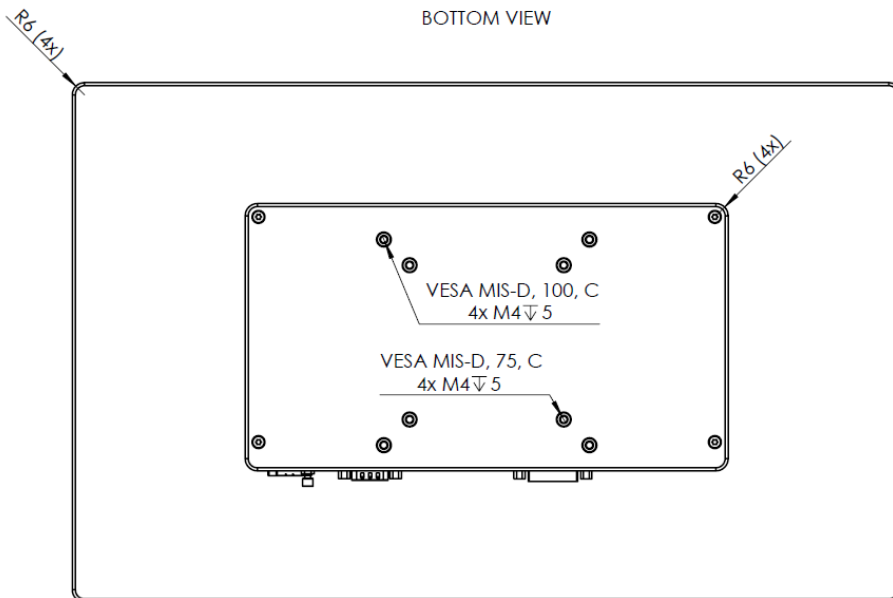
Dimensions	403.2 mm x 252.6 mm x 45.0 mm
------------	-------------------------------



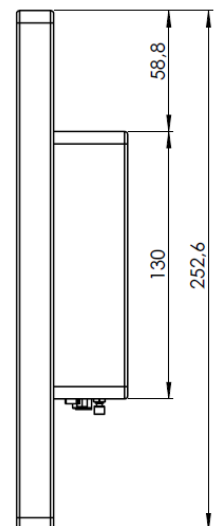
FRONT VIEW



BOTTOM VIEW



REAR VIEW



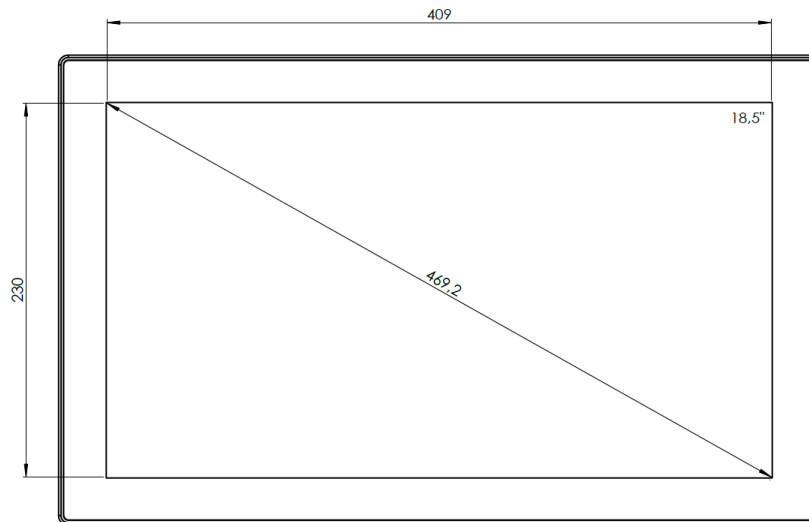
SIDE VIEW

Touch-it VESA glass

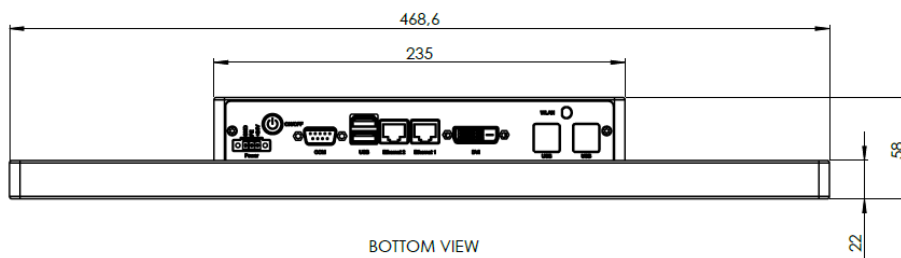
Product Information

5.7 Dimensions 18,5"

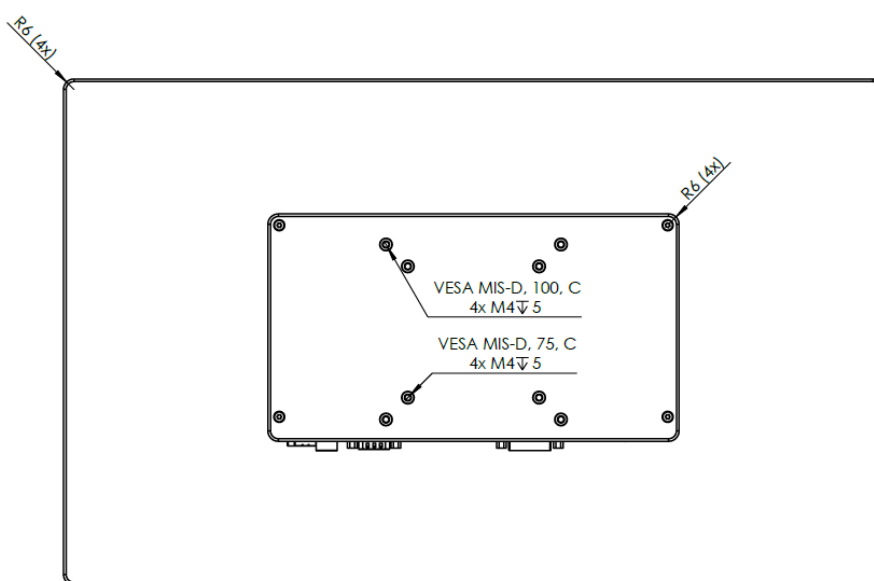
Dimensions	468.6 mm x 289.2 mm x 58.0 mm
------------	-------------------------------



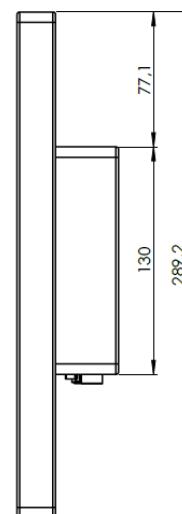
FRONT VIEW



BOTTOM VIEW



REAR VIEW



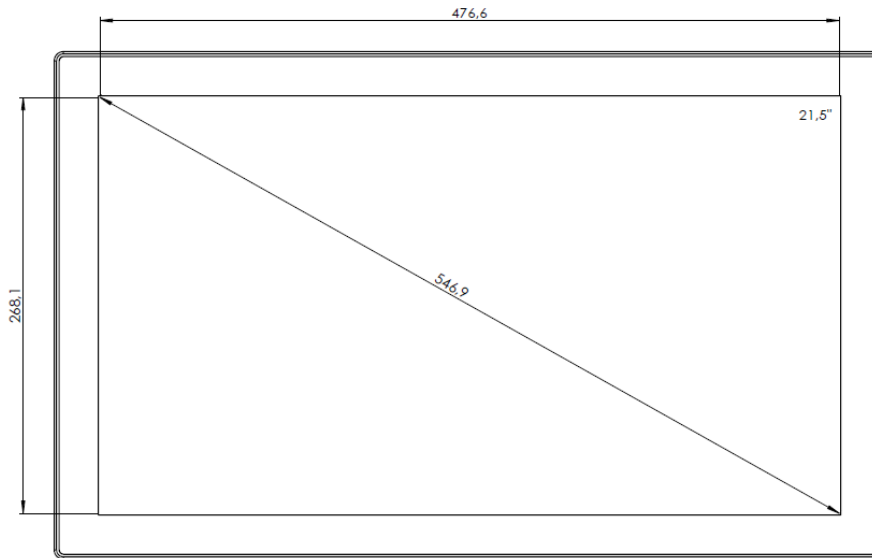
SIDE VIEW

Touch-it VESA glass

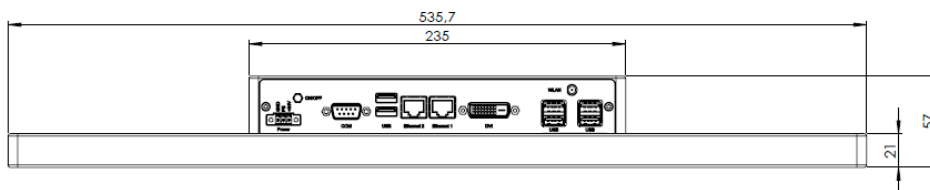
Product Information

5.8 Dimensions 21,5"

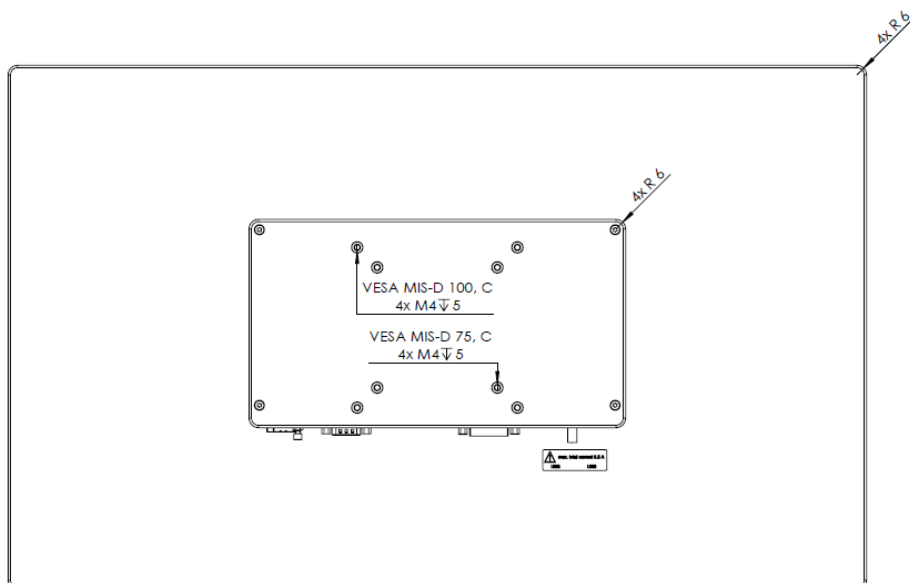
Dimensions	535.7 mm x 327.2 mm x 57.0 mm
-------------------	-------------------------------



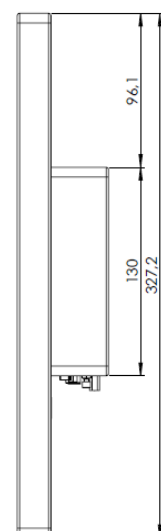
FRONT VIEW



BOTTOM VIEW



REAR VIEW



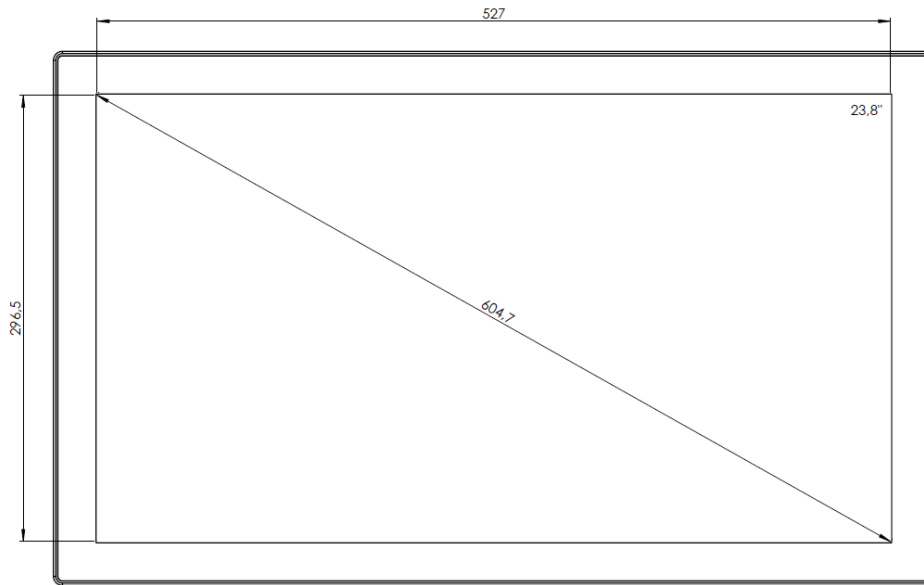
SIDE VIEW

Touch-it VESA glass

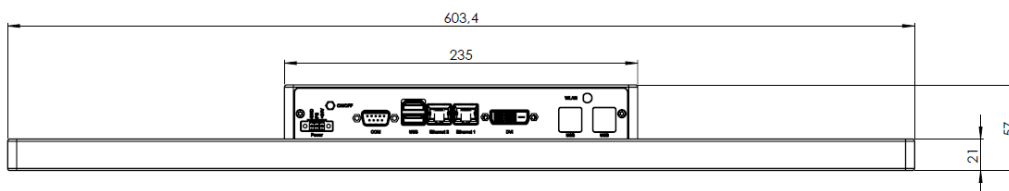
Product Information

5.9 Dimensions 23,8"

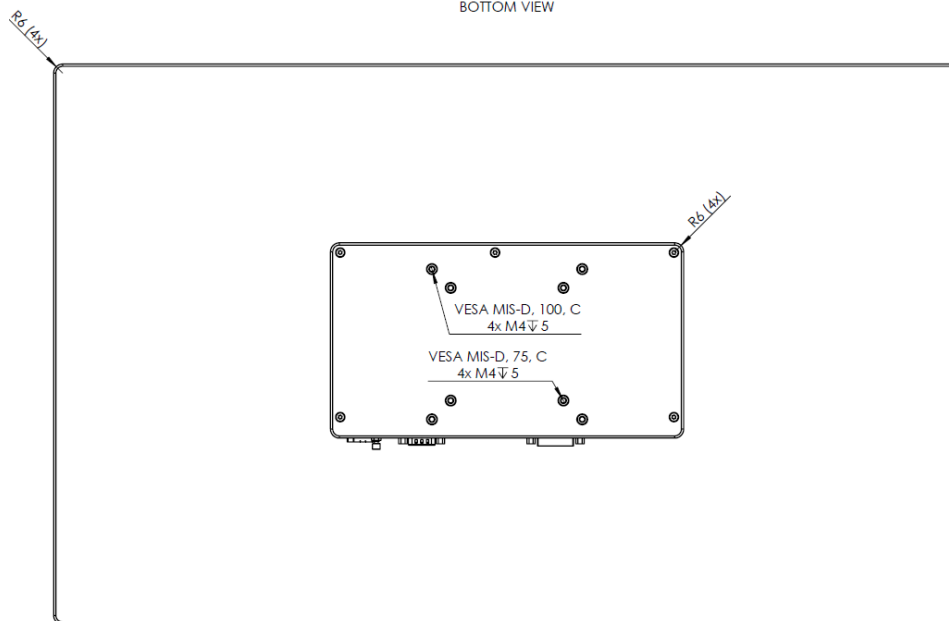
Dimensions	603.4 mm x 372.9 mm x 57.0 mm
------------	-------------------------------



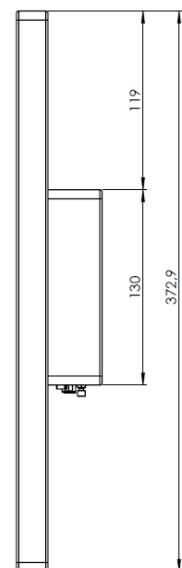
FRONT VIEW



BOTTOM VIEW



REAR VIEW



SIDE VIEW

Touch-it VESA glass

Product Information

Disclaimer

Technical data are subject to modification and delivery subject to availability. Any liability that the data and illustrations are complete, actual or correct is excluded. Designations may be trademarks and/or copyrights of the respective manufacturer, the use of which by third parties for their own purposes may infringe the rights of such owner.

Contact

Christ Electronic Systems GmbH
Alpenstraße 34
87700 Memmingen

Phone:
+49 8331 8371-0 (Main Office)
+49 8331 8371-500 (Service)

Mail:
info@christ-es.de

Homepage:
<https://www.christ-es.com>

© Christ Electronic Systems GmbH