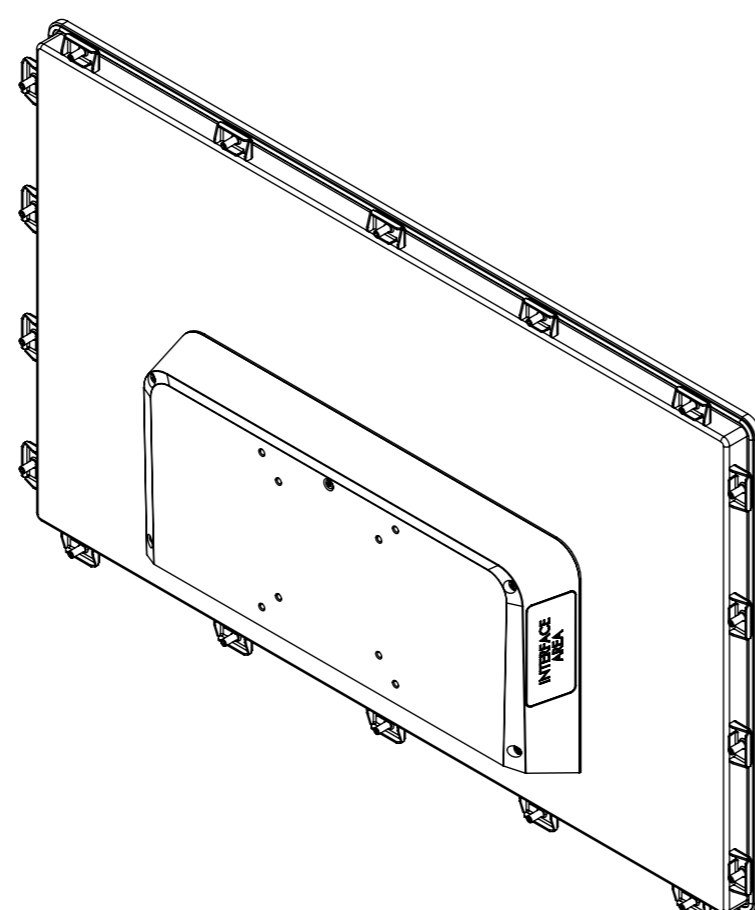
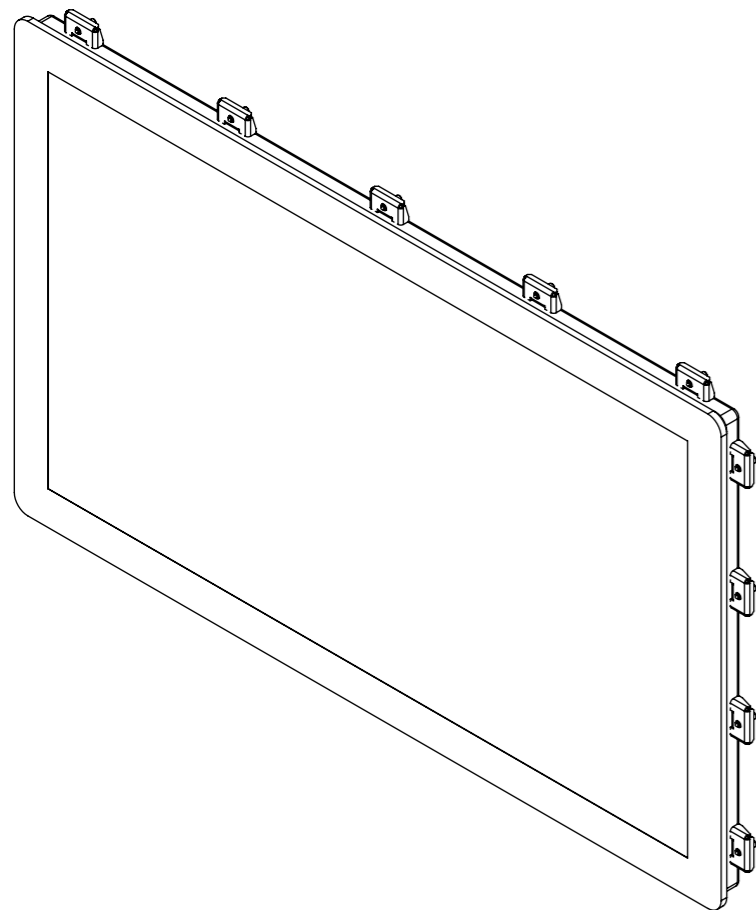
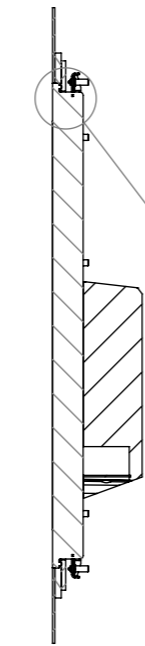
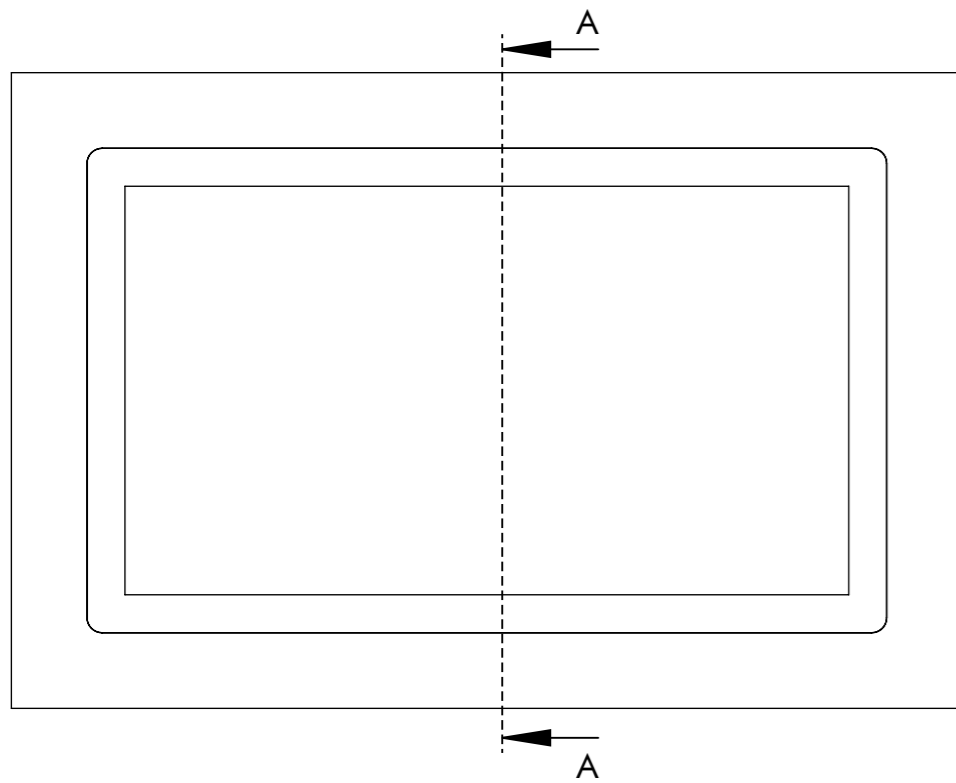


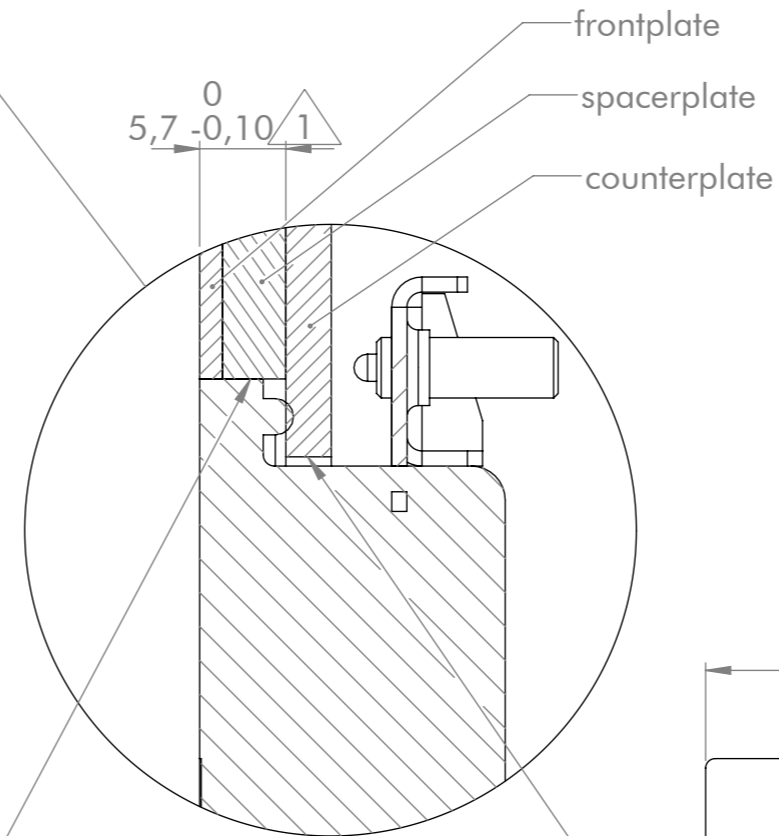
1 The earthing lug has been rotated by 90°.



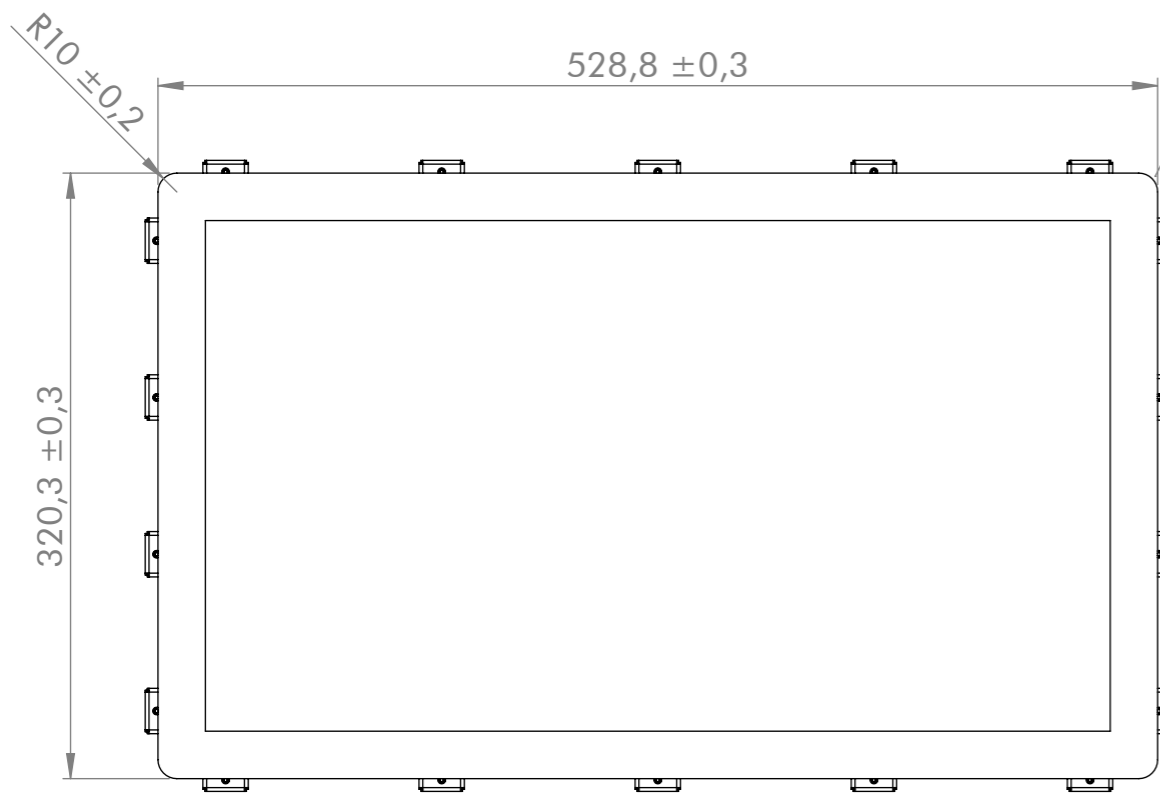
General tolerances DIN ISO 2768-mK			Drawn by: JT	Drawing for mechanical measurements only. For more details see datasheet.	
Document type: general arrangement drawing			Proved by: CH	Article designation: Touch Industrial Open Frame 21.5	
			Release date: 2024-12-09	Drawing number: PA10010883	
				Scale: 1:4	
01	2024-11-27	TN		Page: 1/2	
Rev.	Date	Name			A3
Proprietary notice ISO 16016 to be considered					



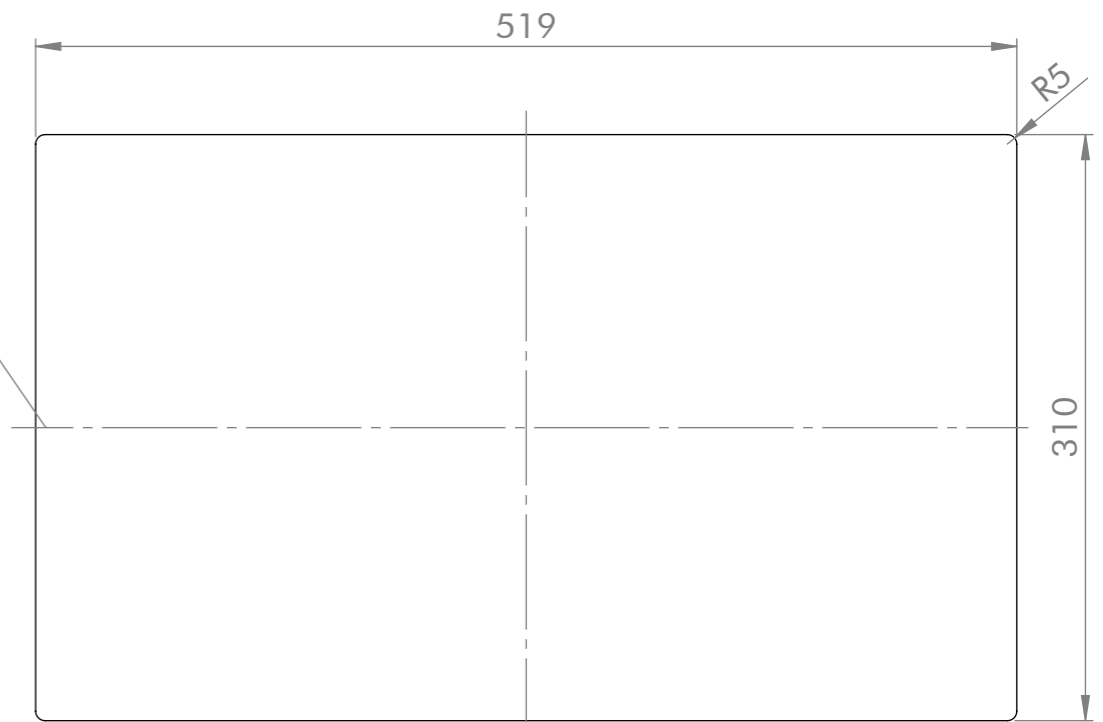
A-A (1 : 5)



DETAIL B
SCALE 2 : 1



cut-out front- & spacerplate*



cut-out counterplate

* The actual cut-out-dimensions of the front- and spacerplate need to be subjected to the prevalent assembly situation (production tolerances, ambient temperature, etc.) and therefore to be defined by the customer.

1 IP protection compliance has to be verified by the customer after assembly.

General tolerances DIN ISO 2768-mK		Drawn by: JT	Drawing for mechanical measurements only. For more details see datasheet.	
Document type: general arrangement drawing		Proved by: CH	Article designation: Touch Industrial Open Frame 21.5	
		Release date: 2024-12-09		
			Drawing number: PA10010883	Scale: 1:4
01	2024-11-27		TN	Page: 2/2
Rev.	Date	Name	A3	
Proprietary notice ISO 16016 to be considered				