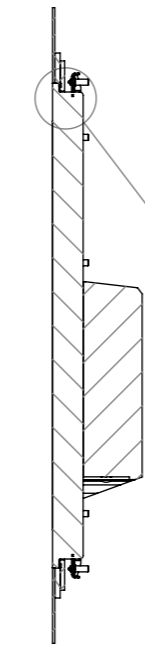
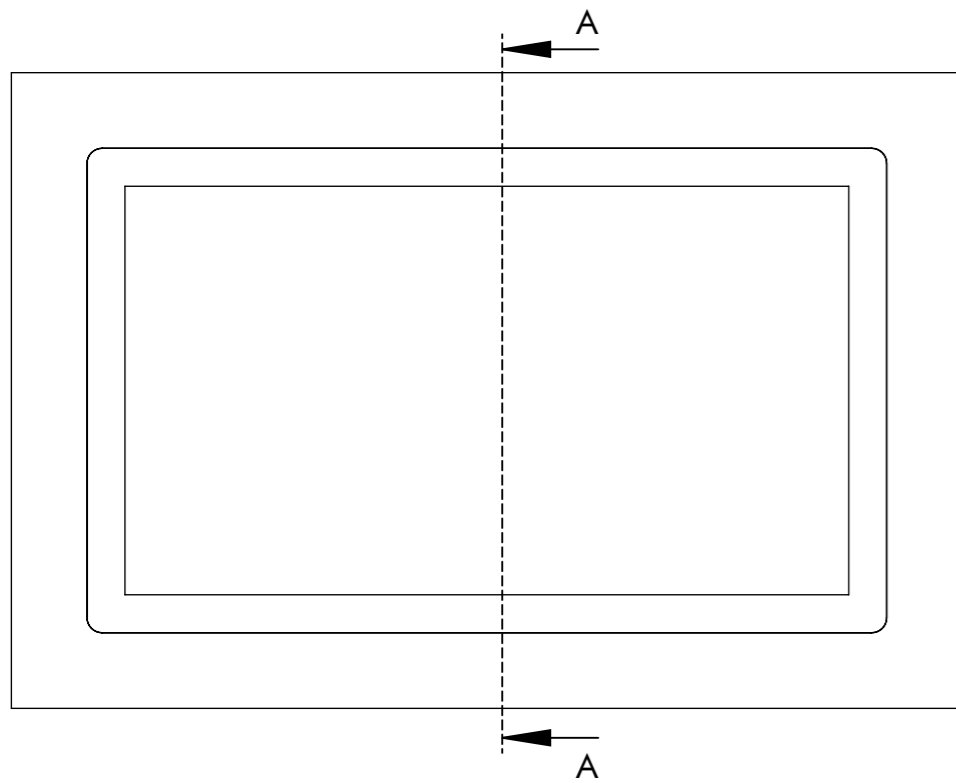
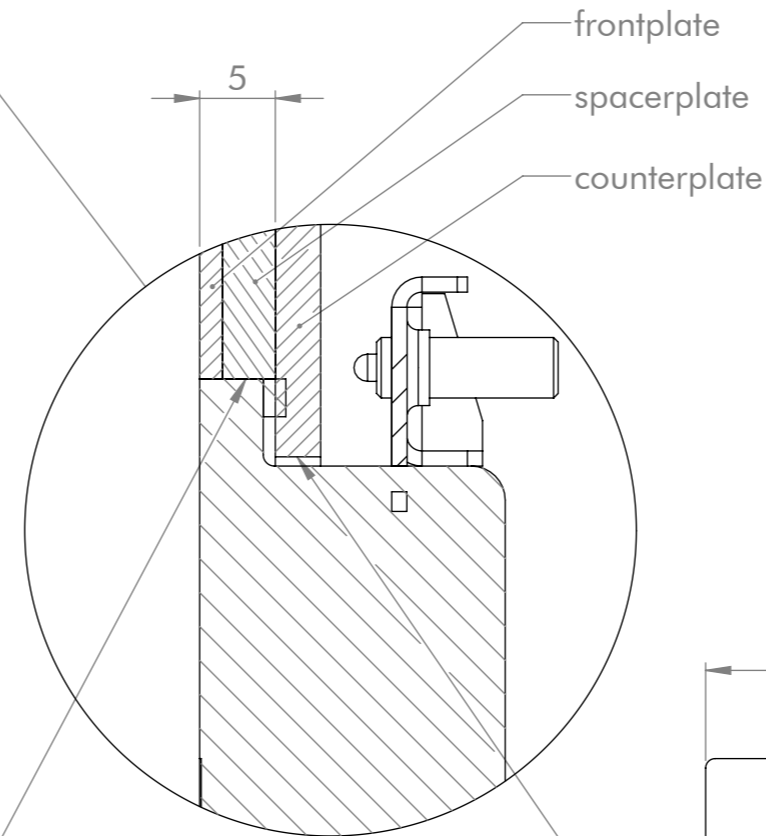


General tolerances DIN ISO 2768-mK			Drawn by: JT	Drawing for mechanical measurements only. For more details see datasheet.	
Document type: general arrangement drawing			Proved by: EN	Article designation: Touch Industrial Open Frame 21.5	
			Release date: 2022-05-10	Drawing number: PA10010883	
Rev.	Date	Name			Scale: 1:4
					Page: 1/2
					A3

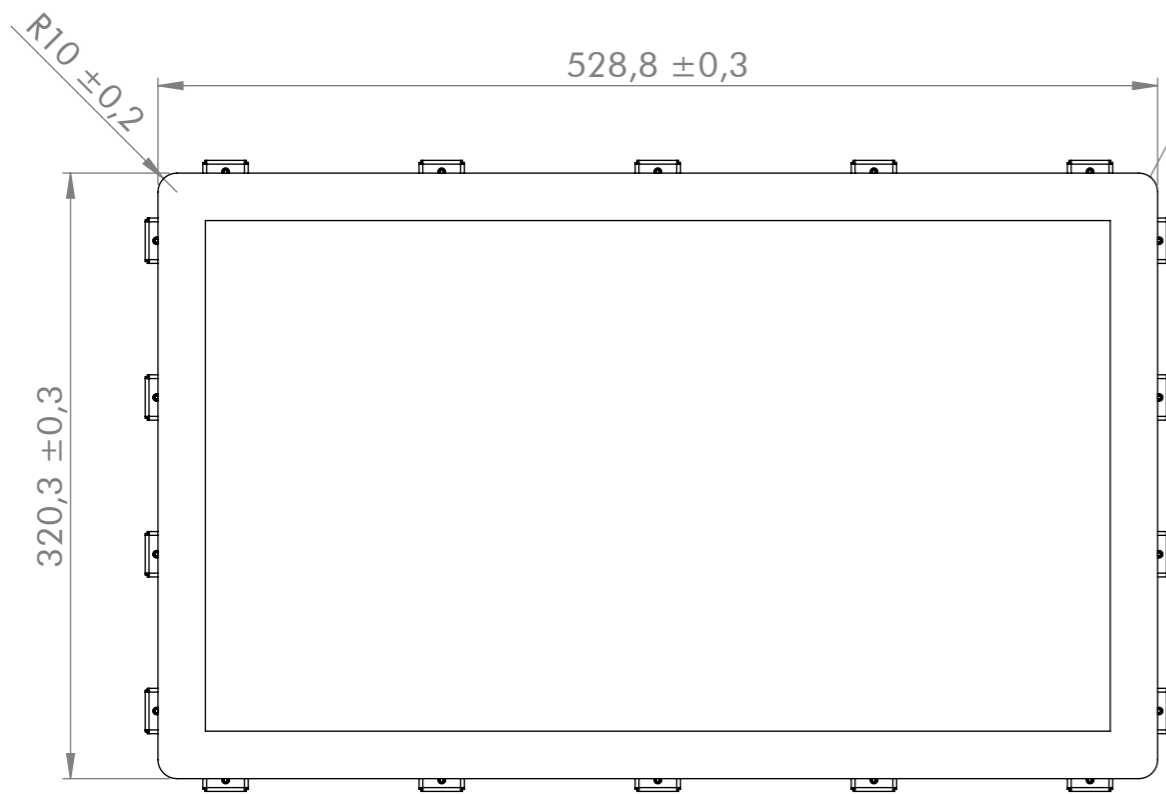
Proprietary notice ISO 16016 to be considered



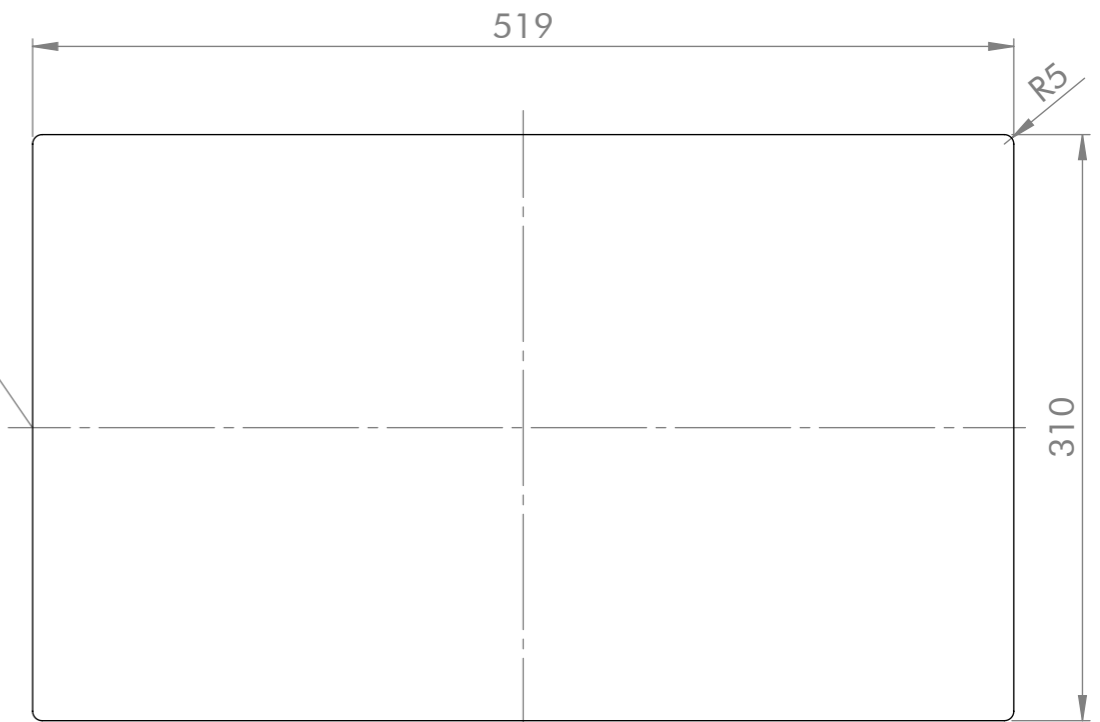
A-A (1 : 5)



DETAIL B
SCALE 2 : 1



cut-out front- & spacerplate*



cut-out counterplate

* The actual cut-out-dimensions of the front- and spacerplate need to be subjected to the prevalent assembly situation (production tolerances, ambient temperature, etc.) and therefore to be defined by the customer.

General tolerances DIN ISO 2768-mK		Drawn by: JT	Drawing for mechanical measurements only. For more details see datasheet.	
Document type: general arrangement drawing		Proved by: EN	Article designation: Touch Industrial Open Frame 21.5	
		Release date: 2022-05-10		
			Drawing number: PA10010883	Scale: 1:4
Rev.	Date			Page: 2/2
		Proprietary notice ISO 16016 to be considered		A3