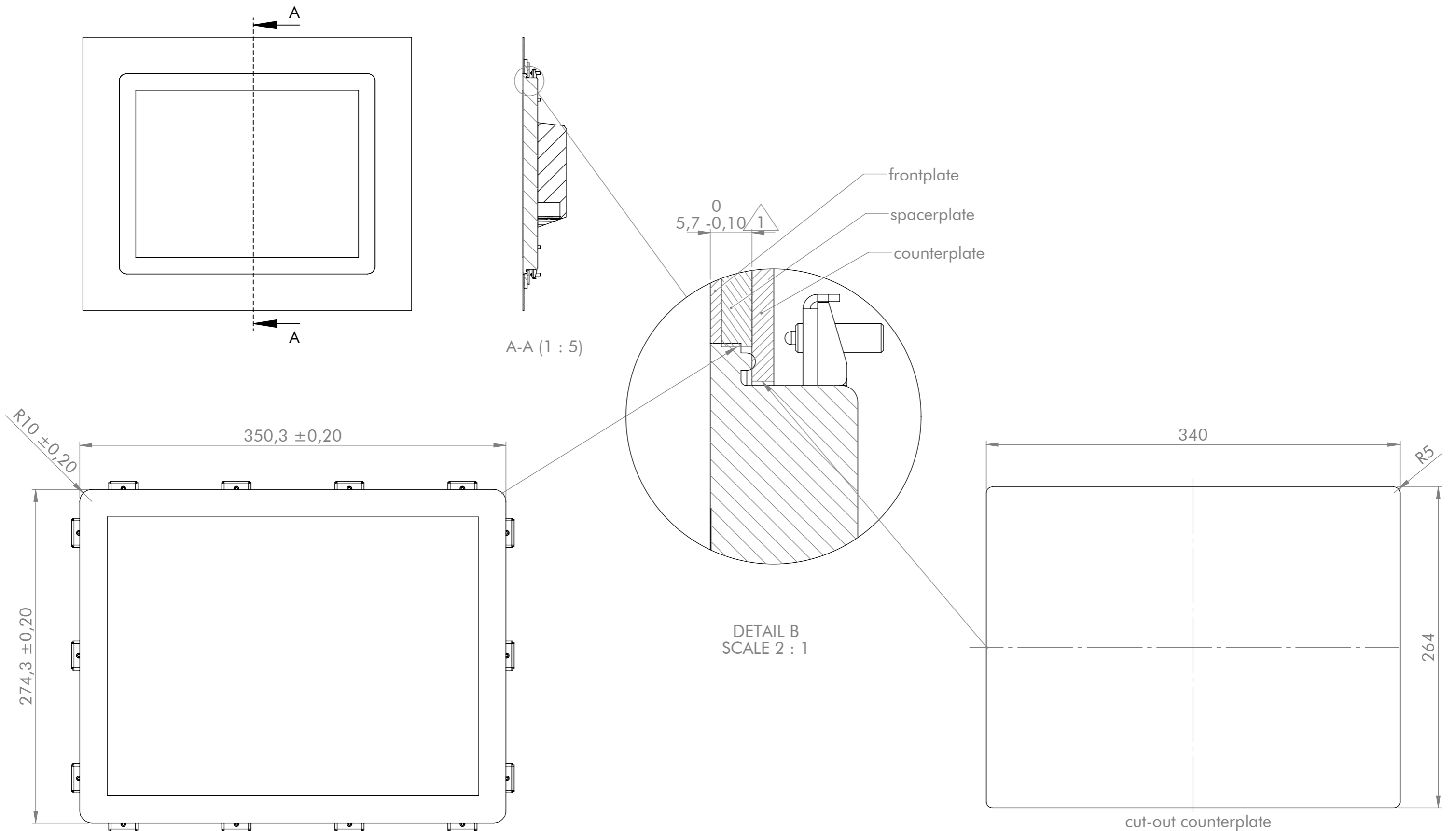


General tolerances DIN ISO 2768-mK			Drawn by: EN	Drawing for mechanical measurements only. For more details see datasheet.	
Document type: general arrangement drawing			Proved by: CH	Article designation: Touch Industrial Open Frame 15	
			Release date: 2024-12-09		
				Drawing number: PA10010882	Scale: 1:3
01	2024-11-27	TN			Page: 1/2
Rev.	Date	Name			
Proprietary notice ISO 16016 to be considered					
					A3



cut-out front- & spacerplate*

DETAIL B
SCALE 2 : 1

cut-out counterplate

* The actual cut-out-dimensions of the front- and spacerplate need to be subjected to the prevalent assembly situation (production tolerances, ambient temperature, etc.) and therefore to be defined by the customer.

1 IP protection compliance has to be verified by the customer after assembly.

General tolerances DIN ISO 2768-mK			Drawn by: EN	Drawing for mechanical measurements only. For more details see datasheet.	
Document type: general arrangement drawing			Proved by: CH	Article designation: Touch Industrial Open Frame 15	
			Release date: 2024-12-09		
				Drawing number: PA10010882	Scale: 1:3
01	2024-11-27	TN			Page: 2/2
Rev.	Date	Name			
Proprietary notice ISO 16016 to be considered					