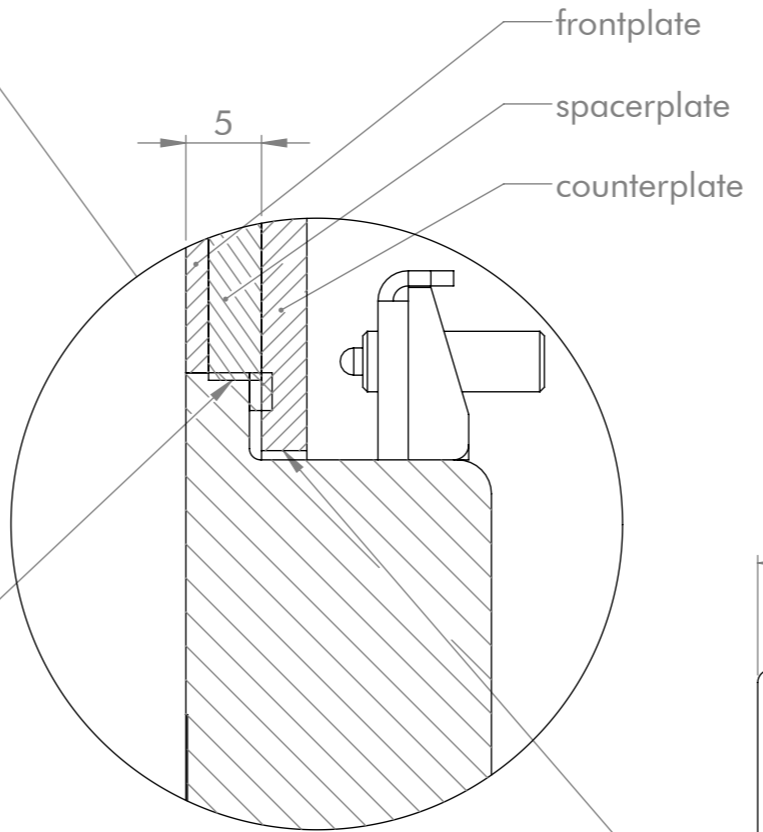
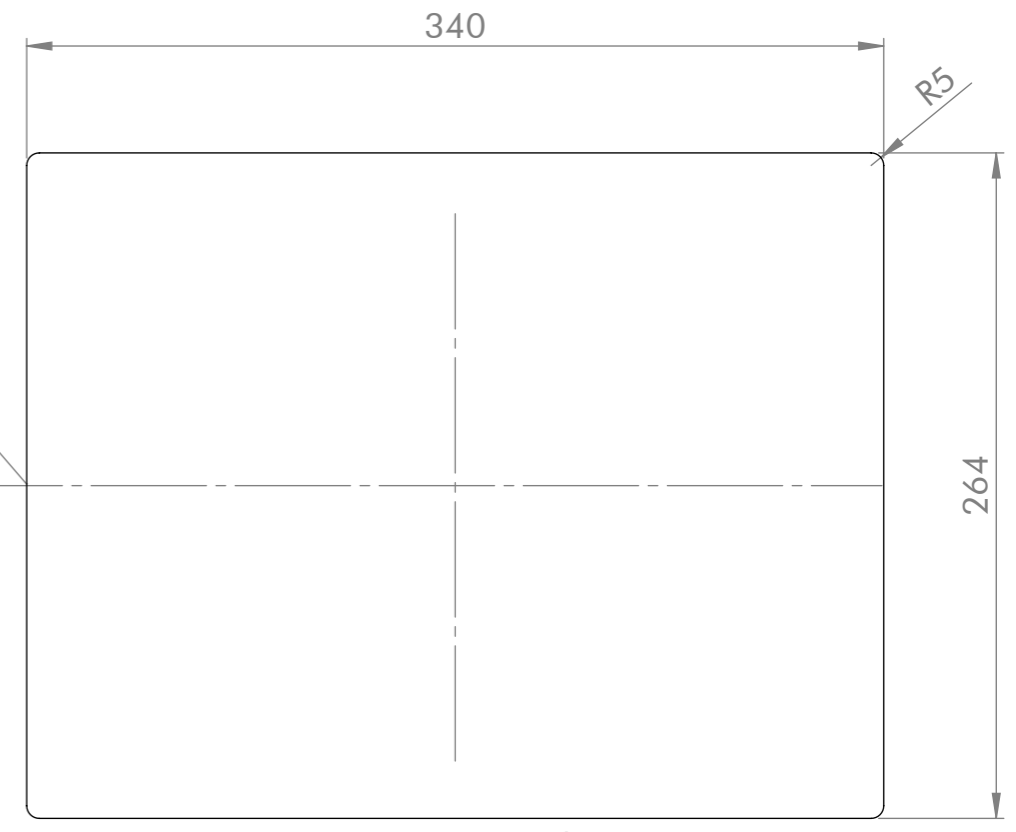


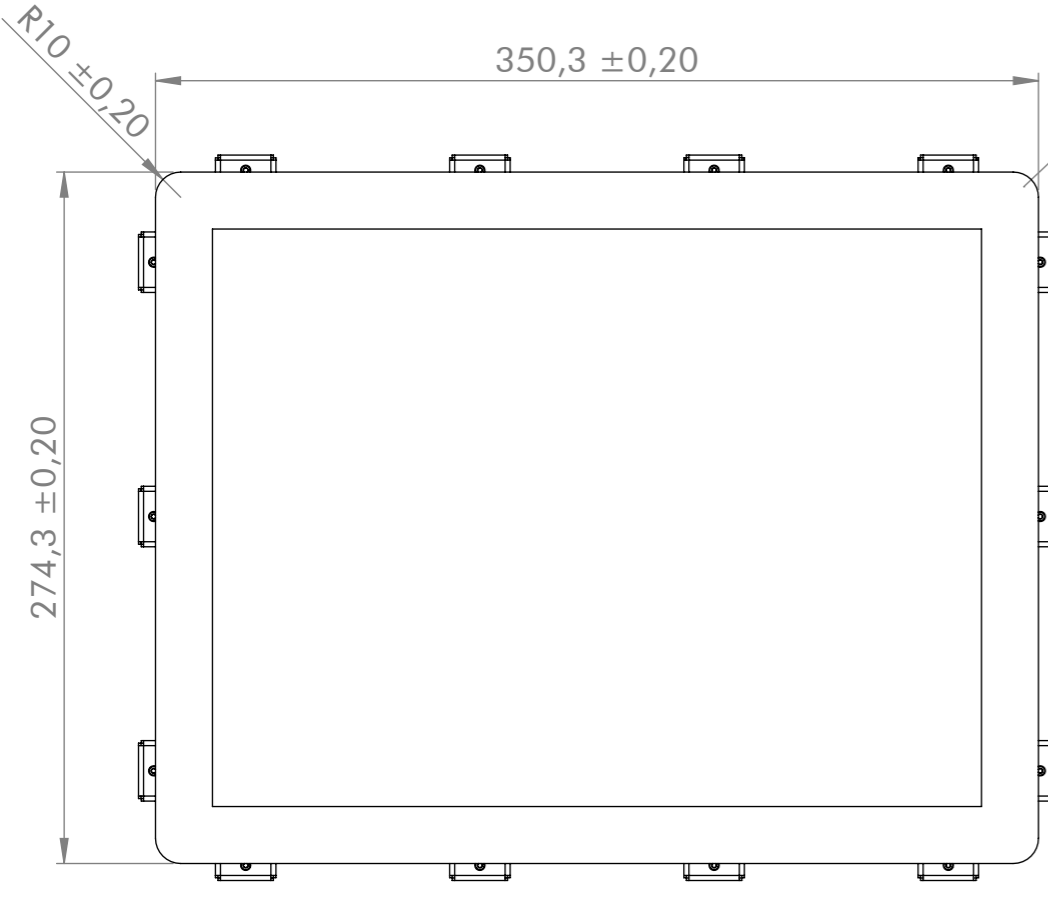
A-A (1 : 5)



DETAIL B
SCALE 2 : 1



cut-out counterplate



cut-out front- & spacerplate*

* The actual cut-out-dimensions of the front- and spacerplate need to be subjected to the prevalent assembly situation (production tolerances, ambient temperature, etc.) and therefore to be defined by the customer.

General tolerances DIN ISO 2768-mK		Drawn by: EN	Drawing for mechanical measurements only. For more details see datasheet.	
Document type: general arrangement drawing		Proved by: CH	Article designation: Touch Industrial Open Frame 15	
		Release date: 2022-05-10		
			Drawing number: PA10010882	Scale: 1:3
Rev.	Date		Name	Page: 2/2
Proprietary notice ISO 16016 to be considered				
			A3	