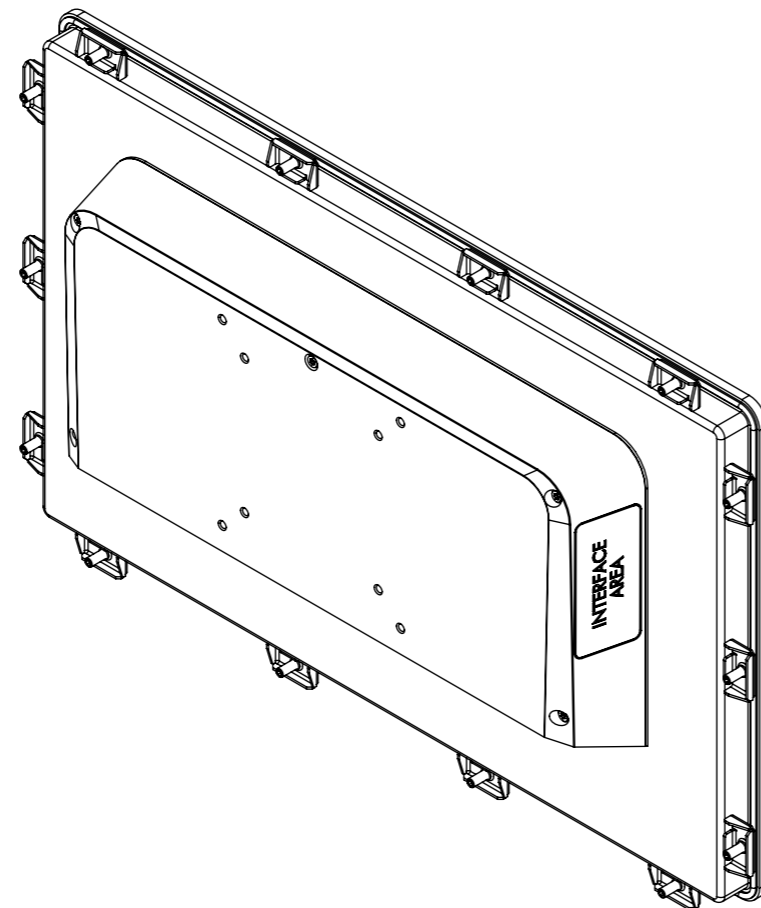
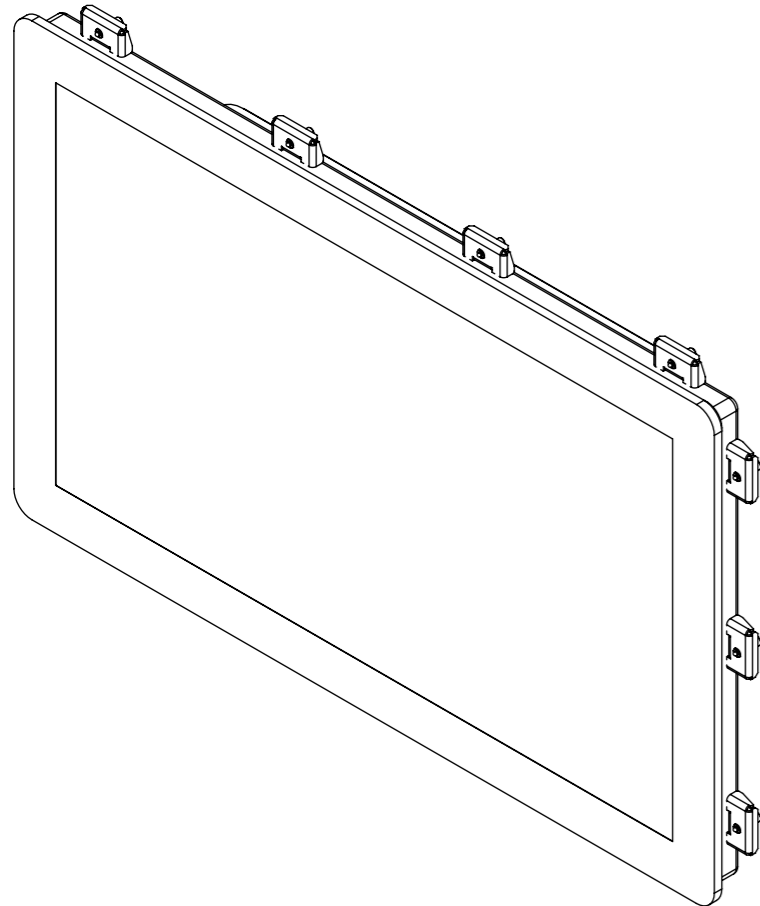
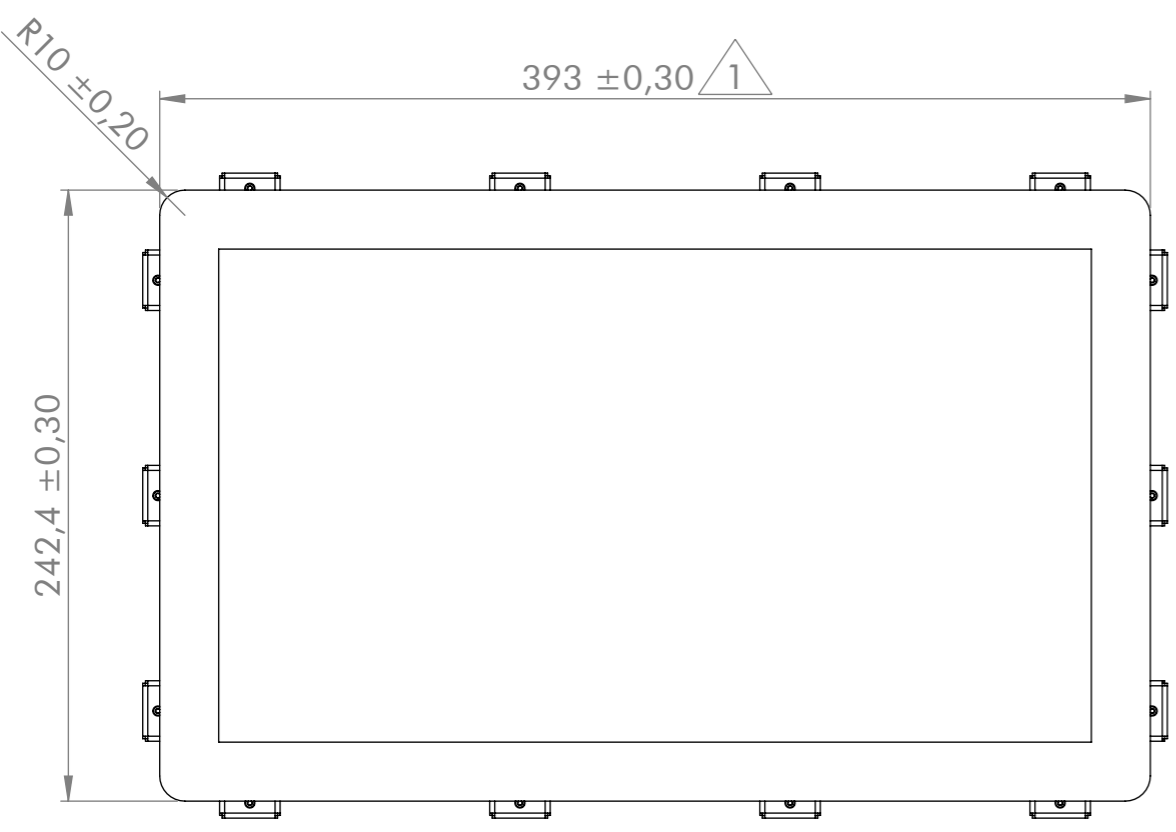
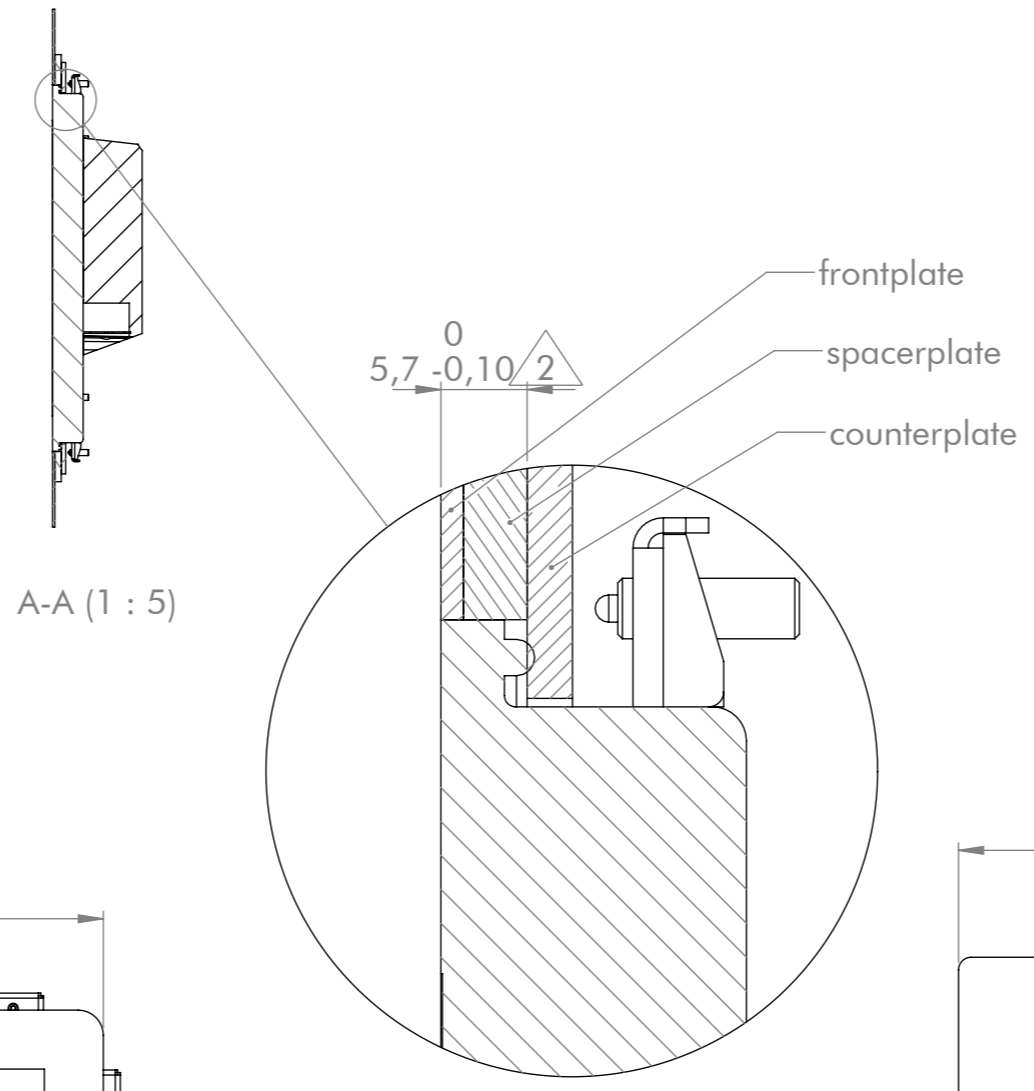
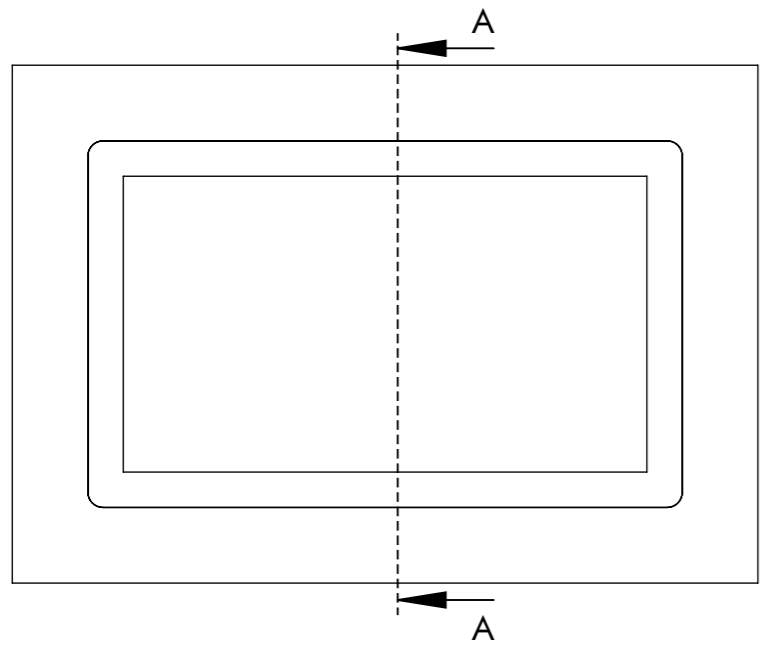


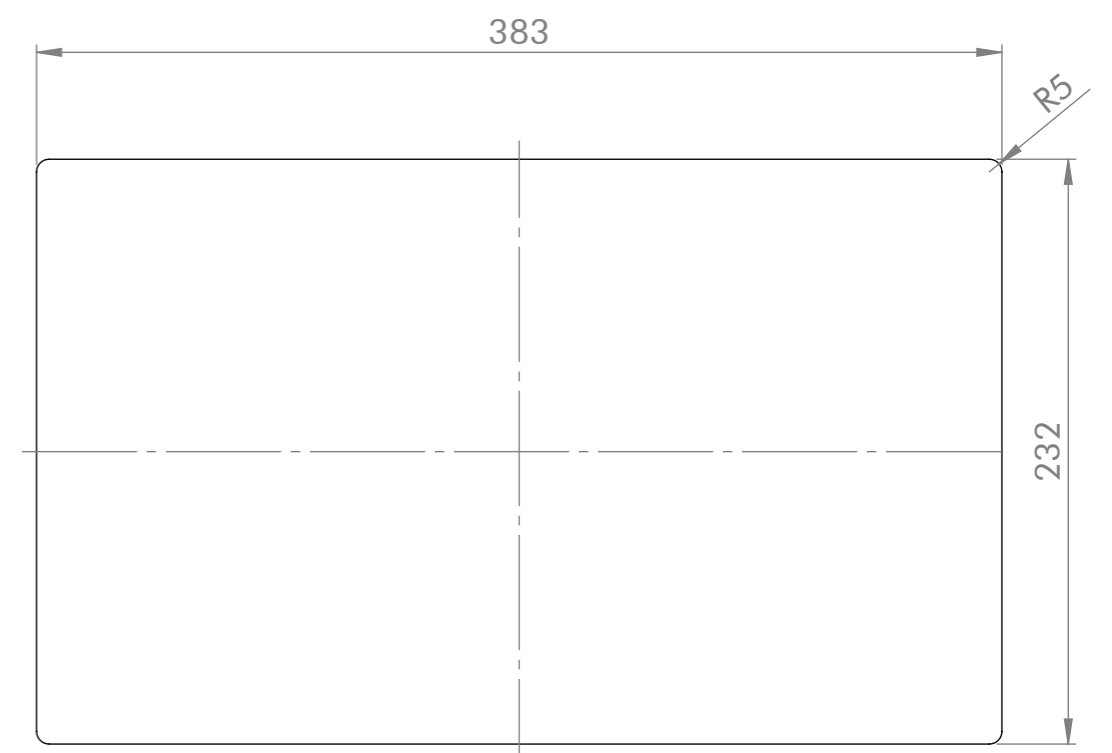
2 The earthing lug has been rotated by 90°.



General tolerances DIN ISO 2768-mK			Drawn by: EN	Drawing for mechanical measurements only. For more details see datasheet.	
Document type: general arrangement drawing			Proved by: CH	Article designation: Touch Industrial Open Frame 15.6	
			Release date: 2024-11-29	Drawing number: PA10010875	
02	2024-11-28	TN		Scale: 1:3	
01	2022-05-31	CH		Page: 1/2	
Rev.	Date	Name		A3	
Proprietary notice ISO 16016 to be considered					



cut-out front- & spacerplate*



cut-out counterplate

* The actual cut-out-dimensions of the front- and spacerplate need to be subjected to the prevalent assembly situation (production tolerances, ambient temperature, etc.) and therefore to be defined by the customer.

$\triangle 2$ IP protection compliance has to be verified by the customer after assembly.

General tolerances DIN ISO 2768-mK			Drawn by: EN	Drawing for mechanical measurements only. For more details see datasheet.	
Document type: general arrangement drawing			Proved by: CH	Article designation: Touch Industrial Open Frame 15.6	
			Release date: 2024-11-29		
02	2024-11-28	TN	Christ ELECTRONIC SYSTEMS	Drawing number: PA10010875	Scale: 1:3
01	2022-05-31	CH			Page: 2/2
Rev.	Date	Name			A3
Proprietary notice ISO 16016 to be considered					