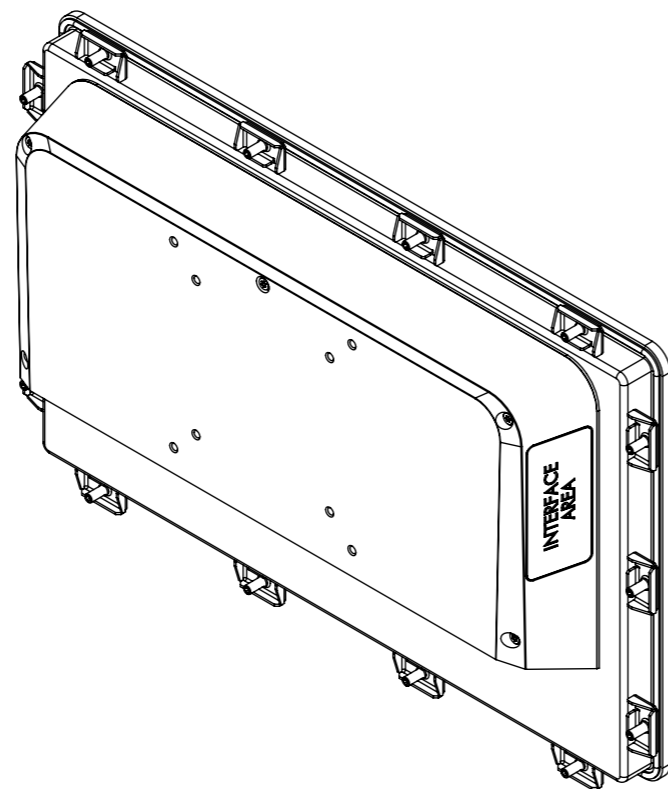
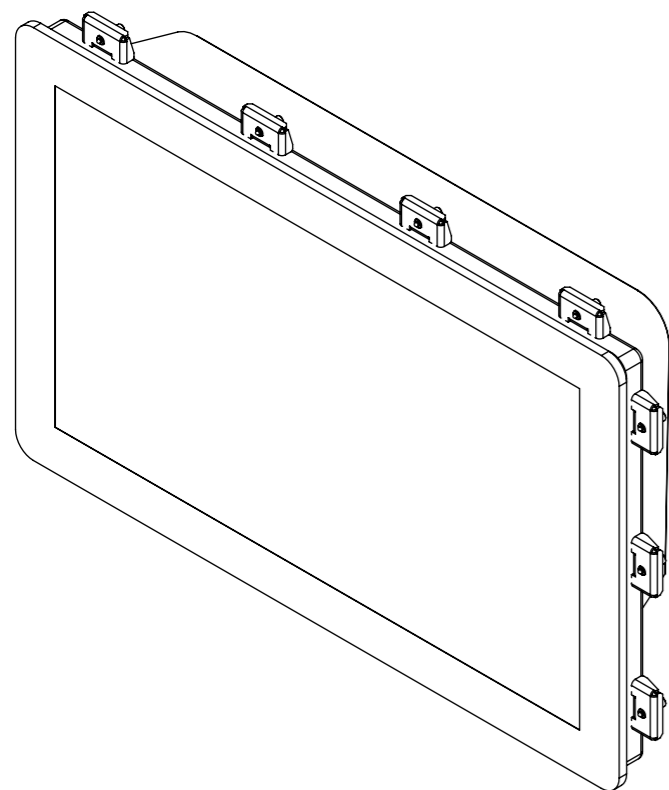

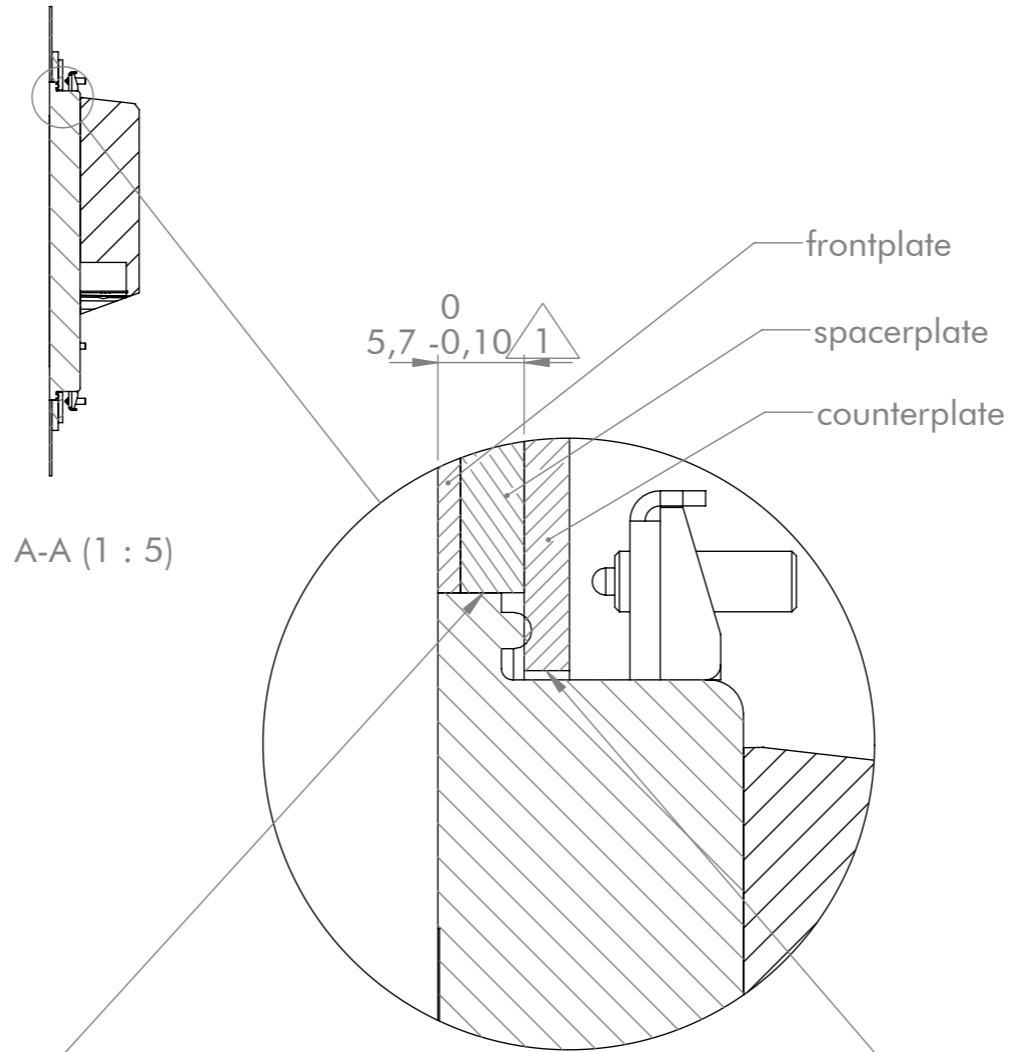
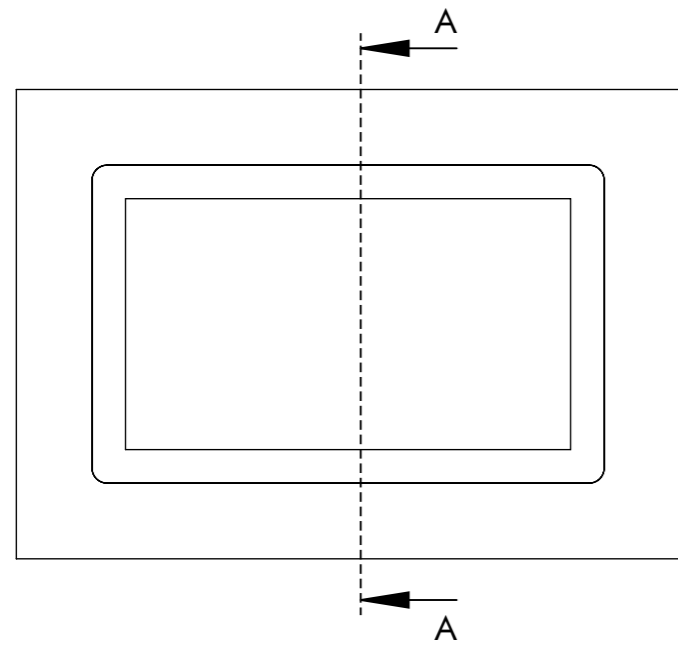


1 The earthing lug has been rotated by 90°.



General tolerances DIN ISO 2768-mK			Drawn by: EN	Drawing for mechanical measurements only. For more details see datasheet.	
Document type: general arrangement drawing			Proved by: CH	Article designation: <b>Touch Industrial Open Frame 13.3</b>	
			Release date: 2024-12-09	Drawing number: <b>PA10010874</b>	
01	2024-11-28	TN		Scale: 1:3	
Rev.	Date	Name		Page: 1/2	
Proprietary notice ISO 16016 to be considered					
				A3	



A-A (1 : 5)

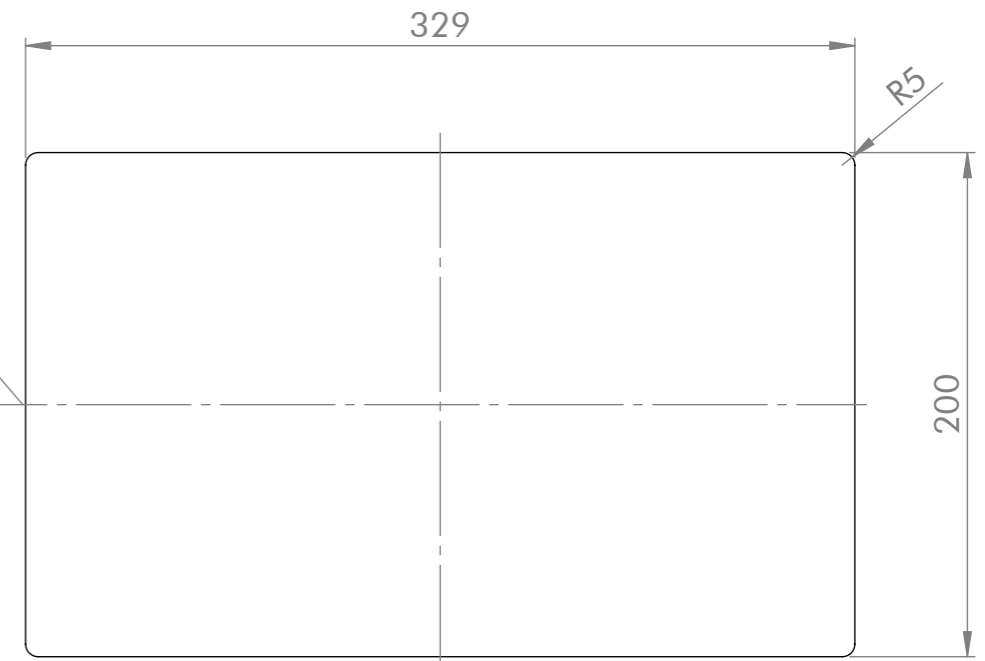
5,7 <sup>0</sup> -0,10  $\sqrt{1}$

frontplate

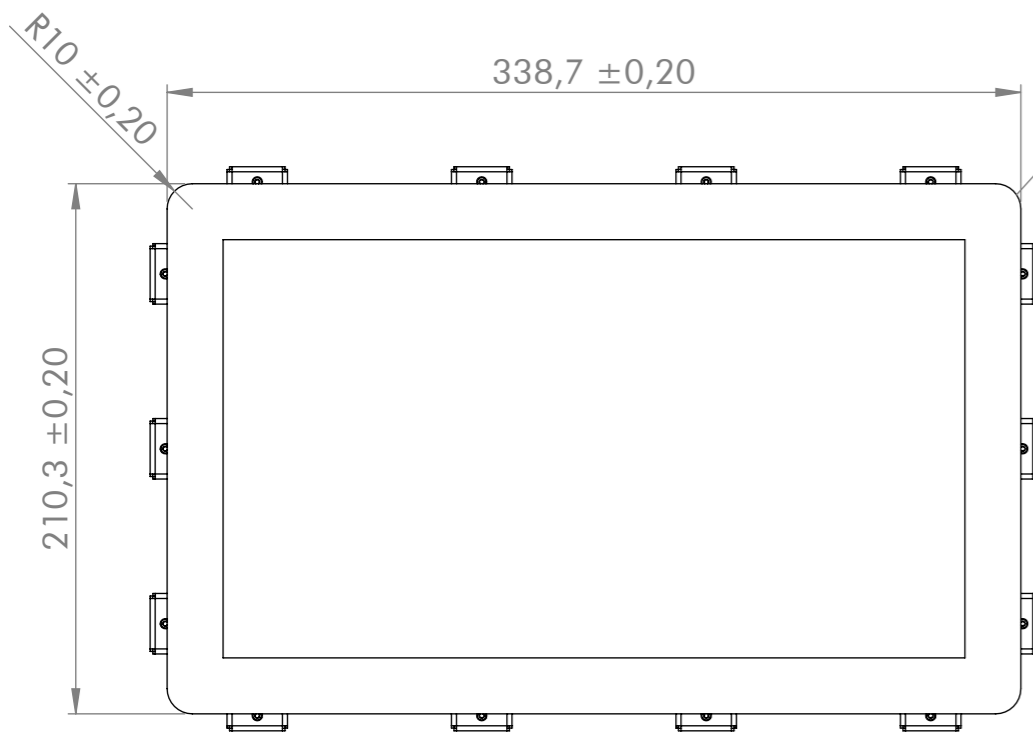
spacerplate

counterplate

DETAIL B  
SCALE 2 : 1



cut-out counterplate



cut-out front- & spacerplate\*

\* The actual cut-out-dimensions of the front- and spacerplate need to be subjected to the prevalent assembly situation (production tolerances, ambient temperature, etc.) and therefore to be defined by the customer.

$\sqrt{1}$  IP protection compliance has to be verified by the customer after assembly.

General tolerances DIN ISO 2768-mK			Drawn by: EN	Drawing for mechanical measurements only. For more details see datasheet.	
Document type: general arrangement drawing			Proved by: CH	Article designation: <b>Touch Industrial Open Frame 13.3</b>	
			Release date: 2024-12-09	Drawing number: <b>PA10010874</b>	
				Scale: <b>1:3</b>	
01	2024-11-28	TN		Page: <b>2/2</b>	
Rev.	Date	Name			<b>A3</b>
Proprietary notice ISO 16016 to be considered					