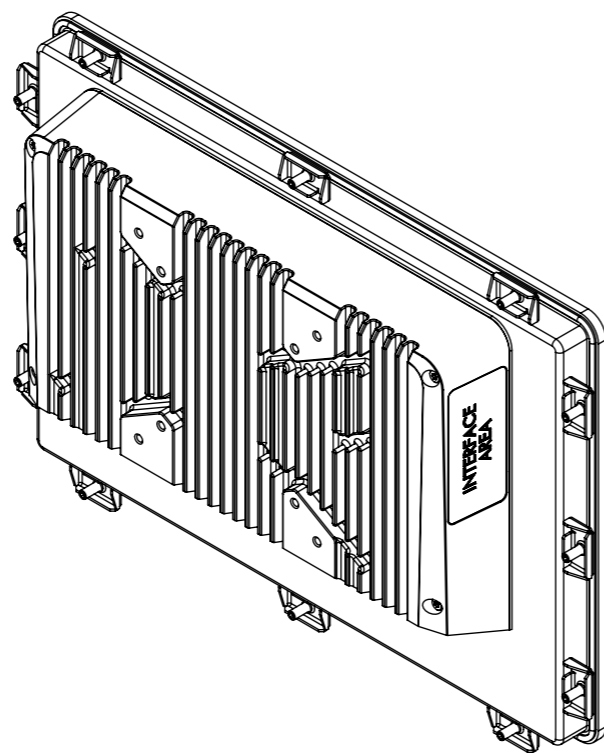
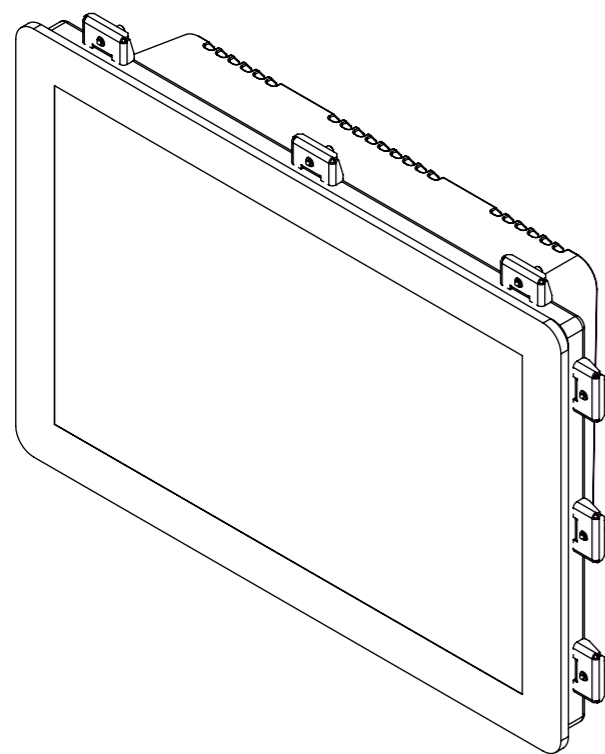
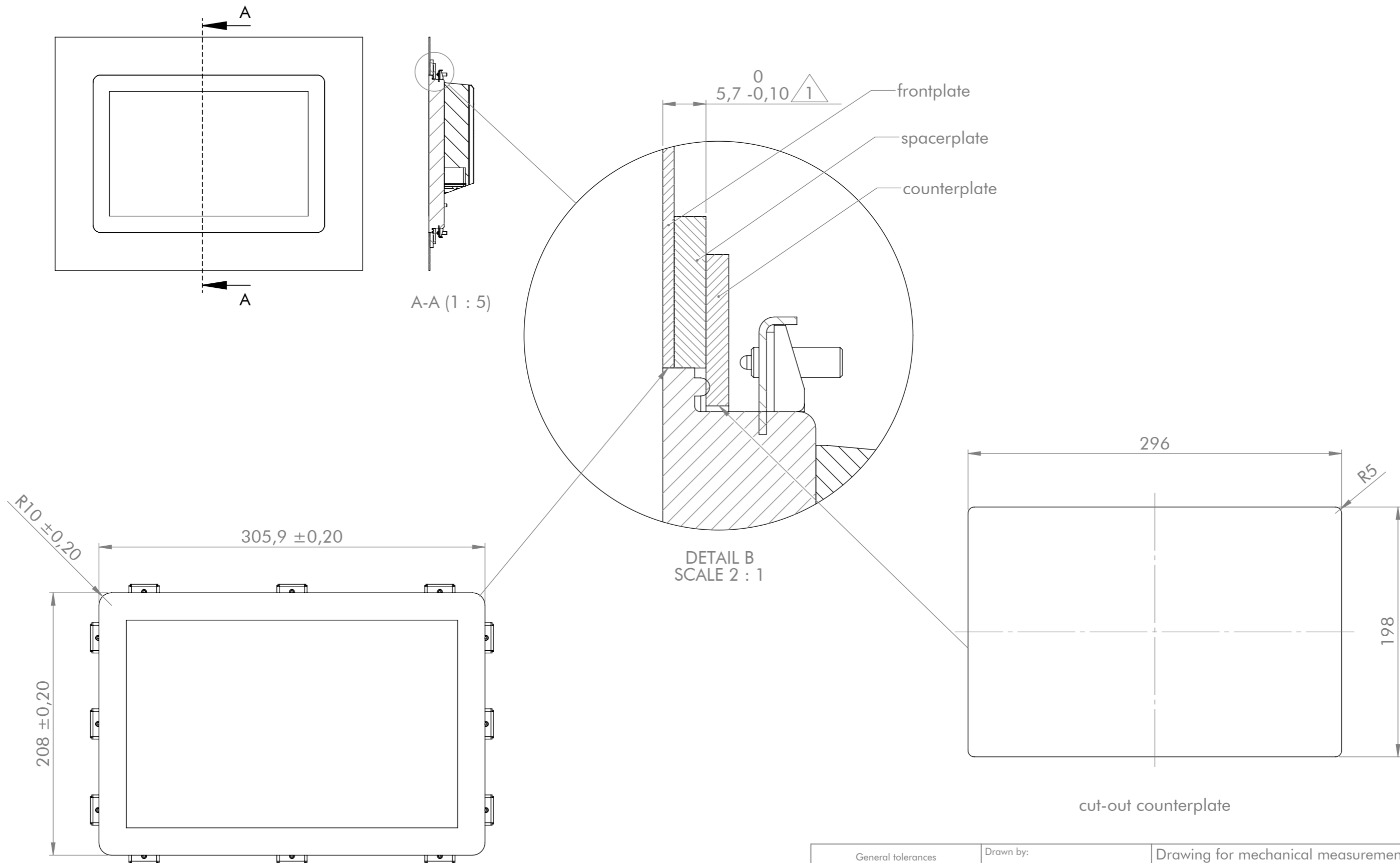


1 The earthing lug has been rotated by 90°.



General tolerances DIN ISO 2768-mK			Drawn by: CH	Drawing for mechanical measurements only. For more details see datasheet.	
Document type: general arrangement drawing			Proved by: AH	Article designation: Touch Industrial Open Frame 12.1	
			Release date: 2024-11-07	Drawing number: PA10010873	
01	2024-11-06	CH		Scale: 1:3	
Rev.	Date	Name		Page: 1/2	
Proprietary notice ISO 16016 to be considered					
				A3	



cut-out front- & spacerplate*

cut-out counterplate

* The actual cut-out-dimensions of the front- and spacerplate need to be subjected to the prevalent assembly situation (production tolerances, ambient temperature, etc.) and therefore to be defined by the customer.

1 IP protection compliance has to be verified by the customer after assembly.

General tolerances DIN ISO 2768-mK			Drawn by: CH	Drawing for mechanical measurements only. For more details see datasheet.	
Document type: general arrangement drawing			Proved by: AH	Article designation: Touch Industrial Open Frame 12.1	
			Release date: 2024-11-07		
				Drawing number: PA10010873	Scale: 1:3
01	2024-11-06	CH			Page: 2/2
Rev.	Date	Name	A3		
Proprietary notice ISO 16016 to be considered					