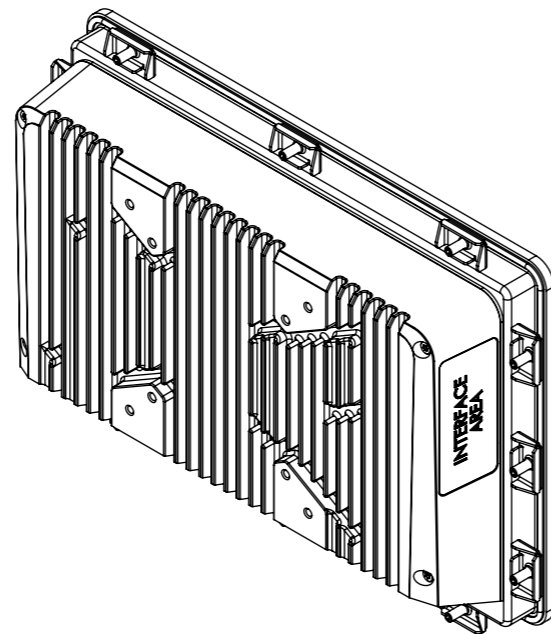
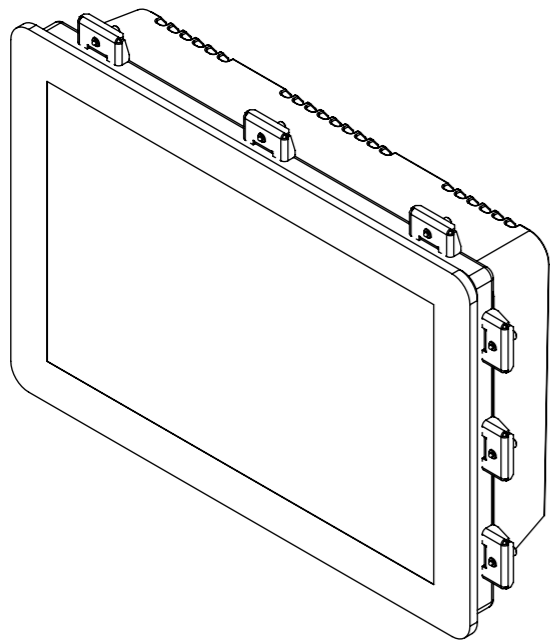

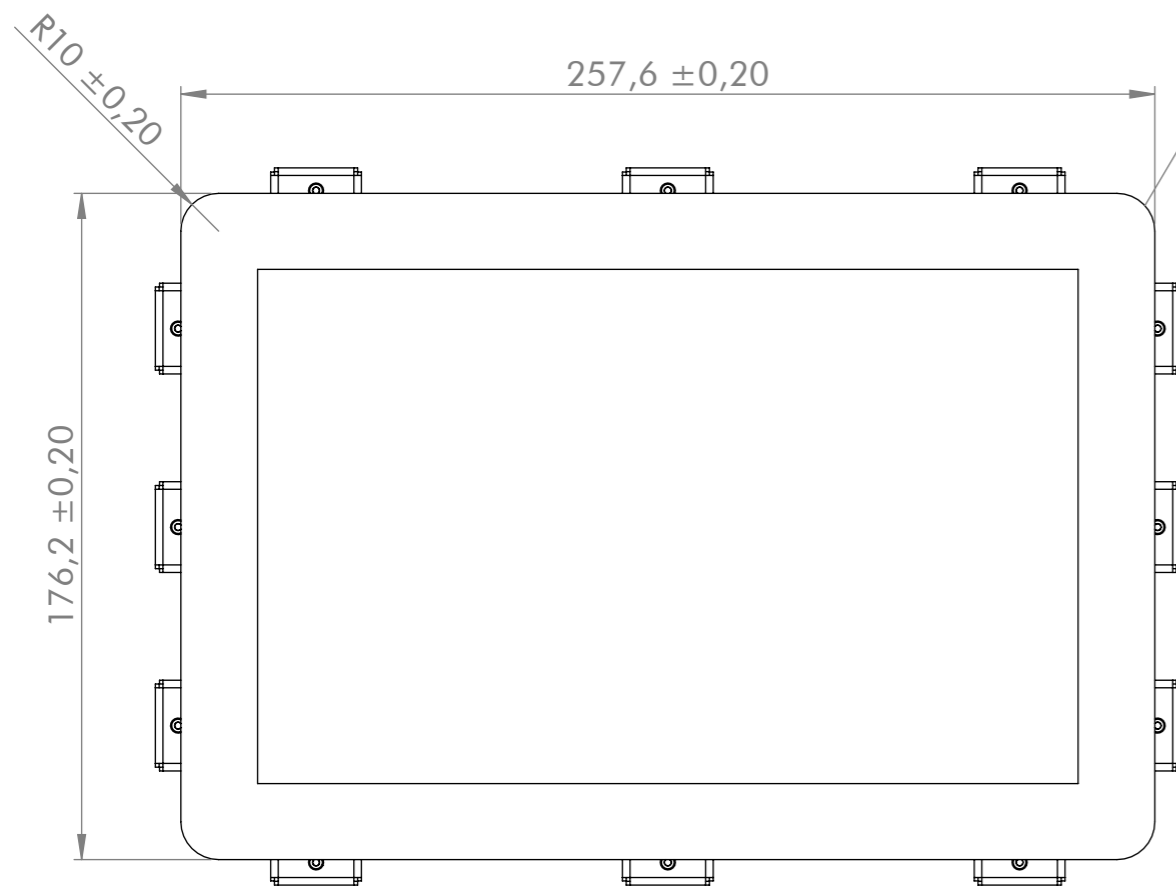
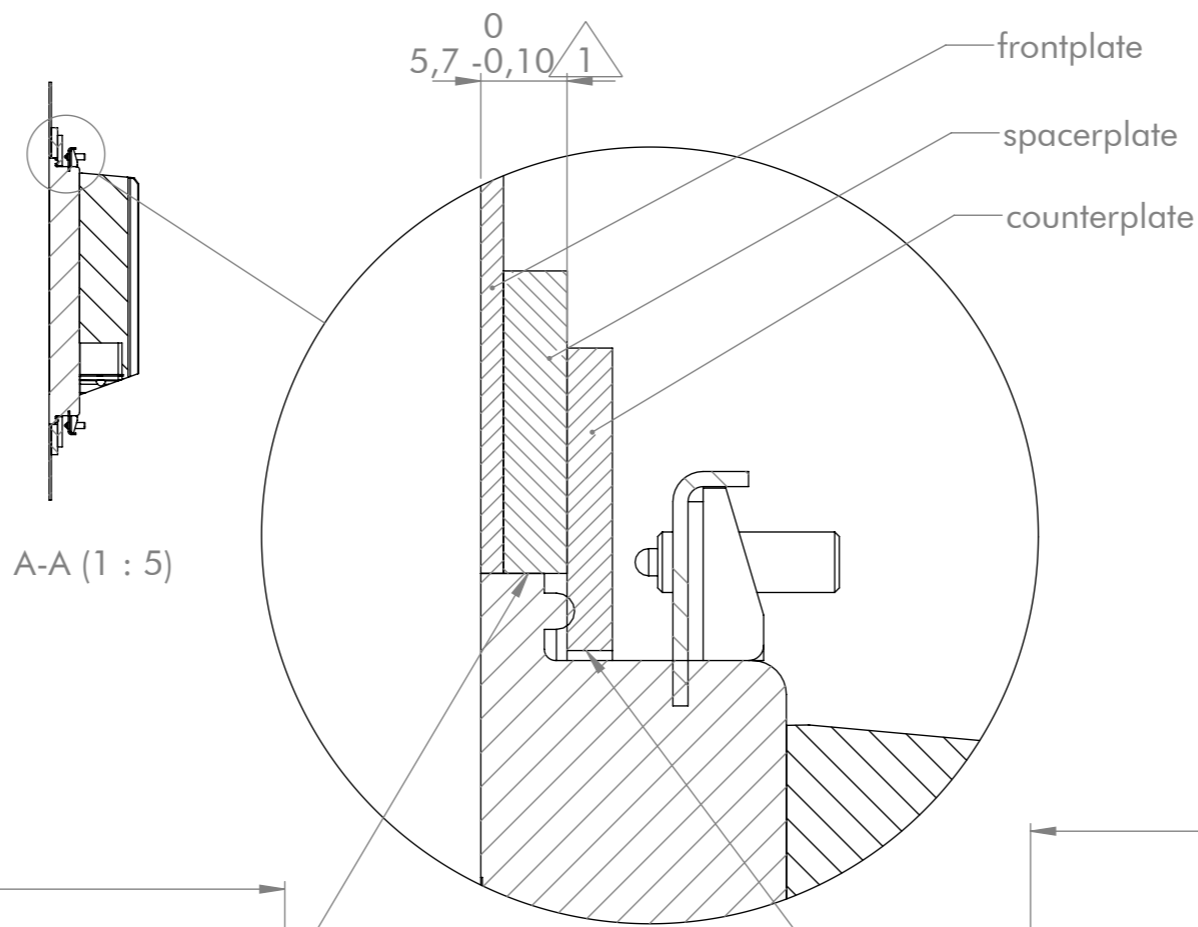
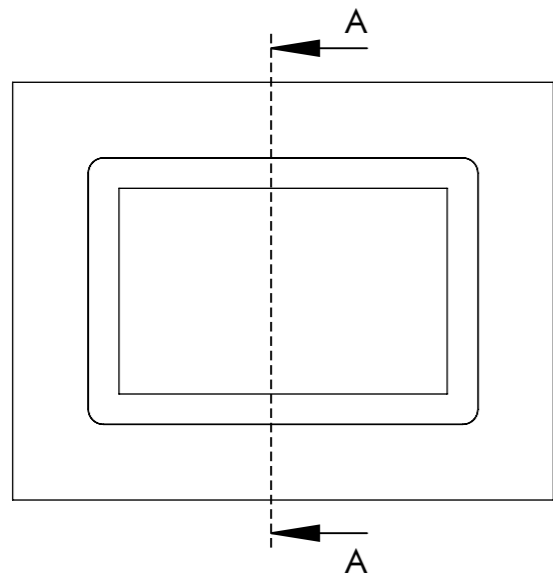


1 The earthing lug has been rotated by 90°.



General tolerances DIN ISO 2768-mK			Drawn by: CH	Drawing for mechanical measurements only. For more details see datasheet.	
Document type: general arrangement drawing			Proved by: CH	Article designation: Touch Industrial Open Frame 10.1	
			Release date: 2024-12-09		
				Drawing number: PA10010872	Scale: 1:3
01	2024-11-28	TN			Page: 1/2
Rev.	Date	Name			
Proprietary notice ISO 16016 to be considered					
					A3



cut-out front- & spacerplate\*



cut-out counterplate

DETAIL B  
SCALE 2 : 1

\* The actual cut-out-dimensions of the front- and spacerplate need to be subjected to the prevalent assembly situation (production tolerances, ambient temperature, etc.) and therefore to be defined by the customer.

IP protection compliance has to be verified by the customer after assembly.

General tolerances DIN ISO 2768-mK			Drawn by: CH	Drawing for mechanical measurements only. For more details see datasheet.	
Document type: general arrangement drawing			Proved by: CH	Article designation: <b>Touch Industrial Open Frame 10.1</b>	
			Release date: 2024-12-09	Drawing number: <b>PA10010872</b>	
				Scale: <b>1:2</b>	
01	2024-11-28	TN		Page: <b>2/2</b>	
Rev.	Date	Name			<b>A3</b>
Proprietary notice ISO 16016 to be considered					