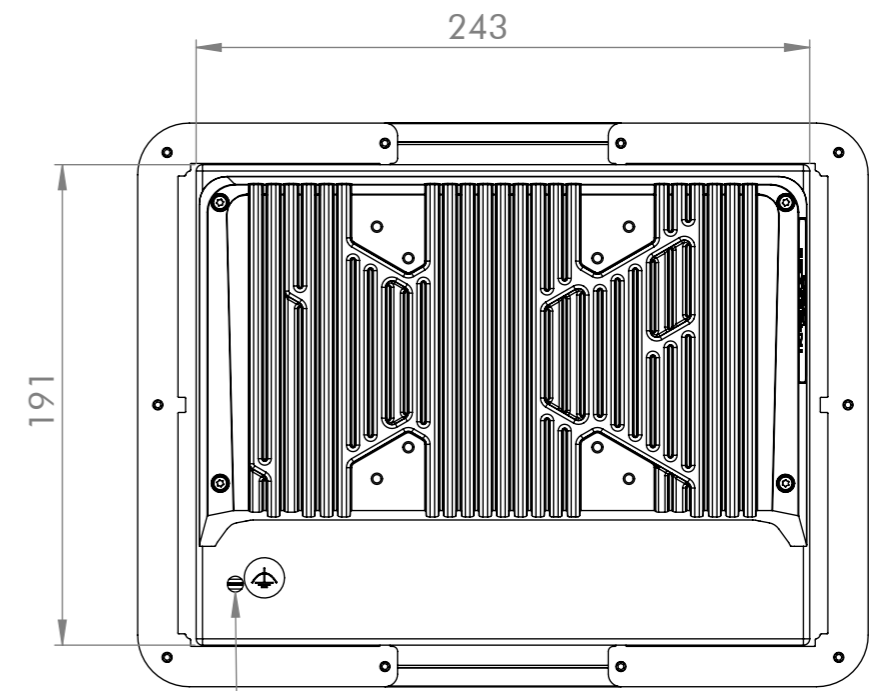
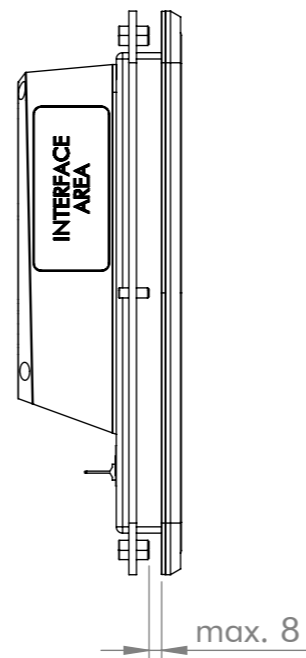
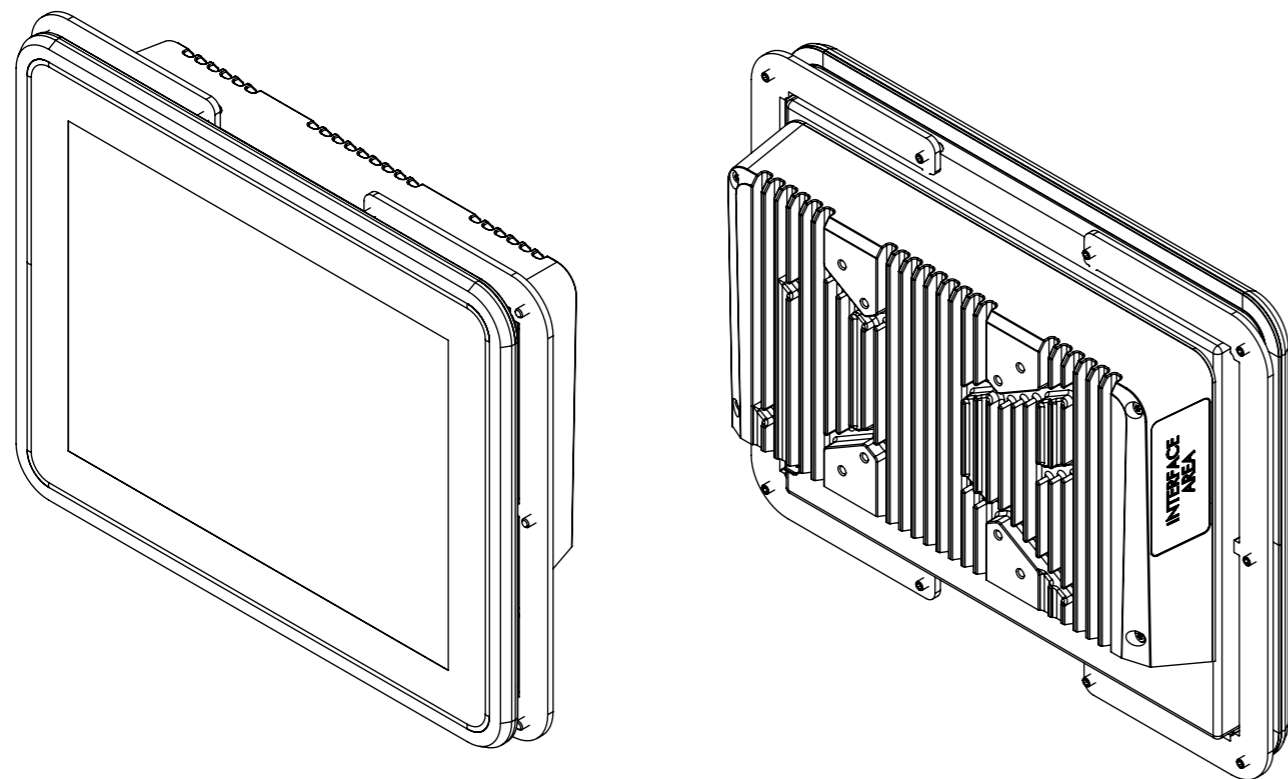
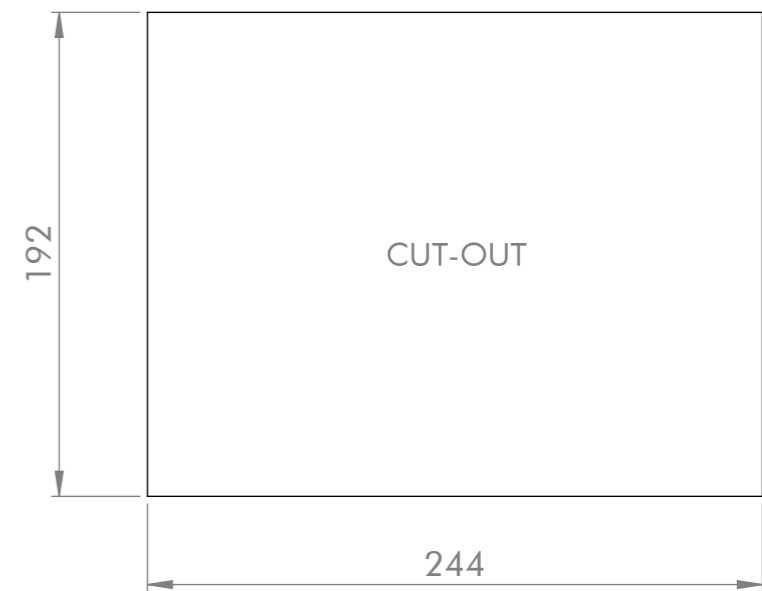


1 (Space required to insert the mounting plates)



1 The earthing lug has been rotated by 90°



General tolerances DIN ISO 2768-mK			Drawn by: CH	Drawing for mechanical measurements only. For more details see datasheet.	
Document type: general arrangement drawing			Proved by: CH	Article designation: Touch Hygienic Front Panel 10.4	
			Release date: 2024-06-12		
				Drawing number: PA10011328	Scale: 1:3
01	2024-05-03	MH			Page: 1/1
Rev.	Date	Name	A3		