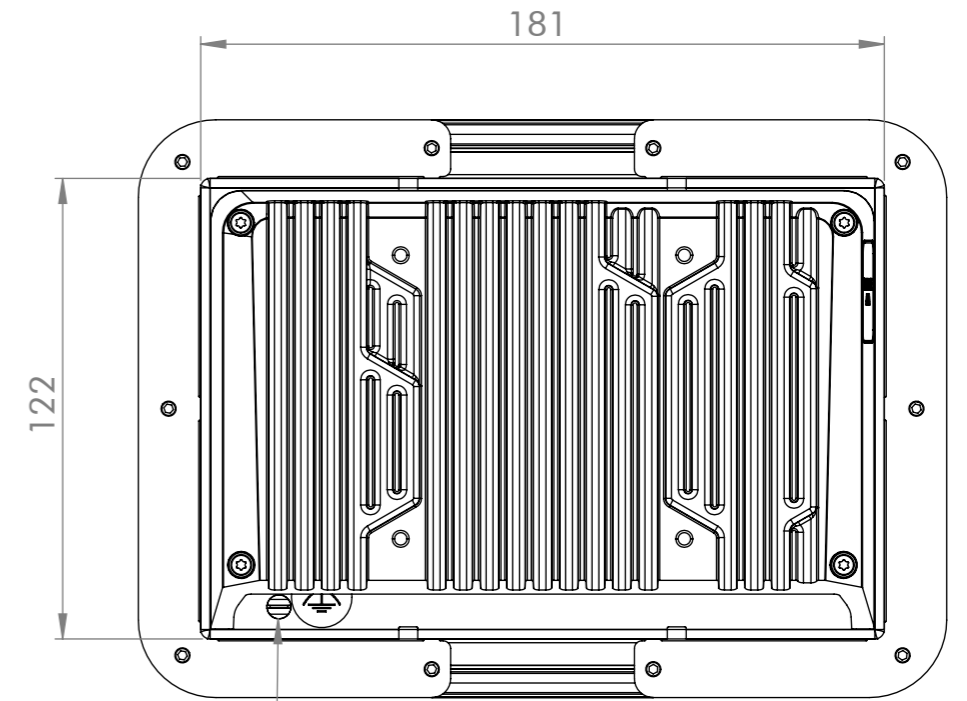
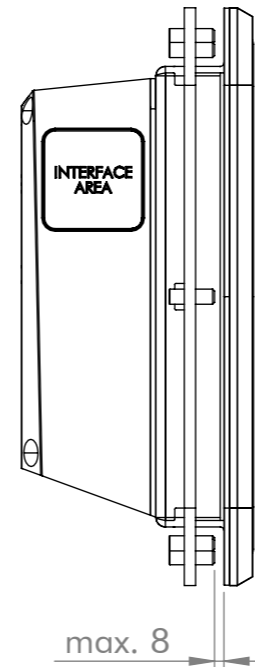
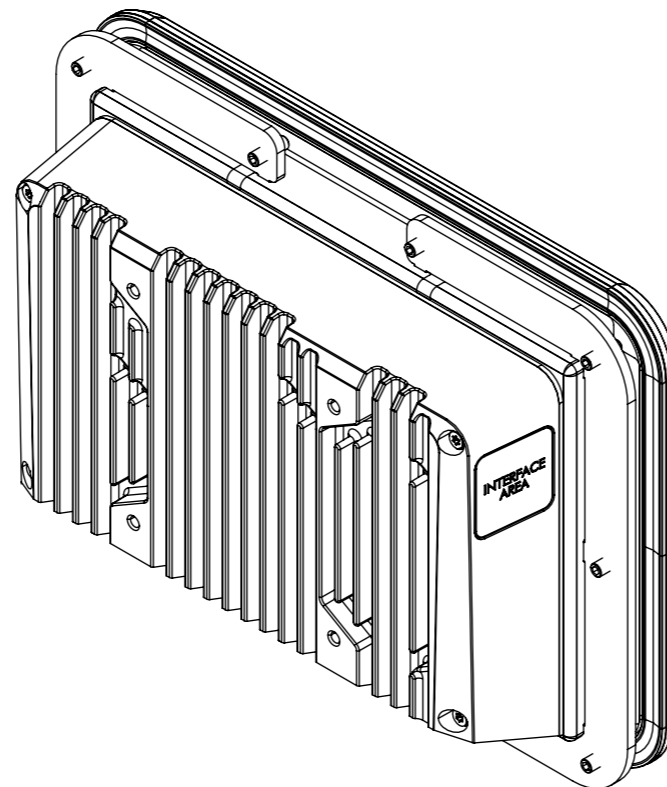
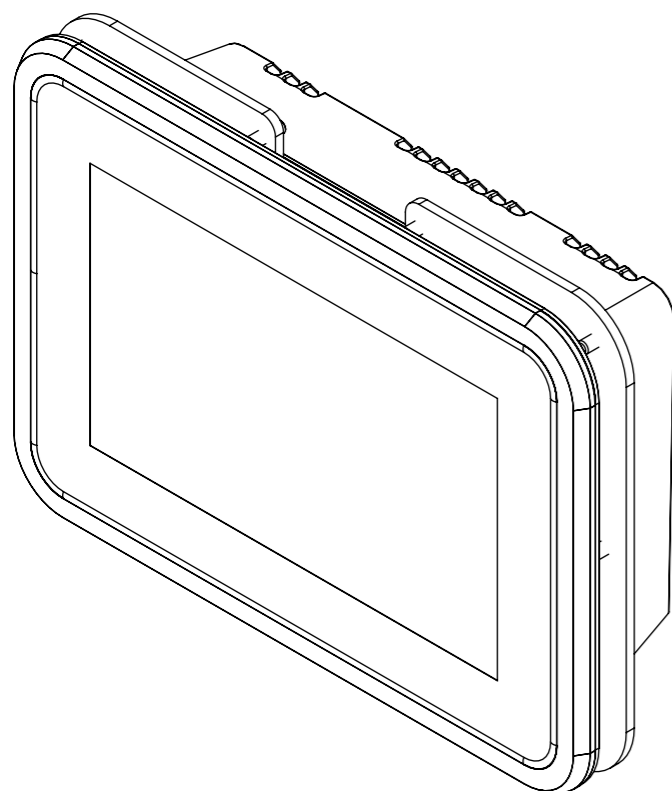
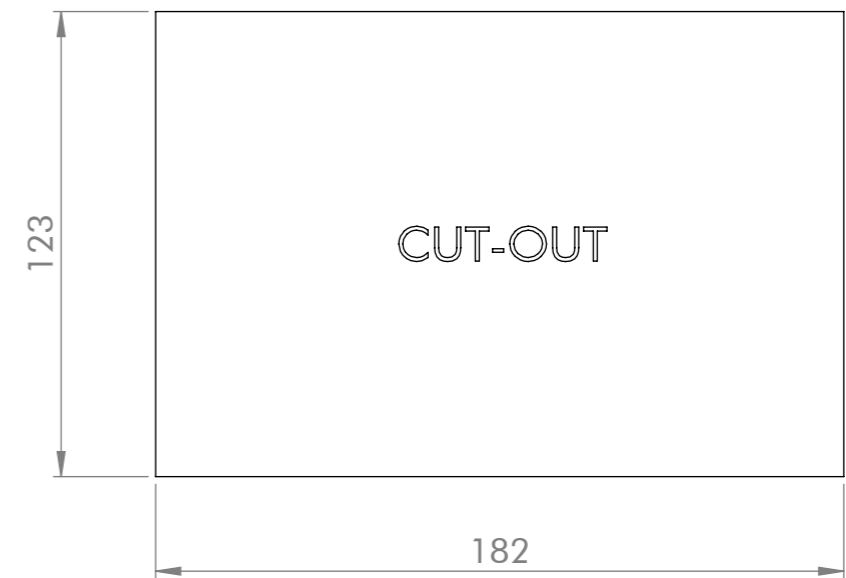


1 (Space required to insert the mounting plates)



1 The earthing lug has been rotated by 90°



General tolerances DIN ISO 2768-mK			Drawn by: AH	Drawing for mechanical measurements only. For more details see datasheet.	
Document type: general arrangement drawing			Proved by: CH	Article designation: Touch Hygienic Front Panel 7	
			Release date: 2024-05-13		
				Drawing number: PA10006768	Scale: 1:2
01	2024-04-26	MH			Page: 1/1
Rev.	Date	Name			A3
Proprietary notice ISO 16016 to be considered					